

Magnum<sup>®</sup>



The New Generation  
Hardware

An ISO 9001:2000 Certified Company

## The “Magnum” Hinge : An Introduction

- **“Magnum” brass hinges are manufactured from solid extruded brass profiles.**

Extrusion results in a solid, seam-less hinge blank with exceptional strength, and thus the extruded hinges have increased lateral and vertical load bearing capacity in comparison to a casted hinge of the same size. The precision milling and drilling of the extruded hinge knuckle results in an accurate and uniform fit as compared to a casted hinge.

- **“Magnum” brass hinges are coated with a special “Mega” finish instead of the normal spray or dipping lacquer.**

The “Mega” finish prevents the brass from tarnishing for years, regardless of weather conditions. It is also extremely resistant to ultra-violet, salt spray & acidic breakdown.

- **“Magnum” hinges are supplied with brass / stainless steel / steel wood / screws in respective finishes.**

No need to search for the right sizes & finishes of the screws as it is supplied with the products. The Philip head Screws are having firm grip and enhance aesthetic look of the hinges.

- **“Magnum” ball bearing hinges carry scientifically designed miniature ball bearings between the joints.**

The ball bearings facilitate in an increased lateral and vertical load bearing capacity. The ball bearings consist of stainless steel balls between two stainless steel construction, that avoids 'wear & tear" of the bearing, thus prolonging the life of the door and the door accessories.

- **“Magnum” hinges are lubricated with a special, clear 'Lubricant'.** It does not react badly to acute temperatures & therefore facilitates a 'butterfly' smooth and noise free operation at all times.

- **“Magnum” hinges are manufactured as per the latest 'ANSI' standards.** Zero-defect products meeting all the specifications of the architects.

- **“Magnum” hinges are supplied with a stainless steel 304 central pin.** The stainless steel central pin provides added durability & is highly resistant to rust. Results in noise free movement without getting jammed even in extreme weather condition.

- **“Magnum” are available in full range** Length from 2" to 12", Width from 2" to 5" & thickness from 2mm to 5mm take the advantage.

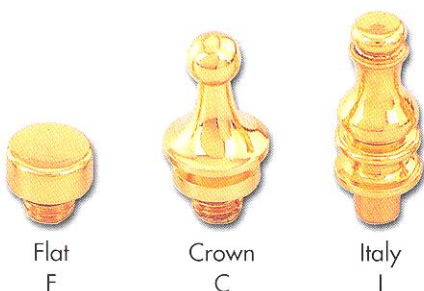
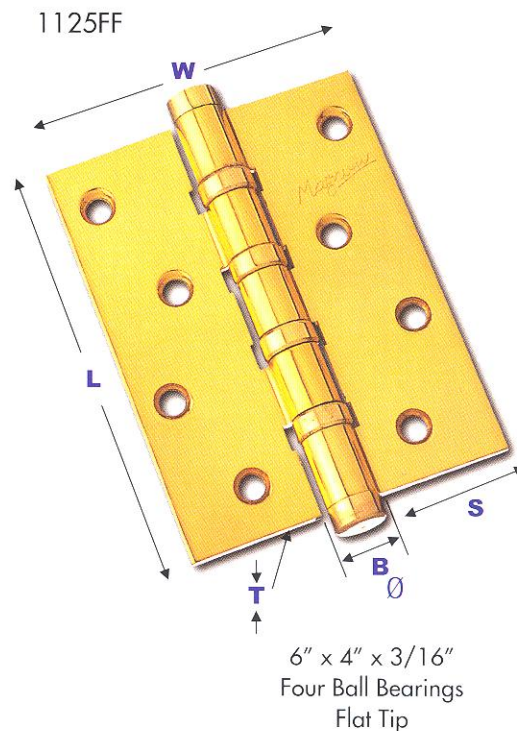
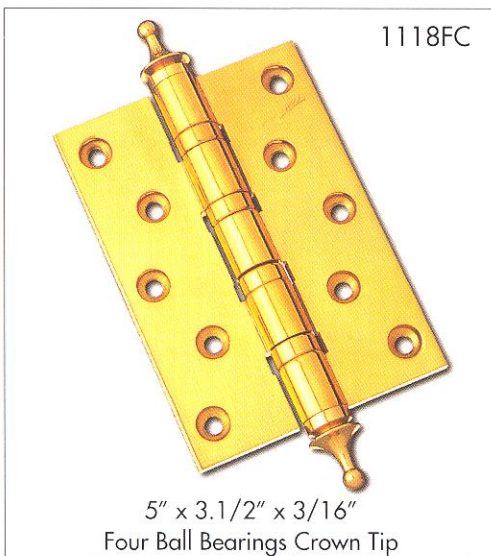
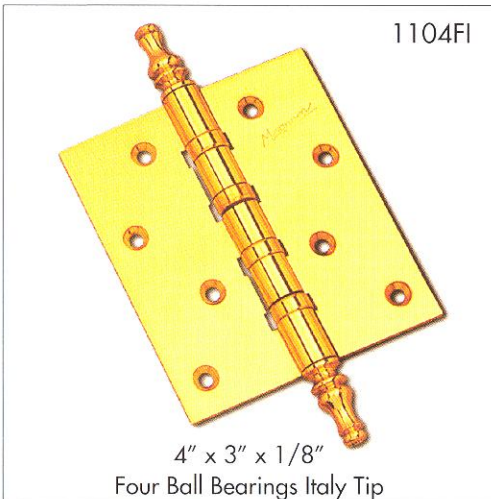
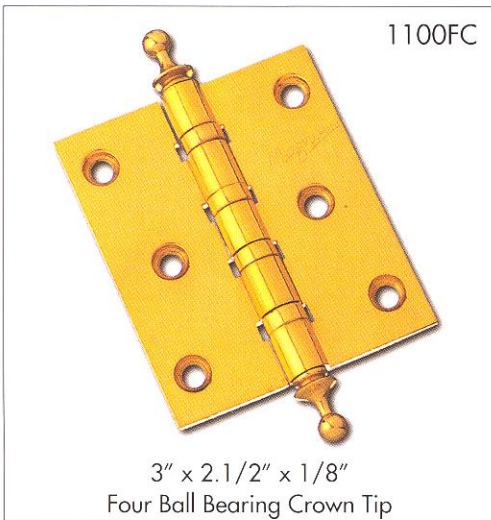
- Having manufacturing activity in Mumbai -we provide all technical support on phone request.

## "Magnum" Solid Extruded Brass Ball Bearings Hinges

Series **Solid Extruded Brass Full Mortise Hinges with four Ball Bearings**  
11

Code	Size in inch	Size in mm	Width of single leaf		Barrel Ø		Pcs per Inner Box	Pcs per Carton
	full open	with	inch	mm	inch	mm		
	L x W x T inch	L x W x T mm	S	S	B	B		
1100	3 x 2.1/2 x 1/8	76 x 64 x 3	1.00	25.40	1/2	12.7	10	160
1104	4 x 3 x 1/8	102 x 76 x 3	1.25	31.75	1/2	12.7	5	80
1105	4 x 3 x 5/32	102 x 76 x 4	1.25	31.75	1/2	12.7	5	80
1106	4 x 3.1/2 x 1/8	102 x 89 x 3	1.50	38.10	1/2	12.7	5	80
1107	4 x 3.1/2 x 5/32	102 x 89 x 4	1.50	38.10	1/2	12.7	5	80
1114	5 x 3 x 1/8	127 x 76 x 3	1.25	31.75	1/2	12.7	5	80
1115	5 x 3 x 5/32	127 x 76 x 4	1.25	31.75	1/2	12.7	5	80
1116	5 x 3.1/2 x 1/8	127 x 89 x 3	1.50	38.10	1/2	12.7	5	80
1117	5 x 3.1/2 x 5/32	127 x 89 x 4	1.50	38.10	1/2	12.7	5	80
1131	5 x 3 x 3/16	127 x 76 x 3	1.18	30.00	5/8	16.0	5	40
1118	5 x 3.1/2 x 3/16	127 x 89 x 5	1.50	38.10	5/8	16.0	5	40
1124	5 x 5 x 3/16	127 x 127 x 5	2.19	55.50	5/8	16.0	5	40
1132	6 x 3 x 3/16	152 x 76 x 5	1.38	35.00	5/8	16.0	5	40
1125	6 x 4 x 3/16	152 x 102 x 5	1.70	44.45	5/8	16.0	5	40
1126	6 x 3.1/2 x 3/16	152 x 89 x 5	1.45	36.50	5/8	16.0	5	40
1127	6 x 5 x 3/16	152 x 127 x 5	2.19	55.50	5/8	16.0	2	16
1128	8 x 5 x 3/16	203 x 127 x 5	2.10	53.50	3/4	20.0	2	16
1129	10 x 5 x 3/16	254 x 127 x 5	2.10	53.50	3/4	20.0	2	20
1130	12 x 5 x 3/16	305 x 127 x 5	2.10	53.50	3/4	20.0	2	20

- All Hinges come with flat finials as standard.
- All Ball Bearings Hinges are furnished with **solid brass wood screws** in respective finishes. Machine screws for Metal Door are available on special order.
- All the Hinges can be ordered with **Decorative finials** crown & Italy.
- The Hinges are available in **all the finishes**.



## "Magnum" Stainless Steel Grade 304 Hinges

9109SF



Full Mortise  
4" x 3" x 1/8"  
Two Side Ball Bearings Flat Tip

9206WF



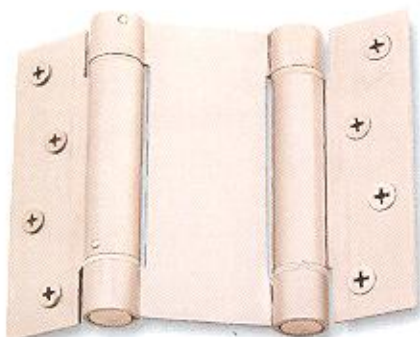
Lift Off With Washer Flat Tip  
4" x 3.3/8" x 1/8"

9603



Single Action Spring Loaded Self Closing  
4" x 3" x 1/8"

9624



Double Action Spring Loaded Self Closing  
4" x 3" x 1/8"

### Series 91 Stainless Steel Full Mortise Hinges With Two Ball Bearings

Code	Size in inch	Size in mm	Width of single leaf		Barrel Ø		Pcs per Inner Box	Pcs per Carton
	L x W x T	L x W x T	inch	mm	inch	mm		
9100	3 x 2.1/2 x 1/12	76 x 64 x 2	1.00	25.40	7/16	11.0	5	80
9106	3 x 3 x 1/8	76 x 76 x 3	1.25	31.75	9/16	14.0	5	80
9107	3.1/2 x 3.1/2 x 1/8	89 x 89 x 3	1.50	38.10	9/16	14.0	5	80
9109	4 x 3 x 1/8	102 x 76 x 3	1.25	31.75	9/16	14.0	5	80
9110	4 x 3.1/2 x 1/8	102 x 89 x 3	1.50	38.10	9/16	14.0	5	80
9111	4 x 4 x 1/8	102 x 102 x 3	1.75	44.45	9/16	14.0	5	80
9113	4.1/2 x 4 x 1/8	114 x 102 x 3	1.75	44.45	9/16	14.0	5	80
9115	4.1/2 x 4.12 x 0.124	114 x 114 x 3.40	2.00	51.00	9/16	14.0	5	80
9116	5 x 3.1/2 x 1/8	127 x 89 x 3	1.50	38.10	9/16	14.0	5	80
9118	5 x 3 x 1/8	127 x 76 x 3	1.25	31.75	9/16	14.0	5	80
9120	6 x 4.1/2 x 5/32	152 x 114 x 4	2.00	51.00	3/4	19.0	5	40

### Series 91 Stainless Steel Full Mortise Hinges Without Ball Bearings

Code	Size in inch	Size in mm	Width of single leaf		Barrel Ø		Pcs per Inner Box	Pcs per Carton
	L x W x T	L x W x T	inch	mm	inch	mm		
9101	2 x 2 x 1/12	52 x 52 x 2	0.61	21.00	7/16	11.0	12	120
9102	2.1/2 x 2.1/2 x 1/12	64 x 64 x 2	1.00	25.40	7/16	11.0	12	120
9103	3 x 2 x 1/12	76 x 52 x 2	0.61	21.00	7/16	11.0	12	120
9104	3 x 2.1/2 x 1/12	76 x 64 x 2	1.00	25.40	7/16	11.0	12	120
9111	4 x 3 x 1/12	102 x 76 x 2	1.25	32.50	7/16	11.0	12	120

### Series 92 Stainless Steel Lift Off Hinges With Washer

Code	Size in inch	Size in mm	Width of single leaf		Barrel Ø		Pcs per Inner Box	Pcs per Carton
	L x W x T	L x W x T	inch	mm	inch	mm		
9201	3.1/8 x 3.1/8 x 1/12	80 x 80 x 2	1.35	35.00	7/16	11.0	5	80
9205	3.1/2 x 3.1/2 x 1/8	90 x 90 x 3	1.35	35.00	5/8	16.0	5	80
9206	4 x 3.3/8 x 1/8	102 x 86 x 3	1.35	35.00	5/8	16.0	5	80
9207	4.3/4 x 3.3/8 x 1/8	120 x 86 x 3	1.35	35.00	5/8	16.0	5	80

### Series 93 & 94 Stainless Steel Rising & Falling Hinges

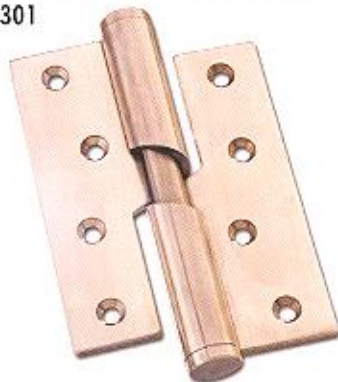
Code	Size in inch	Size in mm	Width of single leaf		Barrel Ø		Pcs per Inner Box	Pcs per Carton
	L x W x T	L x W x T	inch	mm	inch	mm		
<b>Rising Hinges</b>								
9301L	4 x 3 x 1/8 (Left)	102 x 76 x 3	1.18	30.00	5/8	16	5	80
9302R	4 x 3 x 1/8 (Right)	102 x 76 x 3	1.18	30.00	5/8	16	5	80
<b>Falling Hinges</b>								
9401L	4 x 3 x 1/8 (Left)	102 x 76 x 3	1.18	30.00	5/8	16	5	80
9402R	4 x 3 x 1/8 (Right)	102 x 76 x 3	1.18	30.00	5/8	16	5	80

### Series 96 Stainless Steel Spring Loaded Self Closing Hinges

Code	Size in inch	Size in mm	Width of single leaf		Barrel Ø		Pcs per Inner Box	Pcs per Carton
	L x W x T	L x W x T	inch	mm	inch	mm		
<b>Single Action (Oneway Closing)</b>								
9603	4 x 3 x 1/8	102 x 76 x 3	1.12	28.50	3/4	19	5	80
<b>Double Action (Free Swing)</b>								
9624	4 x 3 x 1/8	102 x 76 x 3	1.12	28.50	3/4	19	2	32

- 'Magnum' Stainless Steel Hinges are rolled from "First Prime Quality" stainless steel 304 sheets and are supplied standard with fixed flat finials.
- 'Magnum' Stainless Steel Hinges are furnished with Stainless Steel 304 wood screws. Stainless Steel Machine Screws are available on special order.
- 'Magnum' All Stainless Steel Hinges are with Matt Hairline finish.

9301



Rising Hinges  
4" x 3" x 1/8"

9103F



Full Mortise  
3" x 2" x 1/12"  
Flat Tip

## "Magnum" Solid Brass Flush Bolts & Cabin Hooks

### Series **Sliding Type Flush Bolts**

56

Code	Description	Size in inch	Size in mm	Pcs per Inner Box	Pcs per Carton
5605	Sliding Type	5 x 3/4	127 x 19	10	200
5606	Sliding Type	6 x 3/4	152 x 19	10	200
5608	Sliding Type	8 x 3/4	203 x 19	5	100
5610	Sliding Type	10 x 3/4	254 x 19	5	60
5612	Sliding Type	12 x 3/4	304 x 19	5	60

### Series **Lever Action Flush Bolts**

57

Code	Description	Size in inch	Size in mm	Pcs per Inner Box	Pcs per Carton
5705	Lever Action	5 x 3/4	127 x 19	10	200
5706	Lever Action	6 x 3/4	152 x 19	10	200
5708	Lever Action	8 x 3/4	203 x 19	5	100
5710	Lever Action	10 x 3/4	254 x 19	5	60
5712	Lever Action	12 x 3/4	304 x 19	5	60
5716	Lever Action	6 x 1	152 x 25	10	200
5718	Lever Action	8 x 1	203 x 25	5	100
5721	Lever Action	10 x 1	254 x 25	5	60
5722	Lever Action	12 x 1	304 x 25	5	60

### Series **Sliding With Lock Flush Bolts**

58

Code	Description	Size in inch	Size in mm	Pcs per Inner Box	Pcs per Carton
5805	Sliding With Lock	5 x 3/4	127 x 19	10	200
5806	Sliding With Lock	6 x 3/4	152 x 19	10	200
5808	Sliding With Lock	8 x 3/4	203 x 19	5	100
5810	Sliding With Lock	10 x 3/4	254 x 19	5	60
5812	Sliding With Lock	12 x 3/4	304 x 19	5	60

### Series **Solid Brass Cabin Hooks**

65

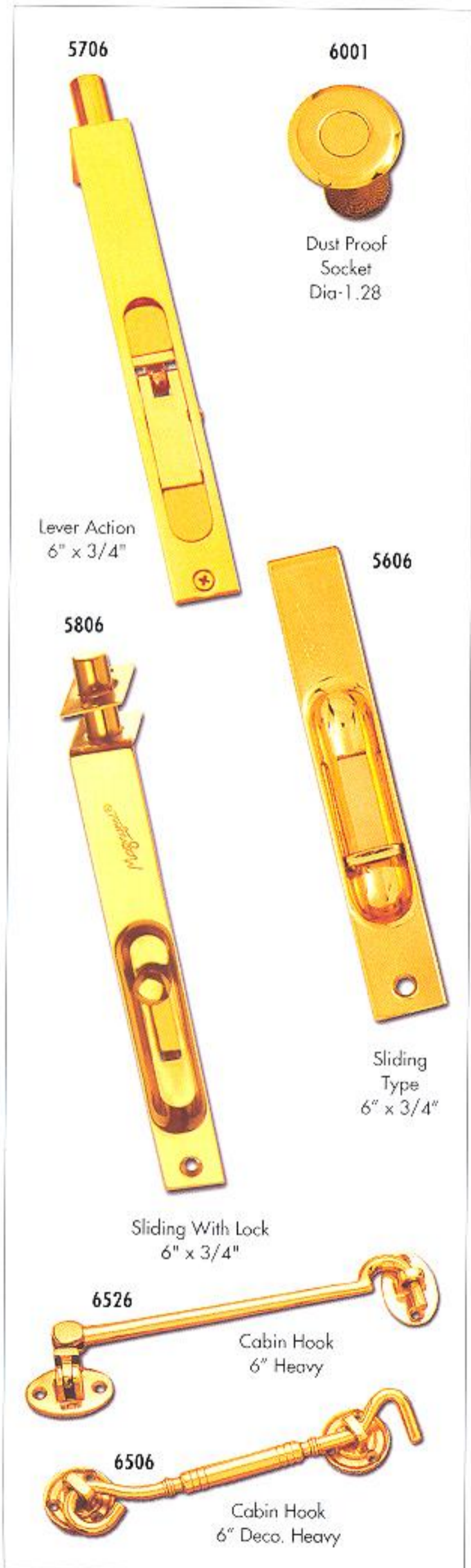
#### Heavy

Code	Size in inch	Size in mm	Pcs per Inner Box	Pcs per Carton
6522	2	52	10	200
6523	3	76	10	200
6524	4	102	10	200
6525	5	126	10	100
6526	6	152	5	100
6528	8	203	5	100
6529	10	253	5	60

#### Decorative Heavy

Code	Size in inch	Size in mm	Pcs per Inner Box	Pcs per Carton
6504	4	102	10	200
6506	6	152	10	200
6508	8	203	10	200
6510	10	253	6	72
6511	12	305	6	72

- Available in all the finishes.
- Above Items are furnished with Solid Brass Screws in respective finishes.



## "Magnum" Solid Brass Surface Bolts & Accessories

4704



'J' Type - 4"

7404



7606

Heavy 'D' Type 4"

7504



Pyramid Type 4"



Flower Type 6"

7703



'C' Type 3" (76mm)



7101  
Door Viewer  
35-50mm  
180°

7106



Door Chain  
4" Length

7111



Door Guard  
4" Length

### Series 47 'J' Type Surface Bolts

Code	Size in inch	Size in mm	Pcs per Inner Box	Pcs per Carton
4702	2	52	10	200
4703	3	76	10	200
4704	4	102	10	200
4706	6	152	5	100
4708	8	203	5	100
4710	10	253	5	60
4712	12	305	5	60
4724	24	610	10	20

### Series 75 Pyramid Type Surface Bolts

Code	Size in inch	Size in mm	Pcs per Inner Box	Pcs per Carton
7502	2	52	10	200
7503	3	76	10	200
7504	4	102	10	200
7506	6	152	5	100
7508	8	203	5	100
7510	10	253	5	60
7512	12	305	5	60

### Series 73 'D' Type Surface Bolts

Code	Size in inch	Size in mm	Pcs per Inner Box	Pcs per Carton
7302	2	52	10	200
7303	3	76	10	200
7304	4	102	10	200
7306	6	152	5	100
7308	8	203	5	100
7310	10	253	5	60
7312	12	305	5	60

### Series 71 Door Accessories

Code	Description	Size in inch	Size in mm	Pcs per Inner Box	Pcs per Carton
7101	Door Viewer	35-50mm	(180°)	20	200
7106	Door Chain	4	102	10	200
7111	Door Guard	4	102	5	100

- Available in **all the finishes**.
- Above Items are furnished with Solid Brass Wood Screws in respective finishes.

### Series 74 Heavy 'D' Type Surface Bolts

Code	Size in inch	Size in mm	Pcs per Inner Box	Pcs per Carton
7402	2	52	10	200
7403	3	76	10	200
7404	4	102	10	200
7406	6	152	5	100
7408	8	203	5	100
7410	10	253	5	60
7412	12	305	5	60

### Series 76 Flower Type Surface Bolts

Code	Size in inch	Size in mm	Pcs per Inner Box	Pcs per Carton
7602	2	52	10	200
7603	3	76	10	200
7604	4	102	10	200
7606	6	152	5	100
7608	8	203	5	100
7610	10	253	5	60
7612	12	305	5	60

### Series 77 'C' Type Surface Bolts

Code	Size in inch	Size in mm	Pcs per Inner Box	Pcs per Carton
7702	2	52	10	200
7703	3	76	10	200
7704	4	102	10	200
7706	6	152	5	100
7708	8	203	5	100
7710	10	253	5	60
7712	12	305	5	60

6101



Dome Type  
H 24mm X T 5mm

6113



Wall fixing Heavy with Holder  
H 75mm Ø 56mm

6106



Wall Bumper  
Ø 48 mm x H 30mm

6108



Floor Fixing  
Ring Rubber  
Ø 30mm X H 44mm

6110



Floor Fixing Heavy  
H 25mm

6128



Half Round H-18 mm  
Available in Brass &  
Stainless Steel

6121



Wall Fixing Round Base  
H 80 mm

6118



Foot Operated  
H 145mm

6119



Lever Type Big  
H 120mm

6131



Magnetic SN  
H 76mm X Ø 32mm

6129



Wall Bumper, Cylinder  
(Satin Nickel)

6130

Ø 30mm  
H 25mm

Ø 30mm  
H 90mm

- Door Stoppers Can be available in **all the finishes**.
- The Door Stoppers are furnished with Solid Brass Wood Screws in respective finishes.

• H - Height Ø - Diameter T - Thickness