



Dal 1956



## **ENTHUSIASM, CREATIVITY, JOY**

We enthusiastically welcome the challenge of global competition as we can rely on the certainty of our know-how and on the power of OTLAV automation.

Now inventing, creating, producing and selling are the joyful principles that stem from our new powerful position.

**Fabio Padovan**



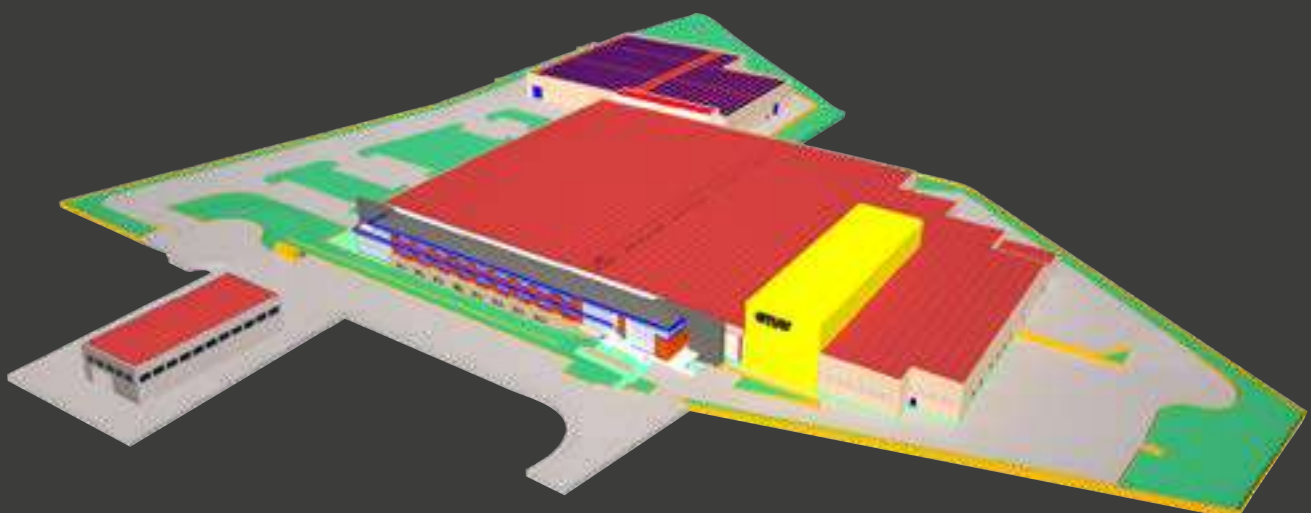
**OTLAV S.p.A** produces and sells hinges for doors and windows and other accessories for frames. **Founded in 1956 by entrepreneur Angelo Padovan, Otlav has produced more than 2,2 billion of hinges since 1956.**

With more than 100 registered patents, Otlav ensures high quality standards and **is present with its wide range of products in over 80 countries worldwide.**

In 2007 the current production site was inaugurated in Santa Lucia di Piave, built with excellent technologies and cutting-edge operational tools. It's a jewel of automation and allows to reduce the management and production costs, reason why it is frequently visited by technicians from all over the world.

Basing on these investments Otlav has intensified its two main features:

- Continued investment in cutting-edge technology and production machinery.
- Complete autonomy and self-responsibility in the whole production chain, which is property of Otlav.





For the transportation of all necessary material, "OAMH" makes use of special automatic trolleys designed and built specifically for OTLAV, called **LGV (Laser Guided Vehicle)**. These trolleys transport and distribute the necessary materials to individual machinery for seamless working in a completely automatic way. Speed, safety and precision.



**"OAMH"** "Otlav Automatic Material Handling" is a project developed after five years of research and studies all around the world; a technological jewel created by designing at first the best logistical location, and then a subsequent lay out, and eventually the container to cover these structures: an unmistakable technological masterpiece, which is 20 meters high.



Rationalization of space, optimization of logistics and exploitation of integrated automation: all of these account for respectively the flow or transportation of materials and the streaming of information.

**The goal is to cut costs by rendering the hinges increasingly competitive with an unparalleled level of quality.**

The means through which this goal is achieved is by the implementation of a complex automated system from the instant when the raw material enters the factory to the exit of the finished product, without any sort of interference from the outside.



In 2021, due to the continuous increase in demand and the need to store large quantities of raw materials, a building next to the production site was purchased; expansion works have also begun and will end in 2023.

(In the photo the expansion works -19 October 2022)

# CATALOGUE

We have compiled this list in order to help our customers as much as possible when they are making out their orders, to eliminate the possibility of mistakes and subsequently, to shorten the delivery times of our products.

The codes of all the articles available in the OTLAV warehouse are listed clearly and precisely and each code refers to a single article.

For example, there is a code for the complete hinge (code CI), the male part (code CG) and the female part (code CF), or the hinge cap (code GC). In each case, the product is described in detail, with code, type, finishing, packaging and price.

The price is given in Euros and the price in bold type is the sum of the prices that make up a hinge, i.e. the price of the male part (code CG) plus the price of the female part (code CF), or the price of a complete hinge (code CI). Important: We recommend you to pay the utmost attention when using this List, especially in the initial stages, because **ONLY COMPLETE, EXACT CODES ARE CONSIDERED VALID**, in order to avoid regrettable hitches.

This price list can undergo products and prices modifications without notice, for updating refer exclusively to the online price list published on website [www.otlav.com](http://www.otlav.com).

Further information regarding OTLAV products, such as quality reports, tests and others, is available on the website: [www.otlav.com](http://www.otlav.com).

# CODE STRUCTURE

## AA BBB CCC DD EE

The ordering code has been prepared using the following method:

### AA = GROUP

- AI = door alignment device,
- CE = bush,
- CF = female part,
- CG = male part,
- CI = complete hinge,
- CR = pintle,
- FP = pivot,
- GC = cap,
- IN = concealed hinge,
- JC JR = fixing plate,
- LC = flushbolts,
- MA = complete tools box,
- MC = jig,
- NP = plate,
- NT = bolt hinge,
- RO = washer,
- TE = head,
- TO = hole cover,
- TP = door closer.

### BBB = MODEL

**CCC** = DIAMETER or REFERENCE SIZE (hinges = diameter; bolts = length). For tools, it indicates the diameter of the article for which they have been made. It is specified in teens of millimeter: for example  $\emptyset 13 = 130$ .

**DD** = SURFACE FINISHING of the particular product.

**EE** = PROCEEDING NUMBER which identify the article.

---

**NB: OTLAV may not be held responsible for any errors that occur due to an incomplete, absent or incorrect article code during the dispatching of orders.**

<b>TESTS</b>	<b>8</b>	057 Ø13	87	<b>TOOLS</b>	<b>147</b>
<b>FINISHING</b>	<b>12</b>	057 Ø14	87	MA 700	148
<b>INVISACTA</b>	<b>15</b>	P58 Ø14	88	MA 701	149
INVISACTA IN230	16	070 Ø13	89	MA 703	153
INVISACTA IN235	17	075 Ø13	89	MA 801	154
INVISACTA IN300	18	085 Ø13	90	MC 701	154
INVISACTA IN303	19	133 Ø16	91	MC 703	157
INVISACTA IN305	20	190 Ø13	92	MC 710	159
INVISACTA IN310	21	190 Ø14	93	MC 711	160
INVISACTA IN570	22	190 Ø16	94	MC 712	160
335 Ø15	23	300 Ø13	96	MC 713	161
AI 230	24	300 Ø14	96	MC 714	162
AI 300	24	320 Ø15	97	TRIMK	163
GC 230	25	320 Ø16	97	MU 803	163
GC 300	25	320 Ø18	98	MU 8	165
JC 522	26	320 Ø20	99	MR A	166
MU 800	26	NT 021	100	<b>CAPS</b>	<b>167</b>
MU INV AL	27	508 Ø11	101	815 Ø17,5	168
MU INV ABS	27	517 Ø14	102	826 Ø14	168
NP 120	28	<b>PINTLES</b>	<b>103</b>	818 Ø15	169
PP 105	30	CE 014 Ø14	103	836 Ø16	169
TP230	30	CE 030 Ø16	104	838 Ø14	170
<b>PVC</b>	<b>31</b>	<b>ADJUSTABLE HINGES</b>	<b>105</b>	838 Ø15	170
P09 Ø13	32	NORDEX	106	838 Ø16	171
P36 Ø13	33	POMELLAS	107	838 Ø17	173
P38 Ø13	34	488 Ø16	109	838 Ø18	175
P50 Ø15	36	491 Ø14	110	838 Ø19	176
TRIXACTA	39	EXACTA	130	838 Ø22	176
MIXACTA 2D	41	URSUS	121	839 Ø16	177
BIXACTA	44	475 Ø18	124	839 Ø18	178
MIXACTA 3D	49	<b>Hinges for METAL profiles</b>	<b>125</b>	839 Ø22	178
URSUS PVC	51	031 Ø16	126	844 Ø14	179
ROLLACTA	53	095 Ø14	127	846 Ø15	179
<b>STAINLESS STEEL Hinges</b>	<b>59</b>	102 Ø15	127	846 Ø17	180
101 Ø15	60	320 Ø18	128	847 Ø14	180
335 Ø15	61	335 Ø15	129	847 Ø15	181
355 Ø13	62	EXACTA	130	849 Ø14	181
355 Ø14	62	750 Ø18	131	849 Ø15	182
EXACTA	63	<b>Hinges for FURNITURE</b>	<b>133</b>	858 Ø15	182
P50 Ø15	64	530 Ø9	134	<b>FLUSHBOLTS</b>	<b>183</b>
<b>DIN-NORM</b>		530 Ø11	134	LC 260 160	184
<b>Hinges for German profiles</b>	<b>65</b>	605 Ø9	135	LC 260 200	185
100 Ø15	66	605 Ø11	136	LC 260 250	185
101 Ø15	67	<b>ACCESSORIES</b>	<b>137</b>	LC 260 300	186
102 Ø15	68	AI 598	138	NP 040	186
335 Ø15	69	CERNIPANNI	138	<b>GENERAL CONDITIONS OF SALE</b>	<b>187</b>
341 Ø15	72	JR 512	139		
343 Ø15	72	JR 513	139		
FP 096 Ø8	76	JR 519	140		
<b>Hinges for WOOD</b>	<b>77</b>	JR 520	141		
030 Ø13	78	JR 521	141		
030 Ø14	79	JR 523	142		
030 Ø16	79	PP 0070	142		
031 Ø16	80	PP 105	143		
050 Ø13	81	RO 720	143		
055 Ø13	82	SD 040	145		
055 Ø14	83	TP 990	146		
055 Ø16	86				

# OTLAV TESTS

## Hinge carrying capacity

As required by European regulations and by Regulation (EU) No. 305/2011 **all OTLAV hinges are subjected to stringent resistance tests to check performance both during the design phase and regularly during manufacturing.**

The I.U.S. (Intensive Use Simulator) is the testing system used in the OTLAV Test Laboratories.

It consists of a rigid structure made up of uprights and crosspieces to which the door or window being tested is fixed and by integrated automated systems that simulate the movement of the door/window during normal use. The special configuration of the I.U.S. faithfully reproduces the fixing of the door/window to the support it is intended for. It is also able to recreate extreme situations helping to considerably increase safety margins.

The hinges are subjected to different types of tests as envisaged by the harmonized standard UNI EN 1935/2004 and by standard 14648/2008:

- Test for resistance to wear.
- Test for loading and overloading.
- Test for resistance to extraction (of the pin from the support to which it has been fixed).
- Test for resistance to torsion.
- Test for resistance to bending.
- Test for resistance to mishandling such as breaking down the door (British Standard Institute, PAS 23/1,1999) and RAL tests.

A number of digital and analogue measuring instruments assembled on the I.U.S and connected to computerized data capturing devices, measure in real time the following significant values during the tests: deformation, movements, load capacity variations, number of cycles.

Constant visual and acoustic checks are also carried out to detect any anomalies not registered by the instruments, for example such as powder due to mechanical wear or creaking. The I.U.S. can test windows or doors up to 250x150 cm and weighing more than 250 Kg.

### EC Certificates and Performance Declarations

Tests on the hinges are also carried out at external bodies able to certify that the company manufactures according to rigid, systematically monitored production plans and that the products pass the tests envisaged by the standard UNI EN 1935:2004 they are thereby able to issue, if needed, the EC certificate or certify the data provided by OTLAV in the "performance declarations".



View of the OTLAV test laboratories I.U.S. (Intensive Use Simulator)



Test for resistance to extraction



Test for resistance to wear



Test for resistance to water and wind (in external laboratories)



Test for resistance to wear (detail)



Test for resistance to fire (in external laboratories)



Test for resistance to wear, OTLAV I.U.S.



trasferimento tecnologico e innovazione



# OTLAV TESTS

## Hinge carrying capacity

More than 65 years of technical experience in door and window hinges is a remarkable achievement, but the day-to-day challenge is the constant search for new findings demonstrating improvements in performance, safety and appearance.

Resistance, carrying capacity and reliability contained in a harmonious design, even if concealed, are the achievements reached and maintained over time by all the OTLAV models.

The hinge, initially comprised of a body and a threaded pin welded together to form the male and female parts, has been improved over time through different models with plates, pins and screws leading to **highly sophisticated models adjustable on 3 axes**.

Now thanks to constant research and checks over manufacturing, **we have developed hinges which can support more than the maximum capacity indicated by the Standard UNI EN 1935:2002:**

- 200,000 cycles (opening and closing);
- door mass of 160 kg;
- overload stress for safety levels up to 480 kg. on door systems.

When a hinge offers enormous potential, the choice of the model and number of hinges used must be evaluated considering other factors which improve conditions of use in addition to the indications in the Standard UNI EN 1935:2002 which suggests a minimum of 3 hinges for each door based on its mass.

The dimensions of the door/window, material used, thickness and anchorage points subject to requirements are all exclusive choices of our customers based on their experience. The performance levels declared by OTLAV provide good information to identify the hinges based on both the conditions of use and of the location of the door/window (public or private places, schools or offices, hotels or homes etc.) and the levels of care during use.

**The load capacity of the hinges is declared by OTLAV on the basis of the tests necessary to obtain CE certification (UNI EN 1935: 2002 standard for single-axis hinges, European Assessment Document EAD-020001-01-0405 for multi-axis hinges), if Otlav declares more than 160 kg. (the maximum required by law), the declaration is made on the basis of the durability test of 200,000 cycles.**

### **i** NOTE

The weight of the door/window which can be supported by a hinge depends on many factors:

1. dimensions of the shutter;
2. number of hinges;
3. positioning of the hinges;
4. type and quality of material used for the door/window;
5. accuracy, precision and experience when mounting the door/window to ensure the hinges are perfectly aligned;
6. distance of the male part from the frame must not be more than 6 mm;
7. thickness of the door/window material at the anchorage point.

Our technicians are available for support and any clarification required.

### LOAD CAPACITY TABLE

#### Hinges for doors up to 80 kg. - door mass class 4

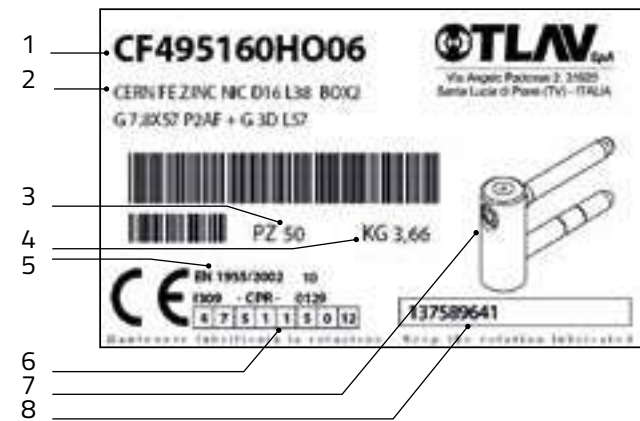
Door height mm.	Door width mm.										
	400	600	800	900	1000	1050	1100	1150	1200	1250	1300
2400	4	4	4	4	5	5	5	5	5	3	3
2300	3	3	3	4	4	5	5	5	3	3	3
2200	3	3	3	3	4	4	4	3	3	3	3
2100	3	3	3	3	3	4	3	3	3	3	3
2000	3	3	3	3	3	3	3	3	3	3	3
1900	3	3	3	3	3	3	3	3	3	3	3
1800	3	3	3	3	3	3	3	3	3	3	3
1200	3	3	3	3	3	3	3	3	3	3	3
800	3	3	3	3	3	3	3	3	3	3	3
400	3	3	3	3	3	3	3	3	3	3	3

- X Suggested number of hinges
- 3 Switch to a hinge of one higher class, use 3 hinges.
- 3 Switch to a hinge of two higher class, use 3 hinges.

Tables showing the number of hinges to use depending on the hinge model, the width and height of the door/window, can be accessed in our website: [www.otlav.com](http://www.otlav.com)

# OTLAV TESTS

## How to read the labels



### Example of a label placed on a box of Otlav products.

- 1) Product code.
- 2) Product description.
- 3) Number of pieces contained in the box.
- 4) Weight of box.
- 5) References to standards, accredited institution and EC certificate number.

### 6) 8-digit coding system on performance.

- 7) Concise drawing of the product.
- 8) Manufacturing batch

To aid understanding of the performance requirements shown in the labels on Otlav products, as per Standard UNI EN 1935:2002, we have provided below a summary of the evaluation criteria shown in the 8-digit coding system (see point 6 of the label above):

4	7	5	1	1	5	0	12
digit 1	digit 2	digit 3	digit 4	digit 5	digit 6	digit 7	digit 8

### Digit 1 – Category of use.

- *Grade 1 - light use:* hinges used on doors or windows in homes or in other residential areas and in buildings where there is a low frequency of use by people highly incentivized to take care and with a low probability of accidents or incorrect use.
- *Grade 2 - medium use:* hinges used on doors in homes or in other residential areas and other buildings where there is an average frequency of use by people fairly incentivized to take care and with a slight probability of accidents or incorrect use.
- *Grade 3 - heavy use:* hinges used on doors in buildings where there is a high frequency of use by the public or by other people with little incentive to take care and with a high probability of accidents or incorrect use.
- *Grade 4 - severe use* (digit 8: grades 12, 13 and 14): hinges used on doors subjected to frequent and violent use.

### Testing methods.

The tests to evaluate the required performance levels have been carried out on two hinges fixed to rigid testing equipment or a single hinge subjected to vertical load testing.

### Digit 2 - Durability.

- Grade 3 = 10,000 cycles
- Grade 4 = 25,000 cycles
- Grade 7 = 200,000 cycles

The hinged item is rotated, simulating opening and closing of the door by 90 degrees for the number of cycles required by the grade being tested. Via this test, it is verified that by the end of the test, the wear of the hinge does not damage the functionality of the hinge.

At the end of the test, the vertical and horizontal deviations of the door must remain within the required limits.

### Digit 3 - Door mass.

It's the weight of the door on which the hinge to be tested is mounted.

- Grade 0: 10 kg
- Grade 1: 20 kg
- Grade 2: 40 kg
- Grade 3: 60 kg
- Grade 4: 80 kg
- Grade 5: 100 kg
- Grade 6: 120 kg
- Grade 7: 160 kg

### Digit 4 - Suitability for use on fire rated or smoke rated doors.

- Grade 0: no.
- Grade 1: yes.

The door is tested to determine if the material is able to endure fire (see Appendix B of Standard EN 1935:2002 for the additional requirements).

### Digit 5 - Safety.

- Grade 1: the hinge satisfies the essential requirements of safety in use.

**Load deformation test:** a load equal to the door mass is applied: the deformations recorded during and after the load must remain within certain specified limits and there must be no change in the functional performance. Incorrect use of a door over a short time period is reproduced via this test.

**Overload test:** a load twice the door mass being tested is applied: the hinges and the door must not present any deformation or breakage and the door must not drop even if the hinge no longer works. An exceptionally negative event is reproduced via this test.

**Shear load test:** this test is carried out separately on a three pins hinge (not mounted on a door). The central part of the hinge (bushing) is loaded with a predetermined weight as per a table. This test is made to verify that the central pin does not sustain any deformations which can damage the functionality of the hinge.

### Digit 6 - Corrosion resistance.

The level of corrosion resistance is defined via a salt spray test according to Standard ISO 9227 and evaluated according to Standard EN 1670. The Salt Spray test is carried out on samples corroded by a saline solution in a special test cabinet. The time necessary for the onset of oxidation establishes the grade of resistance from 0 to 5.

See following pages.

### Digit 7 - Resistance to burglary.

- Grade 0: No.
- Grade 1: Yes. Hinges are suitable for use on doors requiring a degree of security.

### Digit 8 - Hinge grade.

Overall rating for the hinge (in ascending order from 1 to 14).

## OTLAV TESTS

### Resistance of finishing

Formation of rust on steel is a natural and inevitable chemical phenomenon which occurs regardless of the location and the conditions. The longer the start is delayed, the more the functionality and appearance of the door/window is guaranteed. The propensity of steel to corrode can be reduced by adopting measures to protect it, based on external coatings or finishing which tend to isolate it from aggressive atmospheric conditions. Correct use of a hinge must therefore take into account the location in which it will be used and resistance of the finishing to rusting. When using hinges in a protected environment or in mild and stable environmental conditions it is possible to choose from a wide range of finishing. When using hinges in an aggressive environment we recommend choosing from those with corrosion resistant finishing used together with OTLAV caps.

**At Myrtus, the galvanic treatment company of OTLAV Group, all the finishes are subjected to a specific resistance test.**

The salt spray test, carried out according to the UNI regulations detailed below, is an accelerated corrosion test which enables the resistance to corrosion of a material or a coating to be evaluated qualitatively. The sample to be examined is placed inside a test chamber at a constant temperature, humidity and pressure: inside the chamber a saline solution is atomized which then attacks the protective coating of the hinge. At predetermined intervals the samples are observed and any changes are registered up until the appearance of traces of oxidation or spots of red rust.

There is no direct relation between the resistance to salt spray and the life of hinges exposed to atmospheric agents in different environments: therefore this test must be considered as a comparative or indicative method of relative quality (not an absolute figure).



OTLAV is also environmental friendly oriented having the **"Infinitely Recyclable" certification (Myrtus was the first company in Italy to obtain the certification)**, which acknowledges metal products which can be smelted and recreated an infinite number of times, without giving rise to waste products or other harmful elements for the ecosystem.

#### Salt spray chamber:

Angelantoni ACS mod. DCTC600

#### Test carried out according to regulations:

UNI-ISO 9227 type NSS SS DIN 50021 ASTM B 117 SIS 184190 NFX 41-002

#### Salt concentration:

5% +/- 0,5%

#### Collected volume:

1,5 cc hour - Mass 1033 Kg/m<sup>3</sup> - pH 6,9

#### Chamber temperature:

35 °C +/- 1 °C

#### Pressure:

1,5 bar

Samples are arranged in a radial pattern on the test specimen holder



Salt spray chamber: Angelantoni ACS mod. DCTC600.

### **i** NOTE!

**Especially hostile areas and agents and inappropriate conduct can accelerate the decline of steel even if treated:**

- 1) salts or acids and other oxidizing agents present in the air and especially concentrated in marine areas, in livestock shelters and in urban areas are aggressive factors;
- 2) the same degree of corrosion can be found in rooms or work sites poorly ventilated, in which chemical treatments such as painting or finishing of floors have been carried out;
- 3) high humidity and repeated temperature changes typical of rooms or places not lived in are a certain cause of the onset of oxidation;
- 4) incorrect storage, handling without care or cleaning of the product with corrosive or abrasive products can damage the aesthetic and structural integrity of the product even before mounting it.

# FINISHING

Finishing Description CLASS\*

## Finishing with high resistance to corrosion (class 5)

<b>H0</b>	Zinc Nickel 7 µ	5	<b>IM</b>	Matt Stainless Steel	5
-----------	-----------------	---	-----------	----------------------	---

## Finishing on aluminium

<b>J1</b>	Satinized Silver	4	<b>JC</b>	Satinized Nickel Aluminium	4	<b>JT</b>	Satinized Nickel Aluminium	4
<b>J2</b>	Satinized Nickel Plated	4	<b>JL</b>	Silver Aluminium	4	<b>JZ</b>	Bronze Aluminium	4
<b>J7</b>	Satinized Silver Aluminium	4	<b>JO</b>	Gold Aluminium	4	<b>9R</b>	Bronze Plated	4
<b>JA</b>	Blue Satinized Nickel Aluminium	4						

## Finishing on nylon

<b>Y2</b>	Black Nylon	4	<b>Y8</b>	Dark Brown Nylon	4	<b>YD</b>	Brown Nylon	4
<b>Y3</b>	White Nylon (Ral 9010)	4	<b>YA</b>	Gold Nylon	4	<b>YS</b>	Matt Chrome Plated Nylon	4
<b>Y5</b>	Blue White Nylon	4	<b>YB</b>	Chrome Nylon	4	<b>V8</b>	Polished Gold	4
<b>Y6</b>	White Nylon (Ral 9016)	4	<b>YC</b>	Matt Nickel Plated Nylon	4	<b>VZ</b>	Bronze Plated	4

## Finishing on brass

<b>BN</b>	Bronze Plated	1	<b>GO</b>	Natural	0	<b>L1</b>	Polished Varnished	2
<b>PG</b>	Old Silver	4	<b>H3</b>	Black Engraved Zinc Plated	1			

### \* Resistance class

The destined use indicated in the table refers to the grade of resistance to corrosion in salt spray (NSS type) as envisaged by standard UNI EN 1670 2007 (sixth figure according to UNI EN 1935).

Resistance class	Description	Life
0	Resistance to corrosion not defined.	<24h
1	Low resistance to corrosion, use in internal dry environments (i.e. internal doors to living areas).	24h
2	Moderate resistance to corrosion, use in internal areas that may have humidity (i.e. internal doors in basements or bathrooms).	48h
3	High resistance to corrosion, use in external protected areas (i.e. protected main external doors).	96h
4	Very high resistance to corrosion, use in external areas (i.e. unprotected main external doors).	240h
5	Exceptional resistance to corrosion, use in external areas with corrosive environmental conditions (i.e. external doors/windows in maritime areas or livestock shelters).	>480h

# FINISHING

Finishing	Description	CLASS*
-----------	-------------	--------

## Plastified finishing

<b>P0</b>	Brown	4	<b>PI</b>	White (Ral 9016)	4	<b>9N</b>	Matt Black	4
<b>P2</b>	Black	4	<b>PK</b>	Bronze	4	<b>9P</b>	Matt White (Ral 9016)	4
<b>P3</b>	White (Ral 9010)	4	<b>PU</b>	Clay Brown (Ral 8003)	4			
<b>P9</b>	Grey (Ral 7035)	4	<b>9F</b>	Grey	4			

## Finishing on steel and zamak

<b>B1</b>	Special Bronze Plated	1	<b>H8</b>	Old Zinc Plated	1	<b>R0</b>	Burnished	0
<b>BN</b>	Bronze Plated	1	<b>K1</b>	Polished Gold	2	<b>T1</b>	Satinized Chrome Plated	3
<b>B0</b>	Bronze Plated for Zamak	1	<b>NO</b>	Nickel Plated	1	<b>V7</b>	Satinized Silver	4
<b>G2</b>	Varnished Phosphatized	1	<b>N1</b>	Static Nickel Plated	1	<b>VD</b>	Chrome Plated	3
<b>H0</b>	Zinc Plated	1	<b>N4</b>	Matt Nickel Plated	1	<b>VN</b>	Satinized Nickel Plated	4
<b>H2</b>	Black Varnished Zinc Plated	3	<b>N7</b>	Satinized Nickel Plated	2	<b>VO</b>	Polished Gold	2
<b>H3</b>	Black Engraved Zinc Plated	1	<b>NN</b>	Nickel Plated	1	<b>8H</b>	Super Zinc Plated	3
<b>H5</b>	Zinc Plated 12 μ	2	<b>00</b>	Brass Plated	1			

### Definition

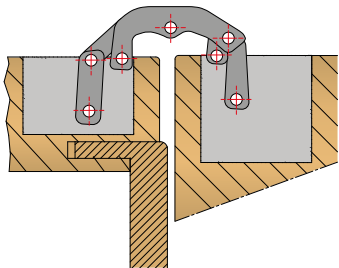
## DIN right and DIN left

A hinge is **DIN right** when pulling the door, it is placed on the right side and **DIN left** when pulling the door it is placed on the left side of the door.



# INVISACTA

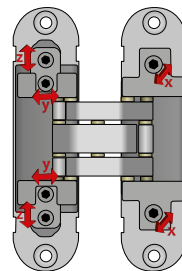
## HINGES FOR FLUSH DOOR



### 7 JUNCTION FULCRUMS

**No sliding wear**

7 fulcrum points allow little friction, good flow, solidity and high loading capacity; no contact between the different bearing units thanks to nylon bushes with high friction resistance.

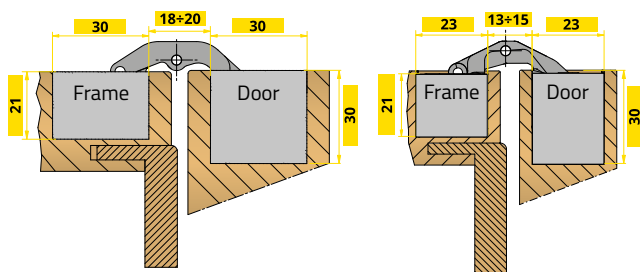


### 3 ADJUSTMENTS

**With only one hex spanner**

The clamping screws, placed in the outer casings, are not used for hinge adjustment, therefore they remain stable for a long time.

IN570, IN310, IN303, IN300, IN305, IN230 and IN235 models



### MINIMAL DIMENSIONS

**Slot on frame side: 21 mm**

A 21 mm depth slot on the frame side makes it unique and enables its perfect integration in reduced spaces. No need to cut the architrave which can be flush mounted.

IN303, IN300, IN305, IN301, IN230 and IN235 models



### REVERSIBILITY

**Invisacta hinges are all reversible**

The hinge if mounted in the center of the door thickness\*, allows the reversibility of the door, thus enabling the optimization of the stock and logistics at installation.

\* IN570, IN303, IN300 and IN305 models

## COMPATIBILITY

### Same milling, different hinges.

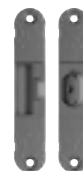
**IN230**  
Doors up to 60 kg.



**IN235**  
Doors up to 40 kg.



**AI230**  
Door alignment device



Milling 23x120 mm

**IN303**  
Doors up to 80 kg.



**IN300**  
Doors up to 60 kg.



**IN305**  
Doors up to 40 kg.



**CI335**  
Doors up to 40 kg.



**AI300**  
Door alignment device



Milling 30x120 mm

# INVISACTA

HINGES FOR FLUSH DOOR

INVISACTA

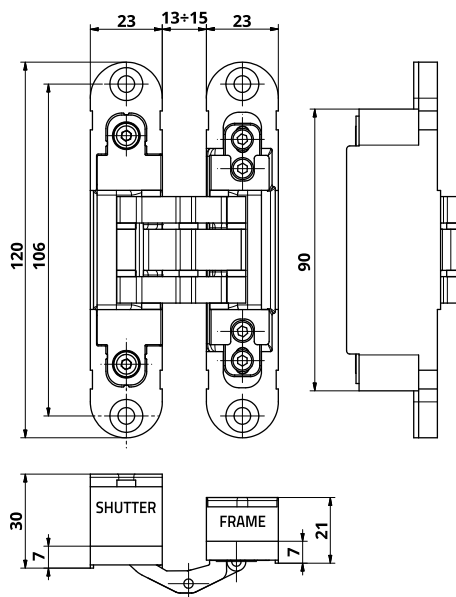



# INVISACTA IN230



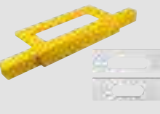

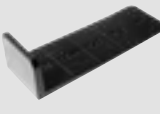


3D adjustable concealed hinge - capacity 60 kg.



Satinized Silver



CODE	DOP	FINISHING	WEIGHT	Pcs / Box	PRICE PCS.
 <b>IN2301209N02</b> Hinge	<input type="checkbox"/> 2 <input type="checkbox"/> 7 <input type="checkbox"/> 3 <input type="checkbox"/> 1 <input type="checkbox"/> 1 <input type="checkbox"/> 4 <input type="checkbox"/> 0 <input type="checkbox"/> 10	Matt Black	425 gr.	18 3 x 6 (Box x pcs. each)	€ 33,50
 <b>GC2300109N02</b> Aluminium caps		Matt Black	1,23 gr.	576 8 x 72 (Box x pcs. each)	€ 0,652
 <b>IN2301209P02</b> Hinge	<input type="checkbox"/> 2 <input type="checkbox"/> 7 <input type="checkbox"/> 3 <input type="checkbox"/> 1 <input type="checkbox"/> 1 <input type="checkbox"/> 4 <input type="checkbox"/> 0 <input type="checkbox"/> 10	Matt White (RAL 9016)	425 gr.	18 3 x 6 (Box x pcs. each)	€ 31,80
 <b>GC2300109P02</b> Aluminium caps		Matt White (RAL 9016)	1,23 gr.	576 8 x 72 (Box x pcs. each)	€ 0,256
 <b>IN230120H004</b> Hinge	<input type="checkbox"/> 2 <input type="checkbox"/> 7 <input type="checkbox"/> 3 <input type="checkbox"/> 1 <input type="checkbox"/> 1 <input type="checkbox"/> 1 <input type="checkbox"/> 0 <input type="checkbox"/> 10	Zinc Plated	425 gr.	18 3 x 6 (Box x pcs. each)	€ 29,70
 <b>GC230010J102</b> Aluminium caps		Satinized Silver	1,23 gr.	576 8 x 72 (Box x pcs. each)	€ 0,256
 <b>IN230120V702</b> Hinge	<input type="checkbox"/> 2 <input type="checkbox"/> 7 <input type="checkbox"/> 3 <input type="checkbox"/> 1 <input type="checkbox"/> 1 <input type="checkbox"/> 4 <input type="checkbox"/> 0 <input type="checkbox"/> 10	Satinized Silver	425 gr.	18 3 x 6 (Box x pcs. each)	€ 31,80
 <b>GC230010J102</b> Aluminium caps		Satinized Silver	1,23 gr.	576 8 x 72 (Box x pcs. each)	€ 0,256
 <b>IN230120VN02</b> Hinge	<input type="checkbox"/> 2 <input type="checkbox"/> 7 <input type="checkbox"/> 3 <input type="checkbox"/> 1 <input type="checkbox"/> 1 <input type="checkbox"/> 4 <input type="checkbox"/> 0 <input type="checkbox"/> 10	Satinized Nickel Plated	425 gr.	18 3 x 6 (Box x pcs. each)	€ 31,80
 <b>GC230010J202</b> Aluminium caps		Satinized Nickel Plated	1,23 gr.	576 8 x 72 (Box x pcs. each)	€ 0,256
 <b>IN230120V002</b> Hinge	<input type="checkbox"/> 2 <input type="checkbox"/> 7 <input type="checkbox"/> 3 <input type="checkbox"/> 1 <input type="checkbox"/> 1 <input type="checkbox"/> 2 <input type="checkbox"/> 0 <input type="checkbox"/> 10	Polished Gold	425 gr.	18 3 x 6 (Box x pcs. each)	€ 46,80
 <b>GC230010J005</b> Aluminium caps		Gold Aluminium	1,23 gr.	576 8 x 72 (Box x pcs. each)	€ 0,341

<b>ACCESSORIES</b>	 <b>Door alignment device</b> Page 24	 <b>Aluminium jig</b> Page 27	 <b>Nylon jig</b> Page 27	 <b>Plate and shims</b> Page 28	 <b>Wedge</b> Page 30	 <b>Cap for hole</b> Page 30	<b>Short link</b>  <a href="http://www.otlav.it - IN230">www.otlav.it - IN230</a>
--------------------	--	--	--	--	---	---	--

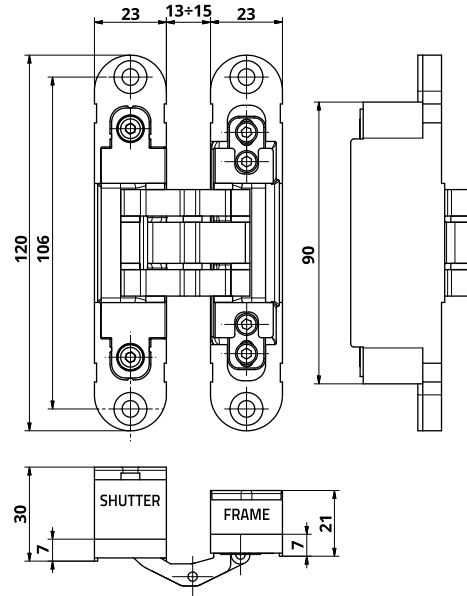





# INVISACTA IN235


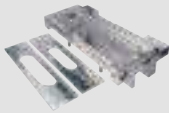


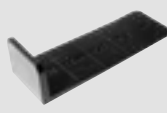


3D adjustable concealed hinge - capacity 40 kg.



Satinized Silver



CODE	DOP	FINISHING	WEIGHT	Pcs / Box	PRICE PCS.
 <b>IN2351209P17</b> Hinge with aluminium caps included	2 7 2 0 1 4 0 7	Matt White (RAL 9016)	299 gr.	42 1 x 42 (Box x pcs. each)	€ 23,20
 <b>IN235120H08</b> Hinge with aluminium caps included	2 7 2 0 1 1 0 7	Zinc Plated	295 gr.	42 1 x 42 (Box x pcs. each)	€ 22,20
 <b>IN235120V708</b> Hinge with aluminium caps included	2 7 2 0 1 4 0 7	Satinized Silver	295 gr.	42 1 x 42 (Box x pcs. each)	€ 23,00

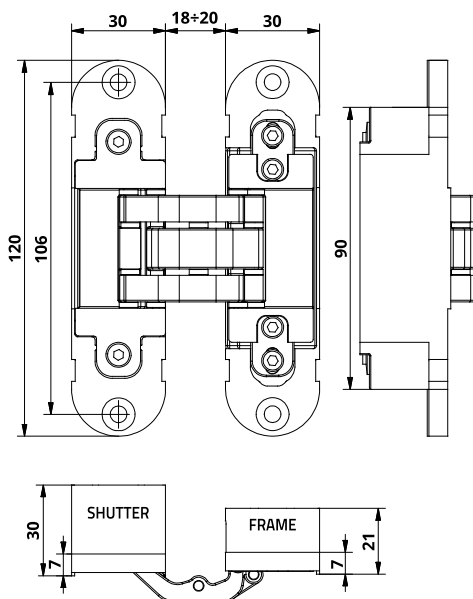
<b>ACCESSORIES</b>	 <b>Door alignment device</b> Page 24	 <b>Aluminium jig</b> Page 27	 <b>Nylon jig</b> Page 27	 <b>Plate and shims</b> Page 28	 <b>Wedge</b> Page 30	 <b>Cap for hole</b> Page 30	Short link  <a href="http://www.otlav.it">www.otlav.it</a> - IN235
--------------------	--	--	--	--	---	---	---

# INVISACTA IN300

3D adjustable concealed hinge - capacity 60 kg.



Satinized Silver



CODE	DOP	FINISHING	WEIGHT	Pcs / Box	PRICE PCS.
 <b>IN3001209N02</b> Hinge	<input type="checkbox"/> 2 <input type="checkbox"/> 7 <input type="checkbox"/> 3 <input type="checkbox"/> 1 <input type="checkbox"/> 1 <input type="checkbox"/> 4 <input type="checkbox"/> 0 <input type="checkbox"/> 10	Matt Black	600 gr.	18 3 x 6 (Box x pcs. each)	€ 31,50
 <b>GC3000109N02</b> Aluminium caps		Matt Black	1,6 gr.	576 8 x 72 (Box x pcs. each)	€ 0,691
 <b>IN3001209P02</b> Hinge	<input type="checkbox"/> 2 <input type="checkbox"/> 7 <input type="checkbox"/> 3 <input type="checkbox"/> 1 <input type="checkbox"/> 1 <input type="checkbox"/> 4 <input type="checkbox"/> 0 <input type="checkbox"/> 10	Matt White (RAL 9016)	600 gr.	18 3 x 6 (Box x pcs. each)	€ 31,50
 <b>GC3000109P02</b> Aluminium caps		Matt White (RAL 9016)	1,6 gr.	576 8 x 72 (Box x pcs. each)	€ 0,278
 <b>IN300120B002</b> Hinge	<input type="checkbox"/> 2 <input type="checkbox"/> 7 <input type="checkbox"/> 3 <input type="checkbox"/> 1 <input type="checkbox"/> 1 <input type="checkbox"/> 1 <input type="checkbox"/> 0 <input type="checkbox"/> 10	Bronze Plated	600 gr.	18 3 x 6 (Box x pcs. each)	€ 31,50
 <b>GC3000109R02</b> Aluminium caps		Bronze Plated	1,6 gr.	576 8 x 72 (Box x pcs. each)	€ 0,278
 <b>IN300120H004</b> Hinge	<input type="checkbox"/> 2 <input type="checkbox"/> 7 <input type="checkbox"/> 3 <input type="checkbox"/> 1 <input type="checkbox"/> 1 <input type="checkbox"/> 1 <input type="checkbox"/> 0 <input type="checkbox"/> 10	Zinc Plated	600 gr.	18 3 x 6 (Box x pcs. each)	€ 29,40
 <b>GC300010J102</b> Aluminium caps		Satinized Silver	1,6 gr.	576 8 x 72 (Box x pcs. each)	€ 0,278
 <b>IN300120V702</b> Hinge	<input type="checkbox"/> 2 <input type="checkbox"/> 7 <input type="checkbox"/> 3 <input type="checkbox"/> 1 <input type="checkbox"/> 1 <input type="checkbox"/> 4 <input type="checkbox"/> 0 <input type="checkbox"/> 10	Satinized Silver	600 gr.	18 3 x 6 (Box x pcs. each)	€ 31,50
 <b>GC300010J102</b> Aluminium caps		Satinized Silver	1,6 gr.	576 8 x 72 (Box x pcs. each)	€ 0,278
 <b>IN300120VN02</b> Hinge	<input type="checkbox"/> 2 <input type="checkbox"/> 7 <input type="checkbox"/> 3 <input type="checkbox"/> 1 <input type="checkbox"/> 1 <input type="checkbox"/> 4 <input type="checkbox"/> 0 <input type="checkbox"/> 10	Satinized Nickel Plated	600 gr.	18 3 x 6 (Box x pcs. each)	€ 31,50
 <b>GC300010J205</b> Aluminium caps		Satinized Nickel Plated	1,6 gr.	576 8 x 72 (Box x pcs. each)	€ 0,278
 <b>IN300120V002</b> Hinge	<input type="checkbox"/> 2 <input type="checkbox"/> 7 <input type="checkbox"/> 3 <input type="checkbox"/> 1 <input type="checkbox"/> 1 <input type="checkbox"/> 2 <input type="checkbox"/> 0 <input type="checkbox"/> 10	Polished Gold	600 gr.	18 3 x 6 (Box x pcs. each)	€ 46,30
 <b>GC300010J005</b> Aluminium caps		Gold Aluminium	1,6 gr.	576 8 x 72 (Box x pcs. each)	€ 0,341

<b>ACCESSORIES</b>					
	<b>Door alignment device</b>	<b>Aluminium jig</b>	<b>Nylon jig</b>	<b>Plate and shims</b>	<b>Wedge</b>
	Page 24	Page 27	Page 27	Page 29	Page 30

Short link



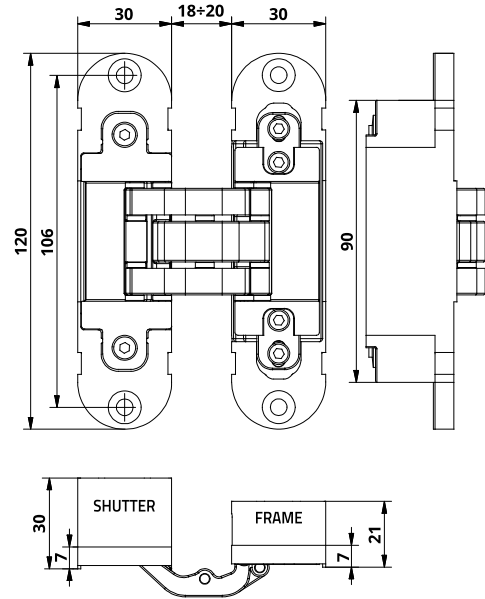
www.otlav.it - IN300

# INVISACTA IN303

3D adjustable concealed hinge - capacity 80 kg.



Satinized Silver



CODE	DOP	FINISHING	WEIGHT	Pcs / Box	PRICE PCS.								
 <b>IN3031209N02</b> Hinge	<table border="1"><tr><td>3</td><td>7</td><td>4</td><td>1</td><td>1</td><td>4</td><td>0</td><td>11</td></tr></table>	3	7	4	1	1	4	0	11	Matt Black	524 gr.	18 3 x 6 (Box x pcs. each)	€ 44,80
3	7	4	1	1	4	0	11						
 <b>GC3000109N02</b> Aluminium caps		Matt Black	1,6 gr.	576 8 x 72 (Box x pcs. each)	€ 0,691								
 <b>IN303120V702</b> Hinge	<table border="1"><tr><td>3</td><td>7</td><td>4</td><td>1</td><td>1</td><td>4</td><td>0</td><td>11</td></tr></table>	3	7	4	1	1	4	0	11	Satinized Silver	524 gr.	18 3 x 6 (Box x pcs. each)	€ 42,50
3	7	4	1	1	4	0	11						
 <b>GC300010J102</b> Aluminium caps		Satinized Silver	1,6 gr.	576 8 x 72 (Box x pcs. each)	€ 0,278								
 <b>IN303120VN02</b> Hinge	<table border="1"><tr><td>3</td><td>7</td><td>4</td><td>1</td><td>1</td><td>4</td><td>0</td><td>11</td></tr></table>	3	7	4	1	1	4	0	11	Satinized Nickel Plated	524 gr.	18 3 x 6 (Box x pcs. each)	€ 42,50
3	7	4	1	1	4	0	11						
 <b>GC300010J205</b> Aluminium caps		Satinized Nickel Plated	1,6 gr.	576 8 x 72 (Box x pcs. each)	€ 0,278								
 <b>IN303120V002</b> Hinge	<table border="1"><tr><td>3</td><td>7</td><td>4</td><td>1</td><td>1</td><td>2</td><td>0</td><td>11</td></tr></table>	3	7	4	1	1	2	0	11	Polished Gold	524 gr.	18 3 x 6 (Box x pcs. each)	€ 69,85
3	7	4	1	1	2	0	11						
 <b>GC300010J005</b> Aluminium caps		Gold Aluminium	1,6 gr.	576 8 x 72 (Box x pcs. each)	€ 0,341								

\*UL marked models available on request

<b>ACCESSORIES</b>	 <b>Door alignment device</b> Page 24	 <b>Aluminium jig</b> Page 27	 <b>Nylon jig</b> Page 27	 <b>Plate and shims</b> Page 29	 <b>Wedge</b> Page 30
--------------------	--	--	--	--	---

Short link



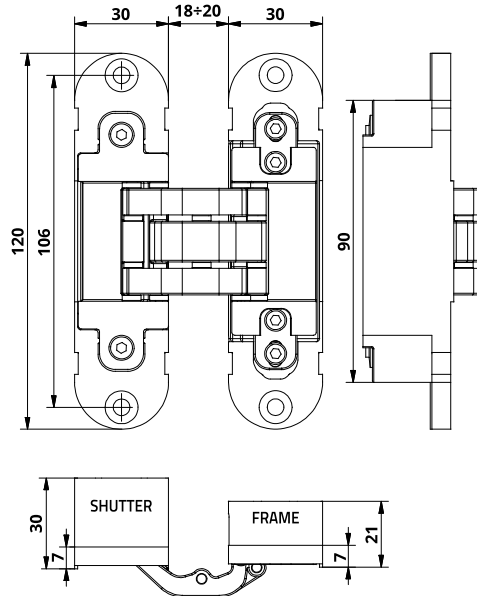
www.otlav.it - IN303



# INVISACTA IN305

3D adjustable concealed hinge - capacity 40 kg.



Satinized Silver



CODE	DOP	FINISHING	WEIGHT	Pcs / Box	PRICE PCS.
 <b>IN3051209P04</b> Hinge with aluminium caps included	2 7 2 0 1 4 0 7	Matt White (RAL 9016)	368 gr.	32 1 x 32 (Box x pcs. each)	€ 28,90
 <b>IN305120V705</b> Hinge with aluminium caps included	2 7 2 0 1 4 0 7	Satinized Silver	372 gr.	32 1 x 32 (Box x pcs. each)	€ 28,00

**ACCESSORIES**



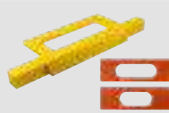
**Door alignment device**

Page 24



**Aluminium jig**

Page 27



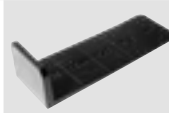
**Nylon jig**

Page 27



**Plate and shims**

Page 29



**Wedge**

Page 30

Short link



www.otlav.it - IN305

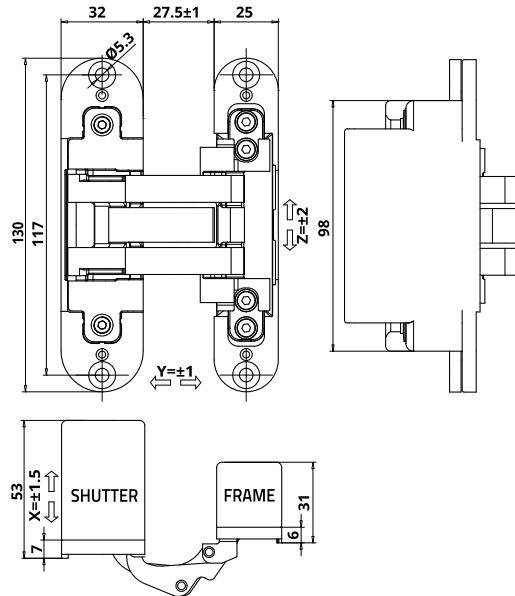





# INVISACTA IN570

3D offset adjustable concealed hinge - capacity 60 kg.



Satinized Silver

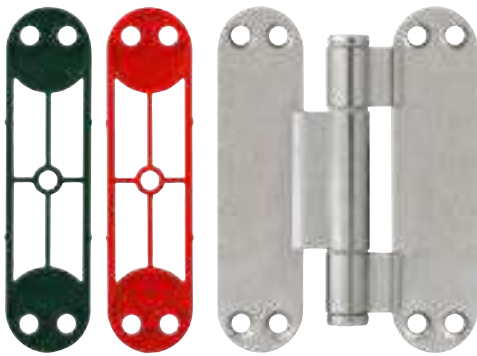


CODE	DOP	FINISHING	WEIGHT	Pcs / Box	PRICE PCS.
 <b>IN5701309N03</b> Hinge with caps included	2 7 3 0 1 4 0 10	Matt Black	870 gr.	12 12 x 1 (Box x pcs. each)	€ 69,00
 <b>IN570130V703</b> Hinge with caps included	2 7 3 0 1 4 0 10	Satinized Silver	870 gr.	12 12 x 1 (Box x pcs. each)	€ 67,50
 <b>IN570130VN03</b> Hinge with caps included	2 7 3 0 1 4 0 10	Satinized Nickel Plated	870 gr.	12 12 x 1 (Box x pcs. each)	€ 67,50

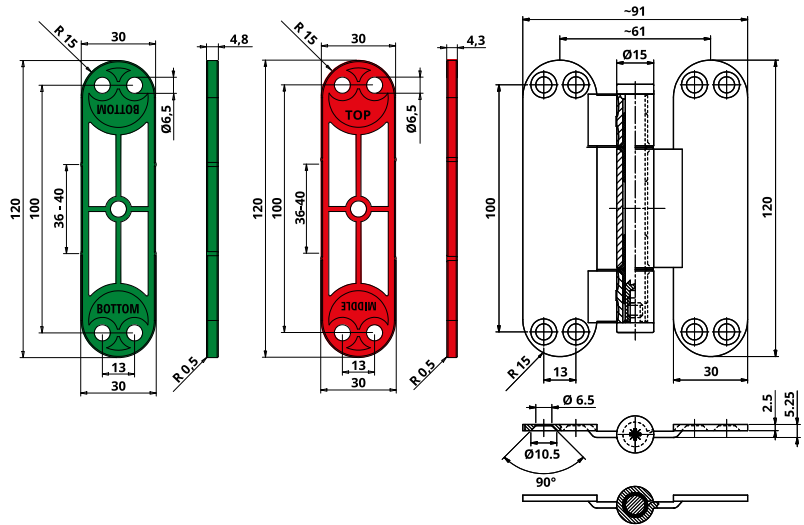
Short link



www.otlav.it - IN570



Nickel Plated



CODE	FINISHING	WEIGHT	Pcs / Box	PRICE PCS.
 <b>CI335150N035</b> Hinge with plates consistent with IN300, IN303 and IN305 milling - Kit containing 3 hinges, 4 green spacers, 4 red spacers and 24 screws.	Nickel Plated	252,4 gr.	48 4 x 12 (Box x pcs. each)	€ 31,70

ACCESSORIES		
	Aluminium jig Page 27	Nylon jig Page 27

Short link



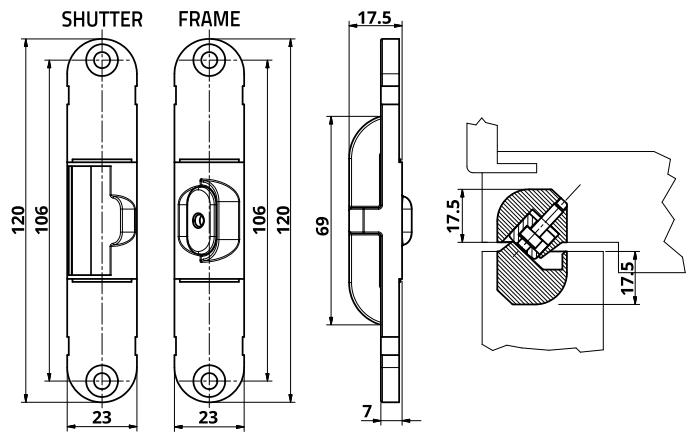
www.otlav.it - 335 Ø15



## AI 230

Door alignment device for IN230 and IN235



Satinized Silver



CODE	FINISHING	WEIGHT	Pcs / Box	PRICE PCS.
 <b>AI230120V702</b> Door alignment device	Satinized Silver	202 gr.	72 8 x 9 (Box x pcs. each)	€ 10,34
 <b>GC230010J102</b> Aluminium caps	Satinized Silver	1,23 gr.	576 8 x 72 (Box x pcs. each)	€ 0,256

Short link



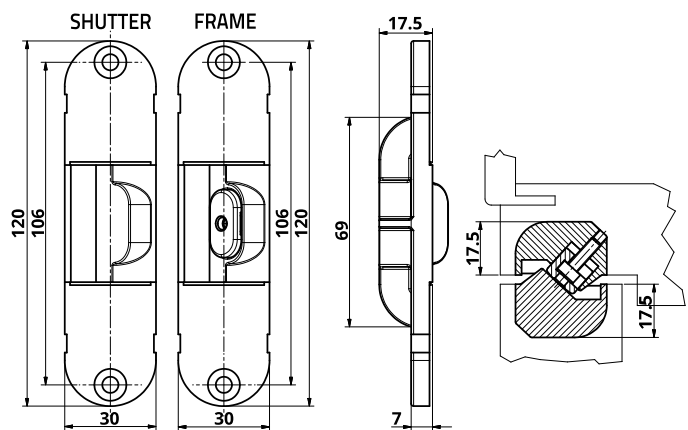
www.otlav.it - AI 230



## AI 300

Door alignment device for IN300, IN303 and IN305



Satinized Silver



CODE	FINISHING	WEIGHT	Pcs / Box	PRICE PCS.
 <b>AI300120V702</b> Door alignment device	Satinized Silver	234 gr.	48 8 x 6 (Box x pcs. each)	€ 10,34
 <b>GC300010J102</b> Aluminium caps	Satinized Silver	1,6 gr.	576 8 x 72 (Box x pcs. each)	€ 0,278

Short link

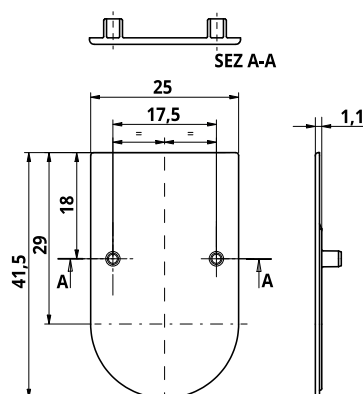



www.otlav.it - AI 300





Satinized Silver Nylon



CODE	FINISHING	WEIGHT	Pcs / Box	PRICE PCS.
 <b>GC2300107102</b>	Satinized Silver Nylon	1 gr.	576 8 x 72 (Box x pcs. each)	€ 0,136

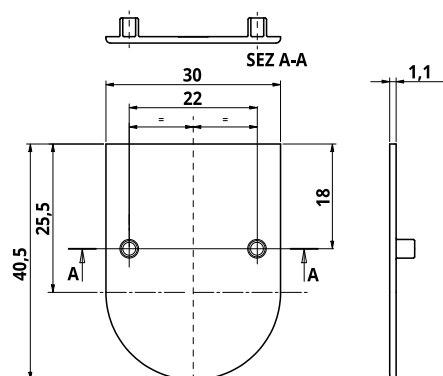
Short link



www.otlav.it - GC 230



Satinized Silver Nylon



CODE	FINISHING	WEIGHT	Pcs / Box	PRICE PCS.
 <b>GC3000107102</b>	Satinized Silver Nylon	1 gr.	576 8 x 72 (Box x pcs. each)	€ 0,15

Short link



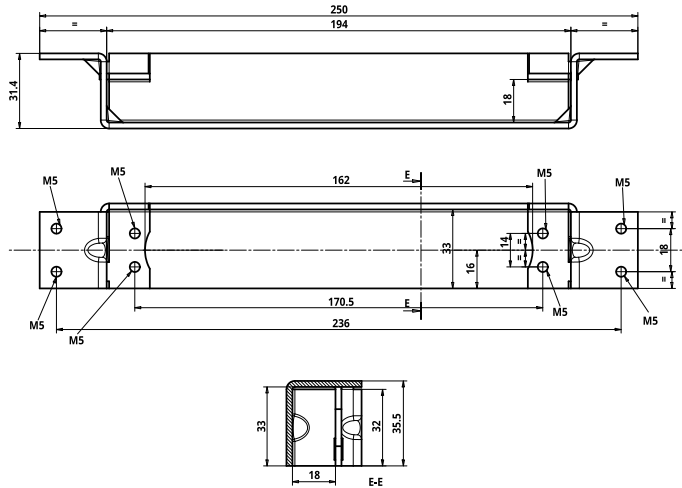
www.otlav.it - GC 300


## JC 522

Fixing plate for IN310 for metal frames, to be welded or screwed



Zinc Plated



CODE	FINISHING	WEIGHT	Pcs / Box	PRICE PCS.
 <b>JC522310H004</b> Fixing plate	Zinc Plated	320 gr.	24 1 x 24 (Box x pcs. each)	€ 12,46

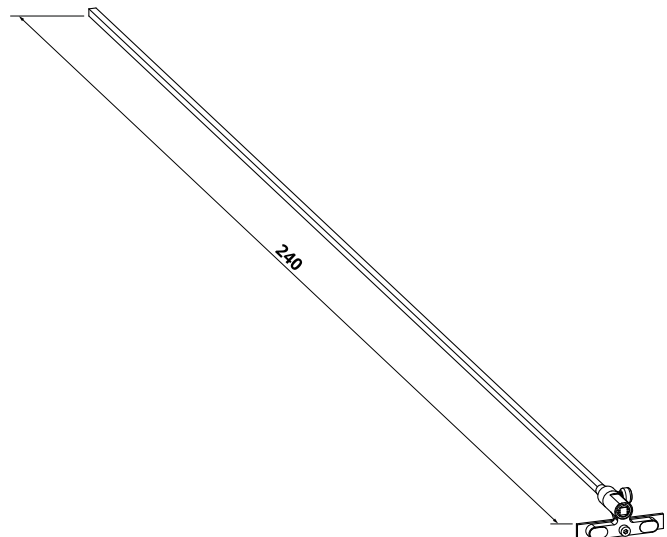
Short link




www.otlav.it - JC 522

## MU 800

Graduated rod for MUINV AL jig



CODE	WEIGHT	Pcs / Box	PRICE PCS.
 <b>MU800300G002</b> Graduated rod	3.560 gr.	1 (Tube)	€ 266,90

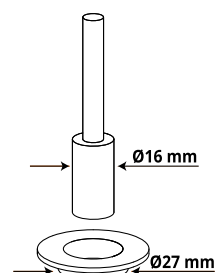
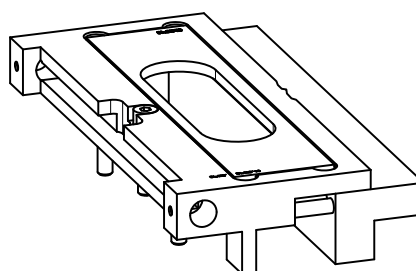
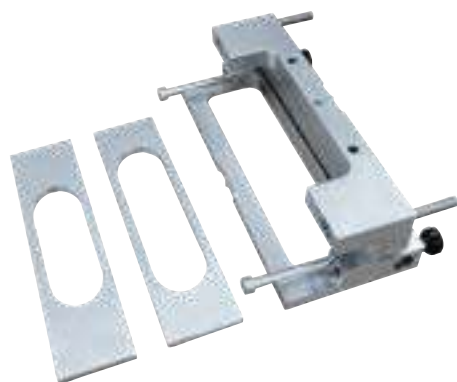
Short link







www.otlav.it - MU 800

## MU INV AL

Aluminium jig for INVISACTA hinges



End mill and router template guide not included

CODE	WEIGHT	Pcs / Box	PRICE PCS.
 <b>MUDIMINVG002</b> Aluminium holder for INVISACTA template guides	1.594 gr.	1	€ 350,00
 <b>MUMAS230G002</b> Jig guides for IN230 and IN235 hinges	305 gr.	1	€ 70,00
 <b>MUMAS300G002</b> Jig guides for IN300, IN305 and IN303 hinges	284 gr.	1	€ 70,00
 <b>MUMAS310G002</b> Jig guides for IN310 hinges	260 gr.	1	€ 70,00

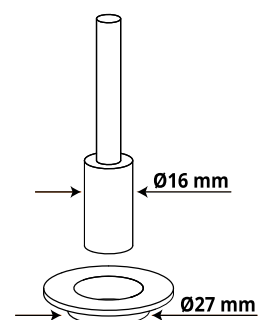
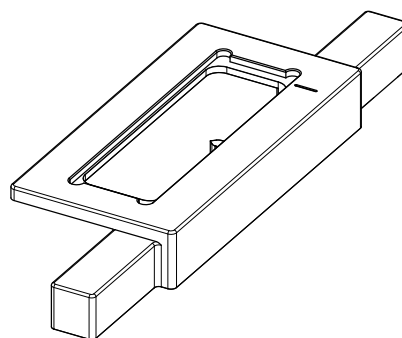
Short link







www.otlav.it - MU INV AL

## MU INV ABS

Nylon jig for INVISACTA hinges



End mill and router template guide not included

CODE	WEIGHT	Pcs / Box	PRICE PCS.
 <b>MUBAS500G002</b> Nylon holder for INVISACTA template guides	697 gr.	1	€ 30,00
 <b>MUMAS230W004</b> Jig and guides for IN230 and IN235 hinges	134 gr.	1	€ 18,00
 <b>MUMAS300R004</b> Jig guides for IN300, IN303 and IN305 hinges	110 gr.	1	€ 18,00
 <b>MUMAS310N004</b> Jig guides for IN310 hinges	97 gr.	1	€ 18,00

Short link



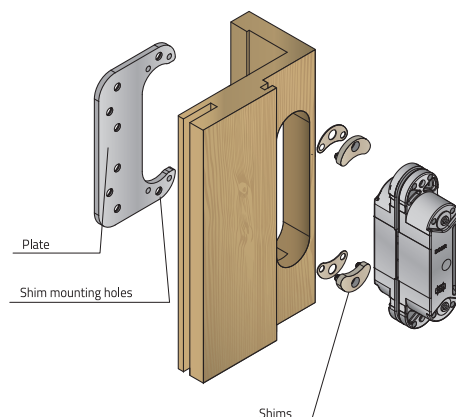
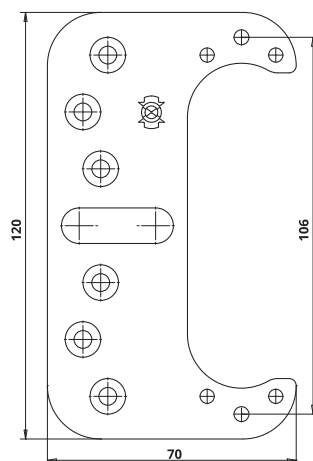
www.otlav.it - MU INV ABS







## NP 120

Plate and shims for IN300, IN303 and IN305



Zinc Plated 12 $\mu$



CODE	FINISHING	WEIGHT	Pcs / Box	PRICE PCS.
 <b>NP120040H502</b> Plate for IN300, IN303 and IN305	Zinc Plated 12 $\mu$	157 gr.	144 8 x 18 (Box x pcs. each)	€ 3,27
 <b>PP027G10Z003</b> Shims kit for IN300, IN303 and IN305 - 12 pieces thickness 0,5 mm and 12 pieces thickness 1 mm	Nylon	7 gr.	24 8 x 3 (Box x KIT x pcs. each)	€ 2,326
 <b>PP027V20Z003</b> Shims kit for IN300, IN303 and IN305 - 12 pieces thickness 0,5 mm and 12 pieces thickness 2 mm	Nylon	10 gr.	24 8 x 3 (Box x KIT x pcs. each)	€ 2,373
 <b>PP027R30Z003</b> Shims kit for IN300, IN303 and IN305 - 12 pieces thickness 0,5 mm and 12 pieces thickness 3 mm	Nylon	13 gr.	24 8 x 3 (Box x KIT x pcs. each)	€ 2,411
 <b>PP027B40Z003</b> Shims kit for IN300, IN303 and IN305 - 12 pieces thickness 0,5 mm and 12 pieces thickness 4 mm	Nylon	20 gr.	24 8 x 3 (Box x KIT x pcs. each)	€ 2,45
 <b>PP027N50Z003</b> Shims kit for IN300, IN303 and IN305 - 12 pieces thickness 0,5 mm and 12 pieces thickness 5 mm	Nylon	23 gr.	24 8 x 3 (Box x KIT x pcs. each)	€ 2,79

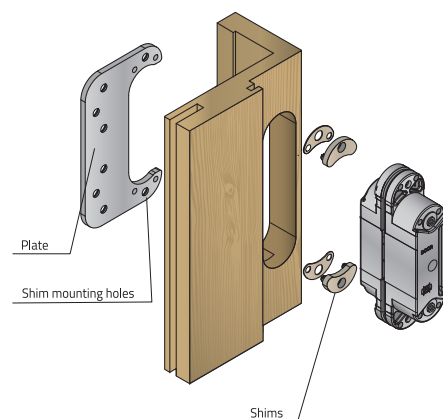
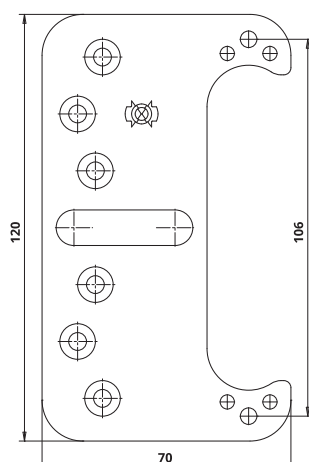
Short link






www.otlav.it - NP 120



Zinc Plated 12μ



CODE	FINISHING	WEIGHT	Pcs / Box	PRICE PCS.
 <b>NP120040H504</b> Plate for IN230 and IN235	Zinc Plated 12μ	173 gr.	144 8 x 18 (Box x pcs. each)	€ 3,30
 <b>PP020G10Z003</b> Shims kit for IN230 and IN235 - 12 pieces thickness 0,5 mm and 12 pieces thickness 1 mm	Nylon	7 gr.	24 8 x 3 (Box x KIT x pcs. each)	€ 2,326
 <b>PP020V20Z003</b> Shims kit for IN230 and IN235 - 12 pieces thickness 0,5 mm and 12 pieces thickness 2 mm	Nylon	10 gr.	24 8 x 3 (Box x KIT x pcs. each)	€ 2,373
 <b>PP020R30Z003</b> Shims kit for IN230 and IN235 - 12 pieces thickness 0,5 mm and 12 pieces thickness 3 mm	Nylon	13 gr.	24 8 x 3 (Box x KIT x pcs. each)	€ 2,411
 <b>PP020B40Z003</b> Shims kit for IN230 and IN235 - 12 pieces thickness 0,5 mm and 12 pieces thickness 4 mm	Nylon	20 gr.	24 8 x 3 (Box x KIT x pcs. each)	€ 2,45
 <b>PP020N50Z003</b> Shims kit for IN230 and IN235 - 12 pieces thickness 0,5 mm and 12 pieces thickness 5 mm	Nylon	23 gr.	24 8 x 3 (Box x KIT x pcs. each)	€ 2,488

Short link



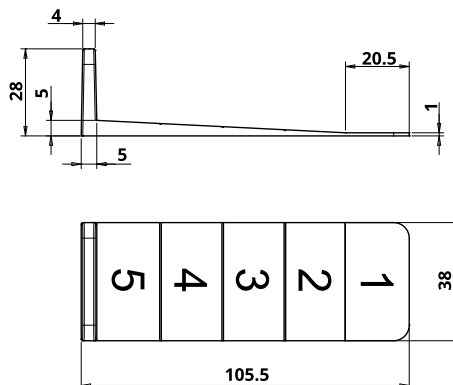
www.otlav.it - NP 120


## PP 105

Wedge with 5 spacers (1-2-3-4-5 mm)



Black Nylon



CODE	FINISHING	WEIGHT	Pcs / Box	PRICE PCS.
 <b>PP105050Y202</b> Wedge	Black Nylon	14 gr.	1 (Unpacked)	€ 0,58

Short link



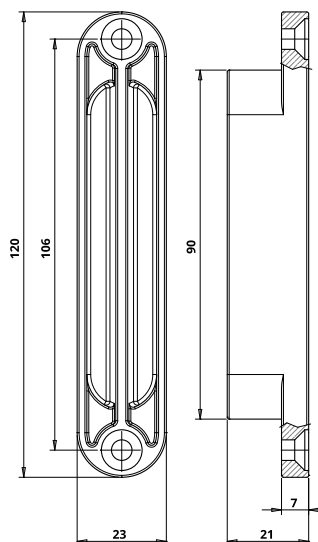
www.otlav.it - PP 105


## TP 230

Nylon cap for IN230 and IN235



Yellow



CODE	FINISHING	WEIGHT	Pcs / Box	PRICE PCS.
 <b>TP230120Z002</b> Cap for hole	Yellow Nylon	24 gr.	1 (Unpacked)	€ 0,98

Short link



www.otlav.it - TP 230

# PVC

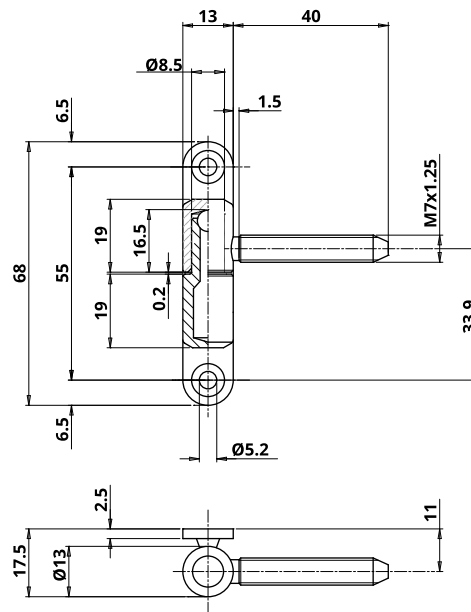








## P09 Ø13

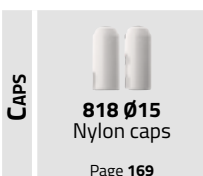
Hinge - male part on plate, female part pin M7x40 mm



White (RAL 9010)



CODE	FINISHING	WEIGHT	Pcs / Box	PRICE PCS.	TOT.
 <b>CF030130H023</b> Door part	Zinc Plated	19,62 gr.	500 1 x 500 (Box x pcs. each)	€ 0,221	€ 0,707
 <b>CGP09130H005</b> Frame part	Zinc Plated	32,16 gr.	500 1 x 500 (Box x pcs. each)	€ 0,486	
 <b>CF030130P347</b> Door part on loader	White (RAL 9010)	18,87 gr.	342 1 x 342 (Box x pcs. each)	€ 0,396	€ 1,079
 <b>CGP09130P306</b> Frame part	White (RAL 9010)	32,17 gr.	520 4 x 130 (Box x pcs. each)	€ 0,683	
 <b>CF030130P904</b> Door part on loader	Grey (RAL 7035)	18,87 gr.	342 1 x 342 (Box x pcs. each)	€ 0,436	€ 1,168
 <b>CGP09130P902</b> Frame part	Grey (RAL 7035)	32,17 gr.	520 4 x 130 (Box x pcs. each)	€ 0,732	



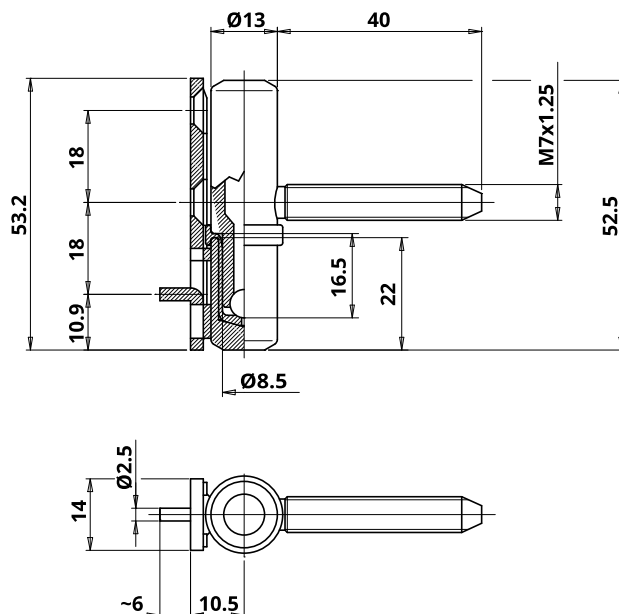
www.otlav.it - P09 Ø13







Hinge - female part on plate and nylon bush with ring, male part pin M7x40 mm



Grey (9F)



CODE	FINISHING	WEIGHT	Pcs / Box	PRICE PCS.	TOT.
 <b>CFP391309F54</b> Door part on loader	Grey (9F)	30,27 gr.	342 1 x 342 (Box x pcs. each)	€ 0,649	€ 1,451
 <b>CGP361309F52</b> Frame part	Grey (9F)	24,66 gr.	504 1 x 504 (Box x pcs. each)	€ 0,802	
 <b>CFP39130P316</b> Door part on loader	White (RAL 9010)	30,27 gr.	342 1 x 342 (Box x pcs. each)	€ 0,566	€ 1,211
 <b>CGP36130P302</b> Frame part	White (RAL 9010)	24,66 gr.	680 4 x 170 (Box x pcs. each)	€ 0,645	

Tools



**MC703P39G002**  
Wooden jig for overlay doors  
Page 157

Short link



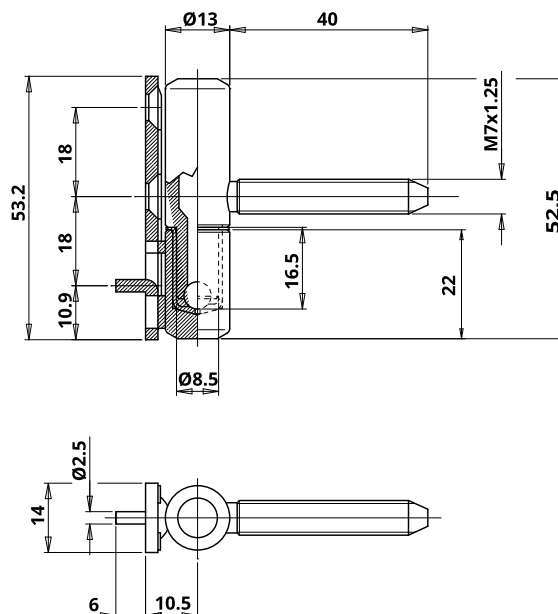
www.otlav.it - P36 Ø13












## P38 Ø13

Hinge - female part on plate and nylon bush, male part pin M7x40 mm



Grey (RAL 7035)



CODE	FINISHING	WEIGHT	Pcs / Box	PRICE PCS.	TOT.
 <b>CFP391309F54</b> Door part on loader	Grey (9F)	30,27 gr.	342 1 x 342 (Box x pcs. each)	€ 0,649	€ 1,544
 <b>CGP381309F59</b> Frame part on loader	Grey (9F)	24,9 gr.	504 1 x 504 (Box x pcs. each)	€ 0,895	
 <b>CFP39130P202</b> Door part on loader	Black	30,27 gr.	342 1 x 342 (Box x pcs. each)	€ 1,015	€ 1,933
 <b>CGP38130P228</b> Frame part on loader	Black	24,9 gr.	504 1 x 504 (Box x pcs. each)	€ 0,918	
 <b>CFP39130P316</b> Door part on loader	White (RAL 9010)	30,27 gr.	342 1 x 342 (Box x pcs. each)	€ 0,566	€ 1,313
 <b>CGP38130P340</b> Frame part on loader	White (RAL 9010)	24,9 gr.	504 1 x 504 (Box x pcs. each)	€ 0,747	
 <b>CFP39130P905</b> Door part on loader	Grey (RAL 7035)	30,27 gr.	342 1 x 342 (Box x pcs. each)	€ 0,611	€ 1,44
 <b>CGP38130P904</b> Frame part on loader	Grey (RAL 7035)	24,9 gr.	504 1 x 504 (Box x pcs. each)	€ 0,829	
 <b>CFP39130PI04</b> Door part on loader	White (RAL 9016)	30,27 gr.	342 1 x 342 (Box x pcs. each)	€ 0,582	€ 1,329
 <b>CGP38130PI34</b> Frame part on loader	White (RAL 9016)	24,9 gr.	504 1 x 504 (Box x pcs. each)	€ 0,747	
 <b>CFP39130PU02</b> Door part on loader	Clay Brown (RAL 8003)	30,27 gr.	342 1 x 342 (Box x pcs. each)	€ 0,614	€ 1,443
 <b>CGP38130PU04</b> Frame part on loader	Clay Brown (RAL 8003)	24,9 gr.	504 1 x 504 (Box x pcs. each)	€ 0,829	

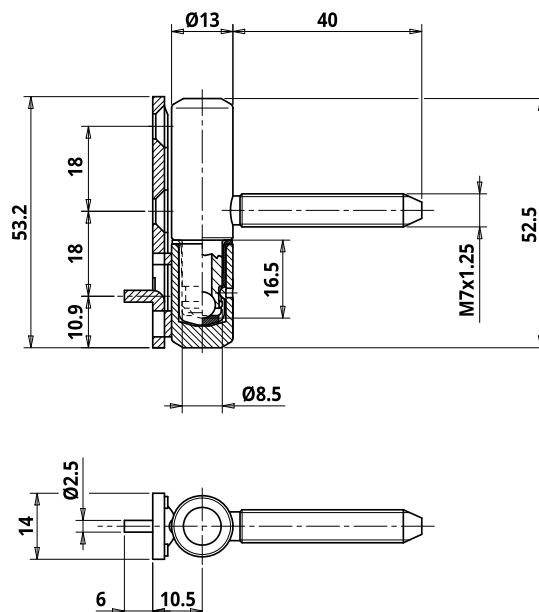


www.otlav.it - P38 Ø13





Wasistas Hinge - female part on plate and nylon bush, male part pin M7x40 mm



White (RAL 9010)



PVC

CODE	FINISHING	WEIGHT	Pcs / Box	PRICE PCS.	TOT.
 <b>CFP39130P353</b> Door part on loader	White (RAL 9010)	30,27 gr.	342 1 x 342 (Box x pcs. each)	€ 0,748	€ 1,61
 <b>CGP38130P328</b> Frame part on loader	White (RAL 9010)	24,9 gr.	504 1 x 504 (Box x pcs. each)	€ 0,862	
 <b>CFP39130PI18</b> Door part on loader	White (RAL 9016)	30,27 gr.	342 1 x 342 (Box x pcs. each)	On request	
 <b>CGP38130PI16</b> Frame part on loader	White (RAL 9016)	24,9 gr.	504 1 x 504 (Box x pcs. each)	On request	

TOOLS



**MC703P39G002**  
Wooden jig for overlay doors  
Page 157

Short link



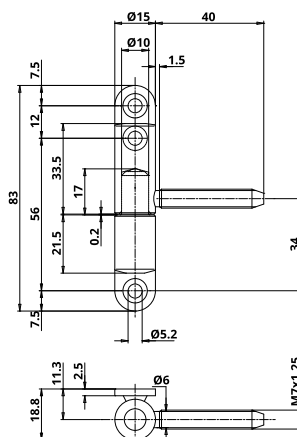
www.otlav.it - P38 Ø13





## P50 Ø15

Hinge - male part on plate, female part pin M7x40 mm



White (RAL 9010)



CODE	FINISHING	WEIGHT	Pcs / Box	PRICE PCS.	TOT.
 <b>CFP50150H047</b> Door part	Zinc Plated	42,16 gr.	400 1 x 400 (Box x pcs. each)	€ 0,447	€ 1,086
 <b>CGP50150H005</b> Frame part	Zinc Plated	43,42 gr.	400 1 x 400 (Box x pcs. each)	€ 0,639	
 <b>CFP50150P392</b> Door part on loader	White (RAL 9010)	41,58 gr.	270 1 x 270 (Box x pcs. each)	€ 0,65	€ 1,519
 <b>CGP50150P312</b> Frame part	White (RAL 9010)	44,47 gr.	360 4 x 90 (Box x pcs. each)	€ 0,869	

Short link



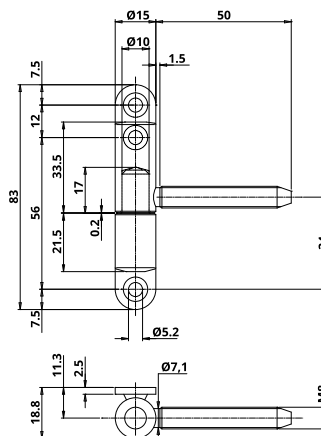
www.otlav.it - P50 Ø15





## P50 Ø15

Hinge - male part on plate, female part pin M8x50 mm



Zinc Plated



CODE	FINISHING	WEIGHT	Pcs / Box	PRICE PCS.	TOT.
 <b>CFP50150H049</b> Door part	Zinc Plated	48,44 gr.	400 1 x 400 (Box x pcs. each)	€ 0,537	€ 1,176
 <b>CGP50150H005</b> Frame part	Zinc Plated	43,42 gr.	400 1 x 400 (Box x pcs. each)	€ 0,639	
 <b>CFP50150P393</b> Door part on loader	White (RAL 9010)	51,51 gr.	270 1 x 270 (Box x pcs. each)	€ 0,726	€ 1,595
 <b>CGP50150P312</b> Frame part	White (RAL 9010)	44,47 gr.	360 4 x 90 (Box x pcs. each)	€ 0,869	

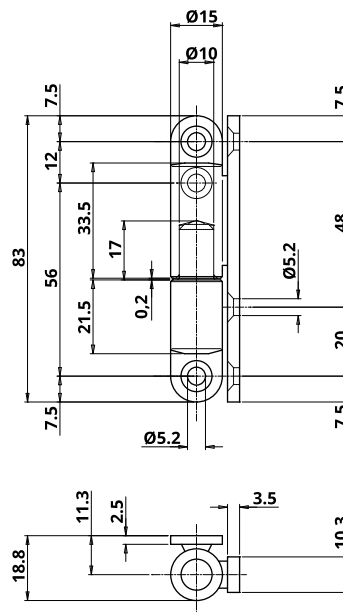
Short link







www.otlav.it - P50 Ø15



White (RAL 9010)



CODE	FINISHING	WEIGHT	Pcs / Box	PRICE PCS.	TOT.
 <b>CFP50150H046</b> Door part	Zinc Plated	52,95 gr.	400 1 x 400 (Box x pcs. each)	€ 0,82	€ 1,459
 <b>CGP50150H005</b> Frame part	Zinc Plated	43,42 gr.	400 1 x 400 (Box x pcs. each)	€ 0,639	
 <b>CFP50150P361</b> Door part	White (RAL 9010)	53,13 gr.	360 4 x 90 (Box x pcs. each)	€ 1,093	€ 1,962
 <b>CGP50150P312</b> Frame part	White (RAL 9010)	44,47 gr.	360 4 x 90 (Box x pcs. each)	€ 0,869	

Short link



www.otlav.it - P50 Ø15

# TRIXACTA

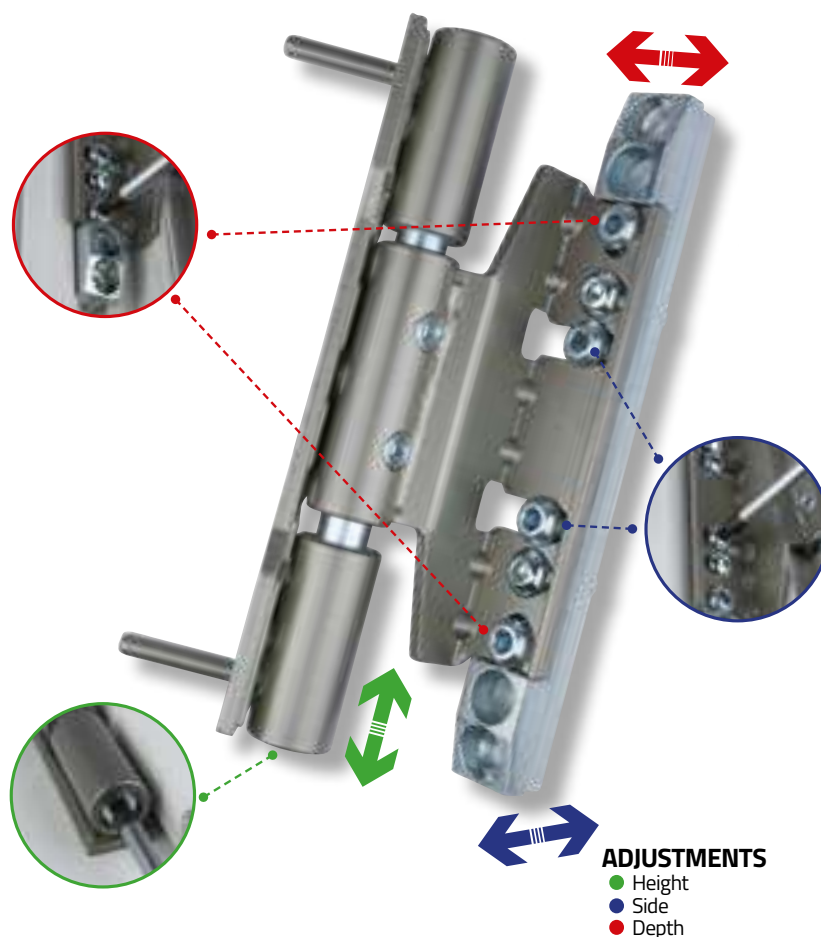


Reversible



TRIXACTA guarantees top quality and reliable performance, and has passed CE tests for a capacity of 160 kg.

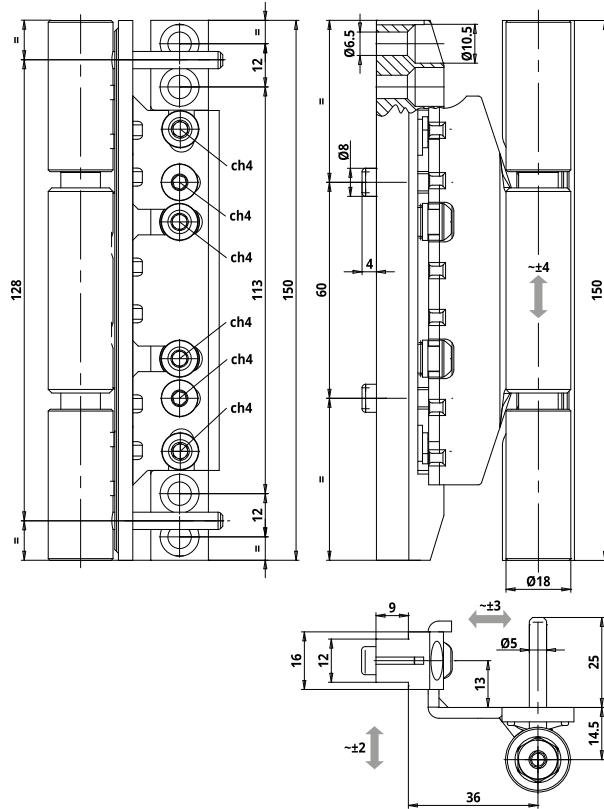
TRIXACTA facilitates rapid installation on European groove profiles with 12 mm clearance and 13mm axis; is adjustable on three axes by means of a single 4mm hex wrench. The end caps are available in several finishes to provide versatile, elegant and modern design.





3D adjustable hinge for profiles with European groove with 13 mm axis - for heavy doors




Grey (9F)



CODE	FINISHING	WEIGHT	Pcs / Box	PRICE PCS.
 <b>CI4731809F02</b> Complete hinge	Grey (9F)	703 gr.	9* 3 x 3 (Box x pcs. Each)	€ 46,20
 <b>CI473180PI02</b> Complete hinge	White (RAL 9016)	703 gr.	9* 3 x 3 (Box x pcs. Each)	€ 46,20

\*Each box includes: 3 complete hinges, 3 caps kit, 21 screws T25 Ø6.3x45.

**Tools**



**MC 703**  
Aluminium jigs for overlay doors  
Page 158




















Short link



www.otlav.it - TRIXACTA 473 Ø18

# Possible Combinations

## Exacta - Bixacta - Ursus

 <p>MALE <b>URSUS Ø16</b></p>	 <p><b>URSUS Ø16</b> 3D adjustable hinge with 5 pins</p>	 <p><b>MIXACTA 483</b> 3D adjustable hinge for profiles with European groove with 13 mm axis</p>	 <p><b>MIXACTA 483</b> 3D adjustable hinge for profiles with European groove with 9 mm axis</p>
 <p>MALE <b>EXACTA Ø16</b></p>	 <p><b>EXACTA Ø16</b> 3D adjustable hinge with 4 pins</p>	 <p><b>MIXACTA 483</b> 3D adjustable hinge for profiles with European groove with 13 mm axis</p>	 <p><b>MIXACTA 483</b> 3D adjustable hinge for profiles with European groove with 9 mm axis</p>
 <p>MALE <b>BIXACTA Ø16</b> PEGS Ø5x26</p>	 <p><b>MIXACTA 482</b> 2D adjustable hinge with plate</p>	 <p><b>BIXACTA 483</b> 3D adjustable hinge for profiles with European groove with 13 mm axis</p>	 <p><b>BIXACTA 483</b> 3D adjustable hinge for profiles with European groove with 9 mm axis</p>
 <p>MALE <b>BIXACTA Ø16</b></p>	 <p><b>MIXACTA 482</b> 2D adjustable hinge with plate</p>	 <p><b>BIXACTA 483</b> 3D adjustable hinge for profiles with European groove with 13 mm axis</p>	 <p><b>BIXACTA 483</b> 3D adjustable hinge for profiles with European groove with 9 mm axis</p>
<p><b>MALE</b></p> <p><b>FEMALE</b></p>	 <p>FEMALE <b>EXACTA Ø16</b></p>	 <p>FEMALE <b>BIXACTA Ø16</b> AXIS 13 mm</p>	 <p>FEMALE <b>BIXACTA Ø16</b> AXIS 9 mm</p>



# MIXACTA 2D 482 Ø16

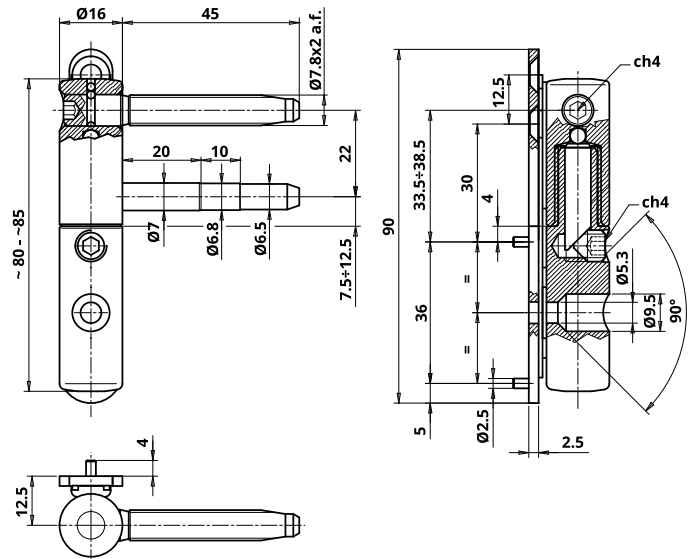
2D adjustable hinge - Female part with 2 pins, adjustable, with nylon bush - Adjustable male part on plate








Zinc Plated 12µ



4 7 5 0 1 2 0 1 2



CODE	FINISHING	WEIGHT	Pcs / Box	PRICE PCS.	TOT.
 <b>CF4951609F60</b> Door part	Grey (9F)	66 gr.	200 4 x 50 (Box x pcs. each)	€ 3,25	€ 8,81
 <b>CG4821609F56</b> Frame part	Grey (9F)	95 gr.	200 4 x 50 (Box x pcs. each)	€ 5,56	
 <b>GC8381709F52</b> Aluminium caps	Grey (9F)	3,32 gr.	160 4 x 40 (Box x pcs. each)	€ 1,646	
 <b>CF495160H502</b> Door part	Zinc Plated 12µ	64,44 gr.	200 4 x 50 (Box x pcs. each)	€ 2,046	€ 7,016
 <b>CG482160H504</b> Frame part	Zinc Plated 12µ	95 gr.	192 4 x 48 (Box x pcs. each)	€ 4,97	
 <b>CF495160PI03</b> Door part	White (RAL 9016)	66 gr.	200 4 x 50 (Box x pcs. each)	€ 2,95	€ 8,15
 <b>CG482160PI06</b> Frame part	White (RAL 9016)	95 gr.	200 4 x 50 (Box x pcs. each)	€ 5,20	
 <b>GC838170PI02</b> Aluminium cap	White (RAL 9016)	3,32 gr.	160 4 x 40 (Box x pcs. each)	€ 1,79	
 <b>GC838180Y603</b> Nylon cap	White Nylon (RAL 9016)	2,41 gr.	480 4 x 120 (Box x pcs. each)	€ 0,221	
 <b>GC846170PI02</b> Aluminium cap	White (RAL 9016)	3,42 gr.	160 4 x 40 (Box x pcs. each)	€ 1,91	

<b>CAPS</b>					
	<b>838 Ø17</b> Aluminium caps	<b>838 Ø18</b> Brass caps	<b>838 Ø18</b> Nylon caps	<b>839 Ø18</b> Brass caps	<b>846 Ø17</b> Aluminium caps
	Page 173	Page 175	Page 175	Page 178	Page 180

Short link



www.otlav.it - MIXACTA 2D 482 Ø16

# MIXACTA 2D 482 Ø16

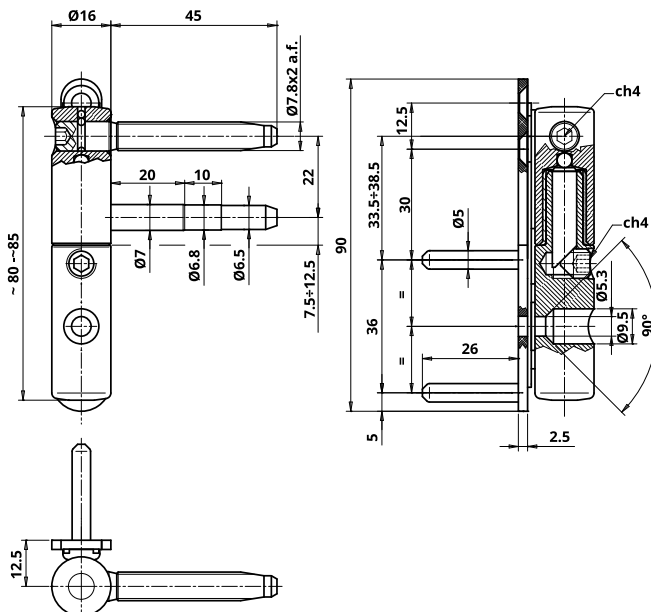
2D adjustable hinge - Female part with 2 pins, adjustable, with nylon bush - Adjustable male part on plate - pegs Ø5x26 mm





Zinc Plated 12µ



4 7 5 0 1 2 0 12



CODE	FINISHING	WEIGHT	Pcs / Box	PRICE PCS.	TOT.
 <b>CF495160H502</b> Door part	Zinc Plated 12µ	64,44 gr.	200 4 x 50 (Box x pcs. each)	€ 2,046	€ 9,336
 <b>CG482160H517</b> Frame part	Zinc Plated 12µ	102 gr.	96 8 x 12 (Box x pcs. each)	€ 7,29	

CAPS



**838 Ø17**  
Aluminium caps

Page 173



**838 Ø18**  
Brass caps

Page 175



**838 Ø18**  
Nylon caps

Page 175



**839 Ø18**  
Brass caps

Page 178



**846 Ø17**  
Aluminium caps

Page 180

Short link



www.ottau.it - MIXACTA 2D 482 Ø16

# BIXACTA

CE

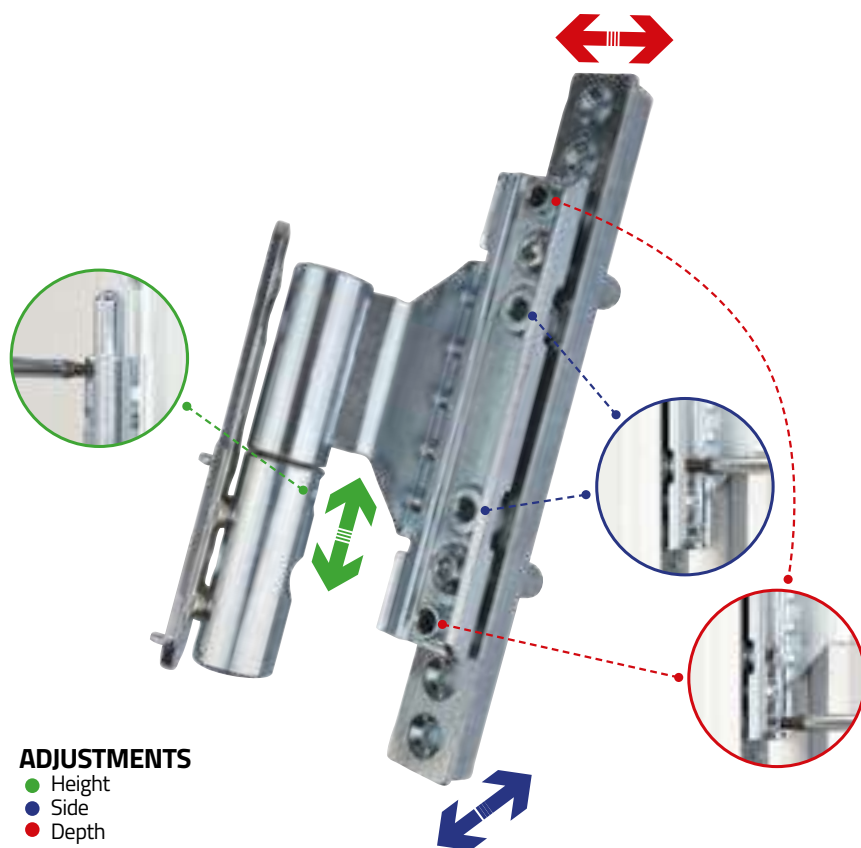
3D

80kg



PVC

**CE certified** hinge, the door part is suitable to be fitted in the **European groove axis 13 mm or axis 9 mm** with 12 mm clearance. The male part is available with three different types of pegs and two plate models. Discreet, elegant hinge distinguished by ease of installation and **three-dimensional adjustment** with the door fitted. Available in different kind of finishing, suitable for wooden door equipped with European groove.



## ADJUSTMENTS

- Height
- Side
- Depth



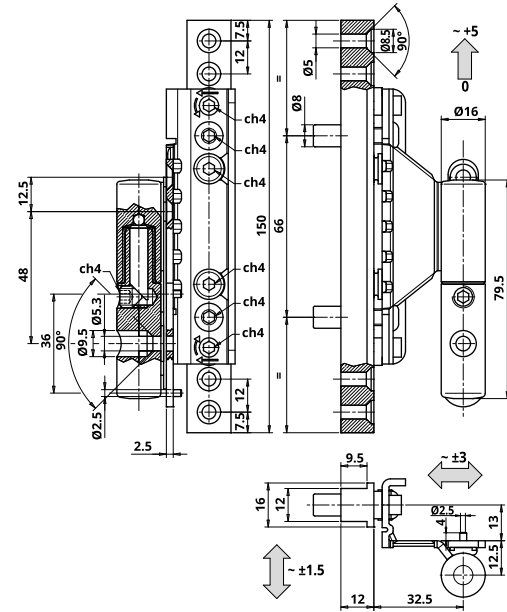
3D adjustable hinge for profiles with European groove with 13 mm axis - male part on plate pegs Ø2,5x4 mm - DIN right




Zinc Plated 12µ


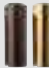





3 7 4 0 1 2 0 11



CODE	FINISHING	WEIGHT	Pcs / Box	PRICE PCS.	TOT.
 <b>CF483160H511</b> Door part	Zinc Plated 12µ	264,9 gr.	48 4 x 12 (Box x pcs. each)	€ 15,40	€ 20,37
 <b>CG482160H504</b> Frame part	Zinc Plated 12µ	95 gr.	192 4 x 48 (Box x pcs. each)	€ 4,97	
 <b>CI4831609F54</b> Complete hinge	Grey (9F)	366,8 gr.	24 4 x 6 (Box x pcs. each)	€ 24,09	
 <b>GC8381709F52</b> Aluminium caps	Grey (9F)	3,32 gr.	160 4 x 40 (Box x pcs. each)	€ 1,646	
 <b>CI483160P307</b> Complete hinge	White (RAL 9010)	366,8 gr.	24 4 x 6 (Box x pcs. each)	€ 22,11	
 <b>GC838180Y305</b> Nylon cap	White Nylon (RAL 9010)	2,41 gr.	480 4 x 120 (Box x pcs. each)	€ 0,221	
 <b>GC846170P302</b> Aluminium cap	White (RAL 9010)	3,42 gr.	160 4 x 40 (Box x pcs. each)	€ 1,616	
 <b>CI483160PI04</b> Complete hinge	White (RAL 9016)	366,8 gr.	24 4 x 6 (Box x pcs. each)	€ 22,11	
 <b>GC838170PI02</b> Aluminium cap	White (RAL 9016)	3,32 gr.	160 4 x 40 (Box x pcs. each)	€ 1,79	
 <b>GC838180Y603</b> Nylon cap	White Nylon (RAL 9016)	2,41 gr.	480 4 x 120 (Box x pcs. each)	€ 0,221	
 <b>GC846170PI02</b> Aluminium cap	White (RAL 9016)	3,42 gr.	160 4 x 40 (Box x pcs. each)	€ 1,91	

<b>TOOLS</b>	 <b>MA703483G002</b> Aluminium toolkit for overlay doors Page 153	 <b>MC703483G010</b> Aluminium jig for overlay doors Page 157	 <b>MU803483G002</b> Rod Page 163
--------------	--	--	--

<b>CAPS</b>	 <b>838 Ø17</b> Aluminium caps Page 173	 <b>838 Ø18</b> Brass caps Page 175	 <b>838 Ø18</b> Nylon caps Page 175	 <b>839 Ø18</b> Brass caps Page 178	 <b>846 Ø17</b> Aluminium caps Page 180
-------------	--	--	--	--	---

Short link



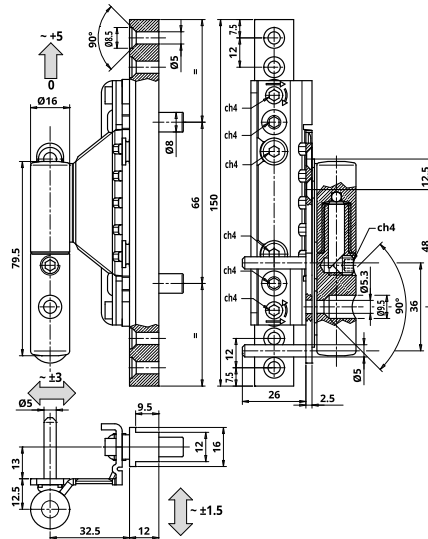
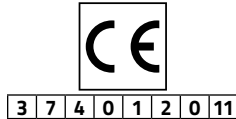
www.otlav.it - BIXACTA 483 Ø16



## BIXACTA 483 Ø16








3D adjustable hinge for profiles with European groove with 13 mm axis - male part on plate pegs Ø5x26 mm - DIN left



Zinc Plated 12µ



CODE	FINISHING	WEIGHT	Pcs / Box	PRICE PCS.	Tot.
 <b>CF483160H510</b> Door part	Zinc Plated 12µ	264,9 gr.	48 4 x 12 (Box x pcs. each)	€ 15,40	€ 22,69
 <b>CG482160H517</b> Frame part	Zinc Plated 12µ	102 gr.	96 8 x 12 (Box x pcs. each)	€ 7,29	

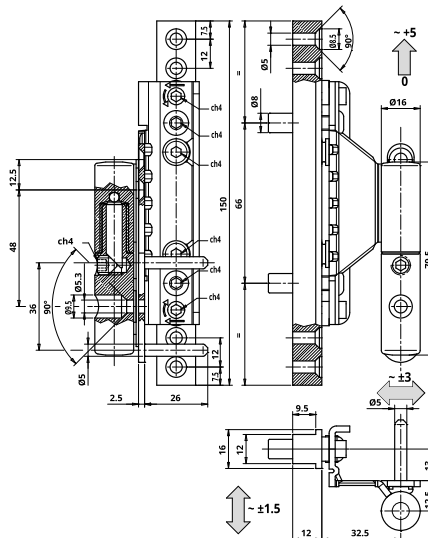
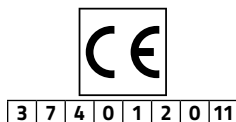
<b>TOOLS</b>  <b>MC703483G010</b> Aluminium jig for overlay doors Page 157	<b>CAPS</b>  <b>838 Ø17</b> Aluminium caps Page 173	 <b>838 Ø18</b> Brass caps Page 175	 <b>838 Ø18</b> Nylon caps Page 175	 <b>839 Ø18</b> Brass caps Page 178	 <b>846 Ø17</b> Aluminium caps Page 180	<b>Short link</b>  www.otlav.it - BIXACTA 483 Ø16
---	--	---	---	--	---	---



## BIXACTA 483 Ø16








3D adjustable hinge for profiles with European groove with 13 mm axis - male part on plate pegs Ø5x26 mm - DIN right



Zinc Plated 12µ



CODE	FINISHING	WEIGHT	Pcs / Box	PRICE PCS.	Tot.
 <b>CF483160H511</b> Door part	Zinc Plated 12µ	264,9 gr.	48 4 x 12 (Box x pcs. each)	€ 15,40	€ 22,69
 <b>CG482160H517</b> Frame part	Zinc Plated 12µ	102 gr.	96 8 x 12 (Box x pcs. each)	€ 7,29	

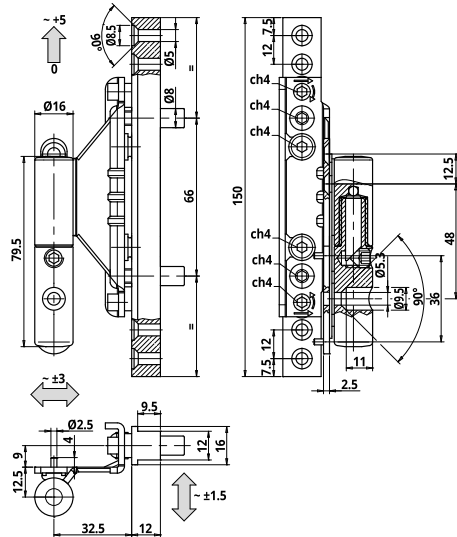
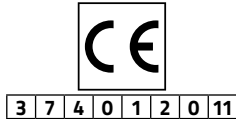
<b>TOOLS</b>  <b>MC703483G010</b> Aluminium jig for overlay doors Page 157	<b>CAPS</b>  <b>838 Ø17</b> Aluminium caps Page 173	 <b>838 Ø18</b> Brass caps Page 175	 <b>838 Ø18</b> Nylon caps Page 175	 <b>839 Ø18</b> Brass caps Page 178	 <b>846 Ø17</b> Aluminium caps Page 180	<b>Short link</b>  www.otlav.it - BIXACTA 483 Ø16
---	--	---	---	--	---	--



## BIXACTA 483 Ø16







3D adjustable hinge for profiles with European groove with 9 mm axis - male part on plate pegs Ø2,5x4 mm - DIN left



Zinc Plated 12µ



CODE	FINISHING	WEIGHT	Pcs / Box	PRICE PCS.	Tot.
 <b>CF483160H515</b> Door part	Zinc Plated 12µ	255,9 gr.	48 4 x 12 (Box x pcs. each)	€ 15,40	€ 20,37
 <b>CG482160H504</b> Frame part	Zinc Plated 12µ	95 gr.	192 4 x 48 (Box x pcs. each)	€ 4,97	

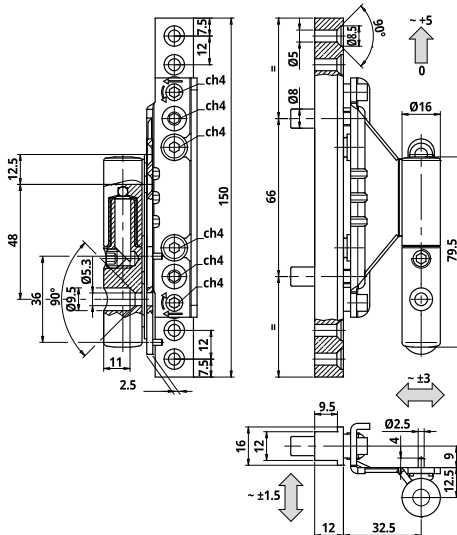
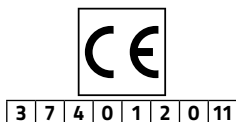
<b>TOOLS</b> MC703483G010 Aluminium jig for overlay doors Page 157	<b>CAPS</b>	 <b>838 Ø17</b> Aluminium caps Page 173	 <b>838 Ø18</b> Brass caps Page 175	 <b>838 Ø18</b> Nylon caps Page 175	 <b>839 Ø18</b> Brass caps Page 178	 <b>846 Ø17</b> Aluminium caps Page 180	<b>Short link</b>  <a href="http://www.otlav.it - BIXACTA 483 Ø16">www.otlav.it - BIXACTA 483 Ø16</a>



## BIXACTA 483 Ø16







3D adjustable hinge for profiles with European groove with 9 mm axis - male part on plate pegs Ø2,5x4 mm - DIN right



Zinc Plated 12µ



CODE	FINISHING	WEIGHT	Pcs / Box	PRICE PCS.	Tot.
 <b>CF483160H519</b> Door part	Zinc Plated 12µ	255,9 gr.	48 4 x 12 (Box x pcs. each)	€ 15,40	€ 20,37
 <b>CG482160H504</b> Frame part	Zinc Plated 12µ	95 gr.	192 4 x 48 (Box x pcs. each)	€ 4,97	

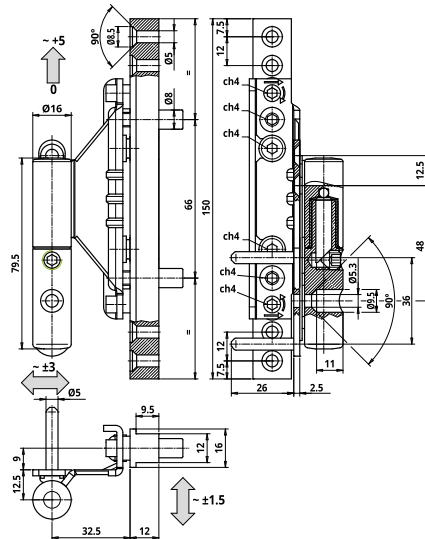
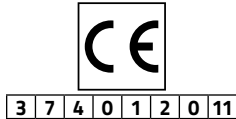
<b>TOOLS</b> MC703483G010 Aluminium jig for overlay doors Page 157	<b>CAPS</b>	 <b>838 Ø17</b> Aluminium caps Page 173	 <b>838 Ø18</b> Brass caps Page 175	 <b>838 Ø18</b> Nylon caps Page 175	 <b>839 Ø18</b> Brass caps Page 178	 <b>846 Ø17</b> Aluminium caps Page 180	<b>Short link</b>  <a href="http://www.otlav.it - BIXACTA 483 Ø16">www.otlav.it - BIXACTA 483 Ø16</a>



## BIXACTA 483 Ø16








3D adjustable hinge for profiles with European groove with 9 mm axis - male part on plate pegs Ø5x26 mm - DIN left



Zinc Plated 12µ



CODE	FINISHING	WEIGHT	Pcs / Box	PRICE PCS.	Tot.
 <b>CF483160H515</b> Door part	Zinc Plated 12µ	255,9 gr.	48 4 x 12 (Box x pcs. each)	€ 15,40	€ 22,69
 <b>CG482160H517</b> Frame part	Zinc Plated 12µ	102 gr.	96 8 x 12 (Box x pcs. each)	€ 7,29	

TOOLS	CAPS	Short link				
 <b>MC703483G010</b> Aluminium jig for overlay doors Page 157	 <b>838 Ø17</b> Aluminium caps Page 173	 <b>838 Ø18</b> Brass caps Page 175	 <b>838 Ø18</b> Nylon caps Page 175	 <b>839 Ø18</b> Brass caps Page 178	 <b>846 Ø17</b> Aluminium caps Page 180	

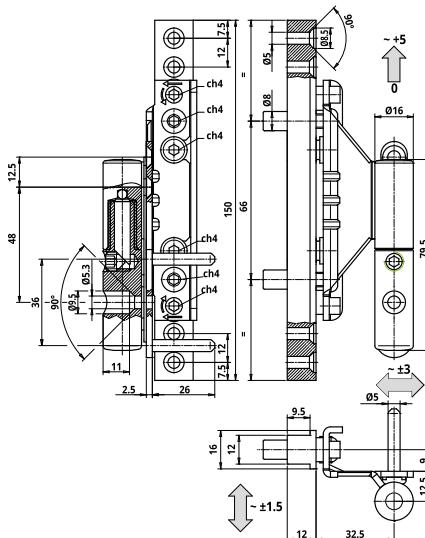
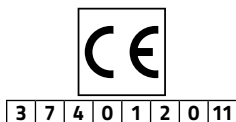
www.otlav.it - BIXACTA 483 Ø16



## BIXACTA 483 Ø16



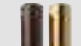




3D adjustable hinge for profiles with European groove with 9 mm axis - male part on plate pegs Ø5x26 mm - DIN right



Zinc Plated 12µ



CODE	FINISHING	WEIGHT	Pcs / Box	PRICE PCS.	Tot.
 <b>CF483160H519</b> Door part	Zinc Plated 12µ	255,9 gr.	48 4 x 12 (Box x pcs. each)	€ 15,40	€ 22,69
 <b>CG482160H517</b> Frame part	Zinc Plated 12µ	102 gr.	96 8 x 12 (Box x pcs. each)	€ 7,29	

TOOLS	CAPS	Short link				
 <b>MC703483G010</b> Aluminium jig for overlay doors Page 157	 <b>838 Ø17</b> Aluminium caps Page 173	 <b>838 Ø18</b> Brass caps Page 175	 <b>838 Ø18</b> Nylon caps Page 175	 <b>839 Ø18</b> Brass caps Page 178	 <b>846 Ø17</b> Aluminium caps Page 180	

www.otlav.it - BIXACTA 483 Ø16

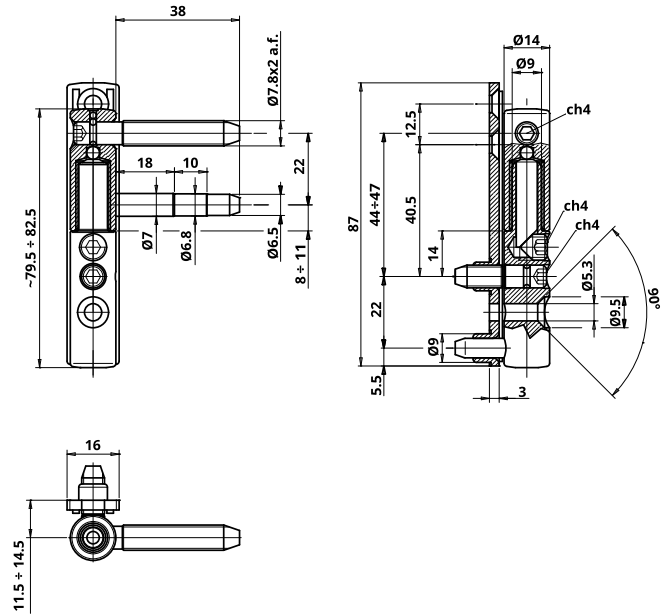







# MIXACTA 3D 486 Ø14

3D adjustable hinge - female EXACTA - male part on plate



White (RAL 9016)



CODE	FINISHING	WEIGHT	Pcs / Box	PRICE PCS.	TOT.
 <b>CF495140PI03</b> Door part	White (RAL 9016)	52,8 gr.	200 4 x 50 (Box x pcs. each)	€ 2,725	€ 6,685
 <b>CG486140PI03</b> Frame part	White (RAL 9016)	91,72 gr.	200 4 x 50 (Box x pcs. each)	€ 3,96	
 <b>GC838150PI02</b> Aluminium cap	White (RAL 9016)	2,68 gr.	680 4 x 170 (Box x pcs. each)	€ 1,22	
 <b>GC838160Y602</b> Nylon cap	White Nylon (RAL 9016)	2,01 gr.	720 4 x 180 (Box x pcs. each)	€ 0,221	
 <b>GC846150PI02</b> Aluminium cap	White (RAL 9016)	2,95 gr.	180 4 x 45 (Box x pcs. each)	€ 1,571	

Short link



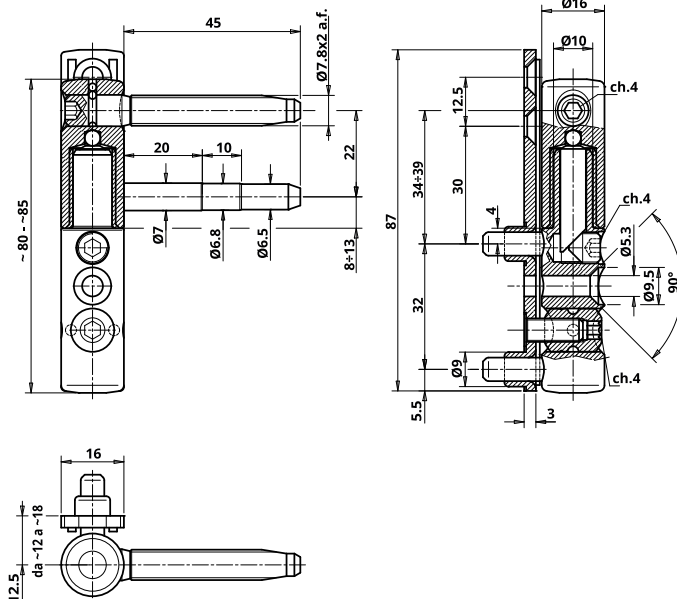
www.otlav.it - MIXACTA 3D 486 Ø14









# MIXACTA 3D 486 Ø16

3D adjustable hinge - male part on plate - female part EXACTA



Grey (9F)



CODE	FINISHING	WEIGHT	Pcs / Box	PRICE PCS.	TOT.
 <b>CF4951609F60</b> Door part	Grey (9F)	66 gr.	200 4 x 50 (Box x pcs. each)	€ 3,25	€ 10,11
 <b>CG4861609F53</b> Frame part	Grey (9F)	99 gr.	200 4 x 50 (Box x pcs. each)	€ 6,86	
 <b>GC8381709F52</b> Aluminium caps	Grey (9F)	3,32 gr.	160 4 x 40 (Box x pcs. each)	€ 1,646	
 <b>CF495160PI03</b> Door part	White (RAL 9016)	66 gr.	200 4 x 50 (Box x pcs. each)	€ 2,95	€ 9,19
 <b>CG486160PI03</b> Frame part	White (RAL 9016)	99 gr.	200 4 x 50 (Box x pcs. each)	€ 6,24	
 <b>GC838170PI02</b> Aluminium cap	White (RAL 9016)	3,32 gr.	160 4 x 40 (Box x pcs. each)	€ 1,79	
 <b>GC838180Y603</b> Nylon cap	White Nylon (RAL 9016)	2,41 gr.	480 4 x 120 (Box x pcs. each)	€ 0,221	
 <b>GC846170PI02</b> Aluminium cap	White (RAL 9016)	3,42 gr.	160 4 x 40 (Box x pcs. each)	€ 1,91	

Short link

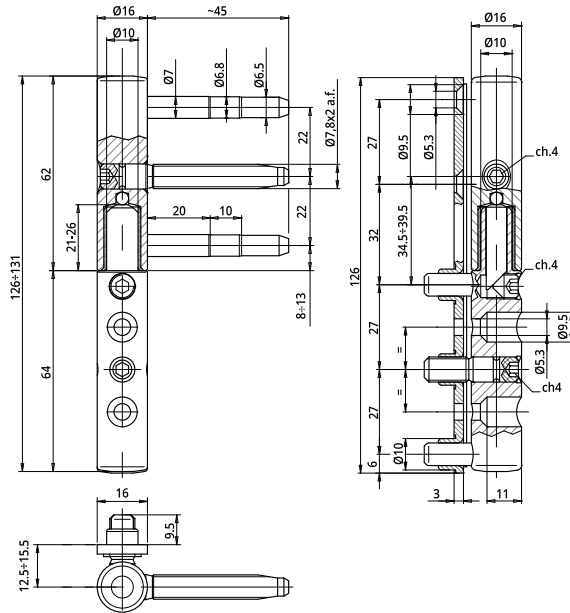








www.otlav.it - MIXACTA 3D 486 Ø16

3D adjustable hinge - Female part with 3 pins 7,8x45 mm - male part on plate



White



CODE	FINISHING	WEIGHT	Pcs / Box	PRICE PCS.
 <b>CF4951609F20</b> Door part	Grey (9F)	116 gr.	100 4 x 25 (Box x pcs. each)	On request
 <b>CG4871609F03</b> Frame part	Grey (9F)	146 gr.	100 4 x 25 (Box x pcs. each)	On request
 <b>GC838170JC06</b> Aluminium caps	Satinized Nickel Plated	4 gr.	240 8 x 30 (Box x pcs. each)	€ 3,17
 <b>CF4951609P20</b> Door part	White (RAL 9016)	116 gr.	100 4 x 25 (Box x pcs. each)	On request
 <b>CG4871609P03</b> Frame part	White (RAL 9016)	146 gr.	100 4 x 25 (Box x pcs. each)	On request
 <b>GC8381709P02</b> Aluminium caps	White Nylon (RAL 9016)	4 gr.	160 4 x 40 (Box x pcs. each)	On request

Short link



www.otlav.it - URSUS PVC 487 Ø16

# ROLLACTA R3

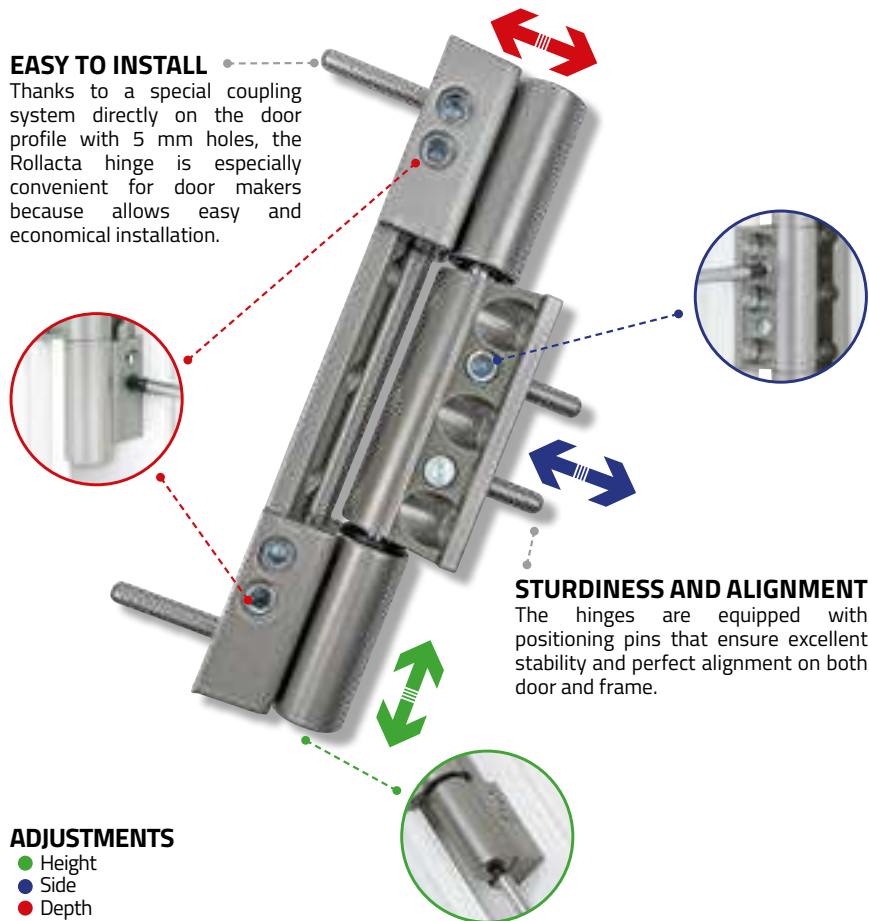
Designed to fulfill modern design needs and high quality manufacturing standards, Rollacta is the ideal solution for uPVC doors.

The special cylindrical shape blends seamlessly with sash and frame for elegant door design solution and always leaves the seal unscathed ensuring high thermal and acoustic insulation values.



### EASY TO INSTALL

Thanks to a special coupling system directly on the door profile with 5 mm holes, the Rollacta hinge is especially convenient for door makers because allows easy and economical installation.



### STURDINESS AND ALIGNMENT

The hinges are equipped with positioning pins that ensure excellent stability and perfect alignment on both door and frame.

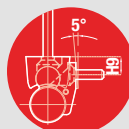
### ADJUSTMENTS

- Height
- Side
- Depth

Available in 6 different versions that enable the use on the most common PVC profiles



Height 9 mm  
Not Inclined



Height 9 mm  
Inclined 5°



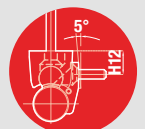
Height 10,5 mm  
Not Inclined



Height 10,5 mm  
Inclined 5°



Height 12 mm  
Not Inclined



Height 12 mm  
Inclined 5°

\* Tested with 90x210 cm doors - For more information on the number of hinges to be used according to the weight and dimension of the door, please see the loading charts available on the website [www.otlav.it](http://www.otlav.it).





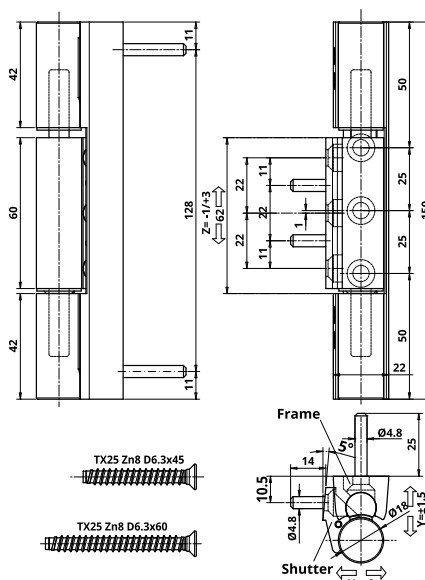




## ROLLACTA R3 105

3 parts hinge - H 10,5 - inclined 5° - DIN right



Grey (9F)



CODE	FINISHING	WEIGHT	Pcs / Box	PRICE PCS.
 <b>R31050D59F02</b> Complete hinge	Grey (9F)	554,1 gr.	9* 3 x 3 (Box x pcs. Each)	€ 41,50
 <b>R31050D5PI02</b> Complete hinge	White (RAL 9016)	554,1 gr.	9* 3 x 3 (Box x pcs. each)	On request

\*Each box includes: 3 complete hinges, 3 caps kit, 9 screws T25 Ø6.3x60 to be used with the shutter part and 9 Screws T25 Ø6.3x45 to be used with the frame part.

TOOLS



**MR A**  
Aluminium jig for  
overlay doors  
Page 166

Short link



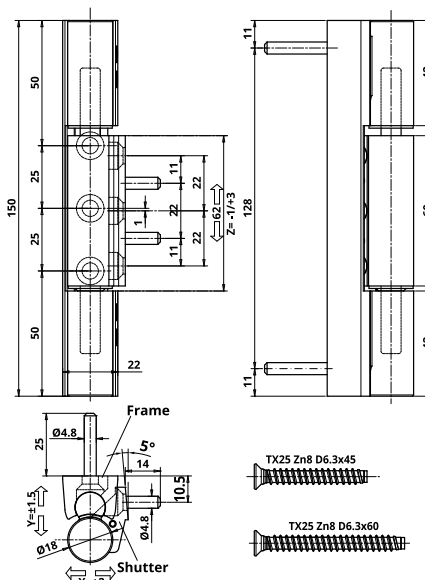
www.otlav.it - ROLLACTA R3 105



## ROLLACTA R3 105

3 parts hinge - H 10,5 - inclined 5° - DIN left



Grey (9F)



CODE	FINISHING	WEIGHT	Pcs / Box	PRICE PCS.
 <b>R31050S59F02</b> Complete hinge	Grey (9F)	554,1 gr.	9* 3 x 3 (Box x pcs. Each)	€ 41,50
 <b>R31050S5PI02</b> Complete hinge	White (RAL 9016)	554,1 gr.	9* 3 x 3 (Box x pcs. each)	On request

\*Each box includes: 3 complete hinges, 3 caps kit, 9 screws T25 Ø6.3x60 to be used with the shutter part and 9 Screws T25 Ø6.3x45 to be used with the frame part.

TOOLS



**MR A**  
Aluminium jig for  
overlay doors  
Page 166

Short link



www.otlav.it - ROLLACTA R3 105



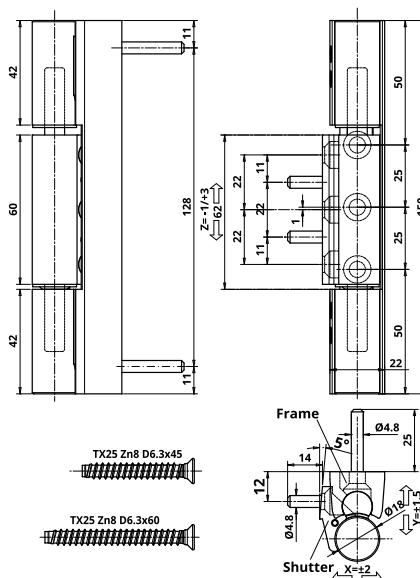




## ROLLACTA R3 120

3 parts hinge - H 12 - inclined 5° - DIN right




White (RAL 9016)



CODE	FINISHING	WEIGHT	Pcs / Box	PRICE PCS.
 <b>R31200D59F02</b> Complete hinge	Grey (9F)	563,6 gr.	9* 3 x 3 (Box x pcs. each)	On request
 <b>R31200D5PI02</b> Complete hinge	White (RAL 9016)	563,6 gr.	9* 3 x 3 (Box x pcs. Each)	€ 41,50

**TOOLS**



**MR A**  
Aluminium jig for  
overlay doors  
Page 166

\*Each box includes: 3 complete hinges, 3 caps kit, 9 screws T25 Ø6.3x60 to be used with the shutter part and 9 Screws T25 Ø6.3x45 to be used with the frame part.

**Short link**



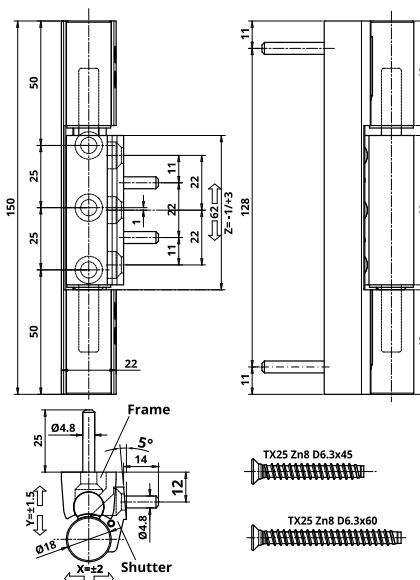
www.otlav.it - ROLLACTA R3 120



## ROLLACTA R3 120

3 parts hinge - H 12 - inclined 5° - DIN left



Grey (9F)



CODE	FINISHING	WEIGHT	Pcs / Box	PRICE PCS.
 <b>R31200S59F02</b> Complete hinge	Grey (9F)	563,6 gr.	9* 3 x 3 (Box x pcs. Each)	€ 41,50
 <b>R31200S5PI02</b> Complete hinge	White (RAL 9016)	563,6 gr.	9* 3 x 3 (Box x pcs. Each)	€ 41,50

**TOOLS**



**MR A**  
Aluminium jig for  
overlay doors  
Page 166

\*Each box includes: 3 complete hinges, 3 caps kit, 9 screws T25 Ø6.3x60 to be used with the shutter part and 9 Screws T25 Ø6.3x45 to be used with the frame part.

**Short link**



www.otlav.it - ROLLACTA R3 120

# STAINLESS STEEL

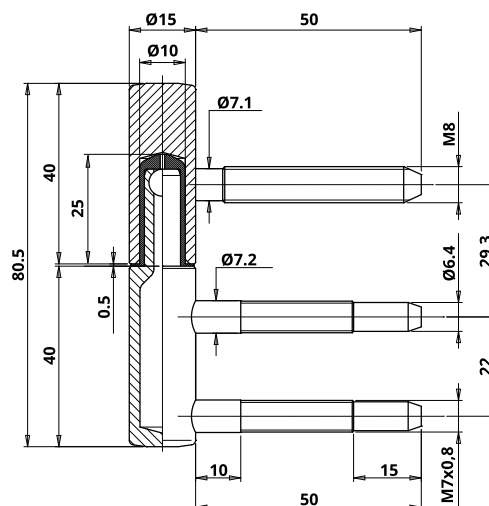
Hinges



# 101 Ø15

Stainless steel hinge - male part with nylon bush and 2 pins



Matt Stainless Steel



CODE	FINISHING	WEIGHT	Pcs / Box	PRICE PCS.	TOT.
 <b>CF100150IM02</b> Female part	Matt Stainless Steel	52,27 gr.	240 4 x 60 (Box x pcs. each)	€ 6,55	€ 15,91
 <b>CG101150IM03</b> Male part	Matt Stainless Steel	65,32 gr.	200 4 x 50 (Box x pcs. each)	€ 9,36	

Short link



www.otlav.it - 101 Ø15

**335 Ø15**

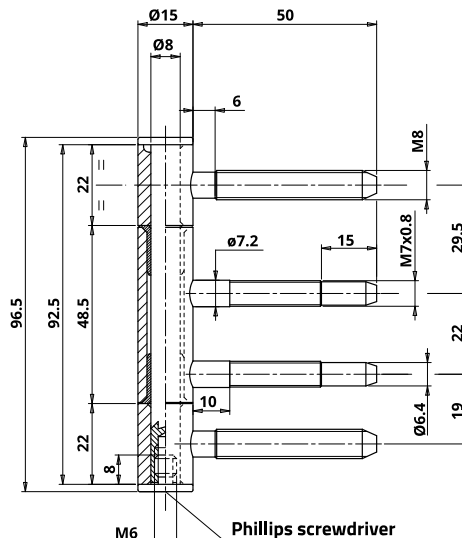
3 bushes stainless steel hinge, central part with pins





Matt Stainless Steel



2 7 3 1 1 5 0 10



CODE	FINISHING	WEIGHT	Pcs / Box	PRICE PCS.	Tot.
 <b>CE022150IM02</b> 2 lateral bushes with pivot and head	Matt Stainless Steel	116,5 gr.	160 4 x 40(Box x pcs. each)	€ 23,10	€ 33,26
 <b>CE048146IM02</b> Bush with two pins	Matt Stainless Steel	61,91 gr.	200 4 x 50(Box x pcs. each)	€ 10,16	

Short link



www.otlav.it - 335 Ø15

**335 Ø15**

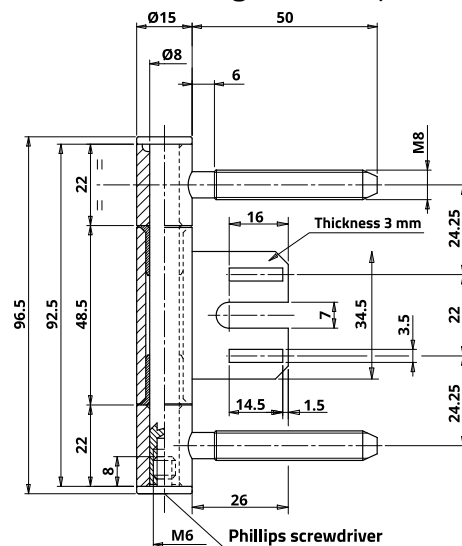
3 bushes stainless steel hinge, central part with plate





Matt Stainless Steel



2 7 3 1 1 5 0 10



CODE	FINISHING	WEIGHT	Pcs / Box	PRICE PCS.	Tot.
 <b>CE022150IM02</b> 2 lateral bushes with pivot and head	Matt Stainless Steel	116,5 gr.	160 4 x 40(Box x pcs. each)	€ 23,10	€ 36,63
 <b>CE047146IM02</b> Bush with plate	Matt Stainless Steel	49,2 gr.	200 4 x 50(Box x pcs. each)	€ 13,53	

Short link



www.otlav.it - 335 Ø15

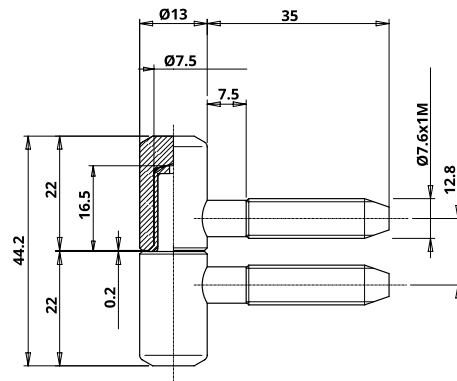
STAINLESS STEEL


## 355 Ø13

Stainless steel hinge with nylon bush



Matt Stainless Steel



CODE	FINISHING	WEIGHT	Pcs / Box	PRICE PCS.
 <b>CI355130IM02</b> Complete hinge	Matt Stainless Steel	65,05 gr.	80 2 x 40 (Box x pcs. each)	€ 9,06

TOOLS	MA701130G018	MC701130G060	
	PVC toolkit for overlay doors Page 150		PVC jig for overlay doors Page 155

Short link



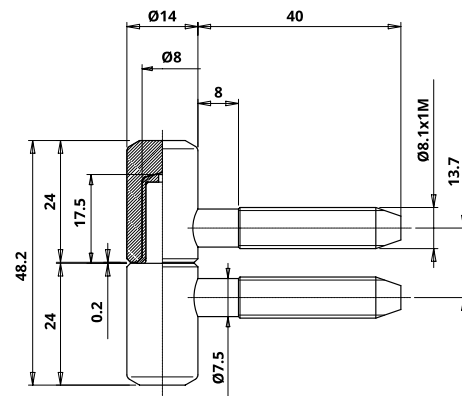
www.otlav.it - 355 Ø13

## 355 Ø14

Stainless steel hinge with nylon bush



Matt Stainless Steel



CODE	FINISHING	WEIGHT	Pcs / Box	PRICE PCS.
 <b>CI355140IM02</b> Complete hinge	Matt Stainless Steel	82,8 gr.	80 2 x 40 (Box x pcs. each)	€ 9,93

TOOLS	MA700140G002	MA701140G011	MC701140G060	
	Wood toolkit for flush doors Page 148			PVC jig for overlay doors Page 155

Short link



www.otlav.it - 355 Ø14

# EXACTA Ø16

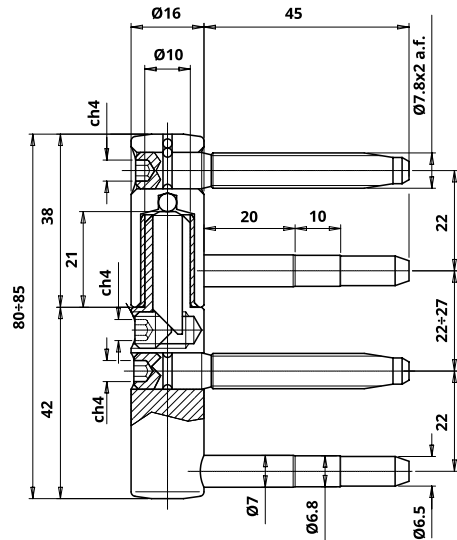
3D adjustable hinge - stainless steel - with nylon bush - pins 7,8x45 mm



Matt Stainless Steel



4 7 5 1 1 5 0 12



STAINLESS STEEL

CODE	FINISHING	WEIGHT	Pcs / Box	PRICE PCS.
<b>CI495160IM02</b> Complete hinge	Matt Stainless Steel	159,77 gr.	120 8 x 15(Box x pcs. each)	€ 29,50

**Tools**

 <b>MA700160G006</b> PVC toolkit for flush doors Page 148	 <b>MA701160G035</b> PVC toolkit for overlay doors Page 150	 <b>MA801160G028</b> Rod Page 154	 <b>MC701160G035</b> PVC jig for overlay doors Page 155
--	--	--	--

Short link

www.otlav.it - EXACTA Ø16

# EXACTA Ø20

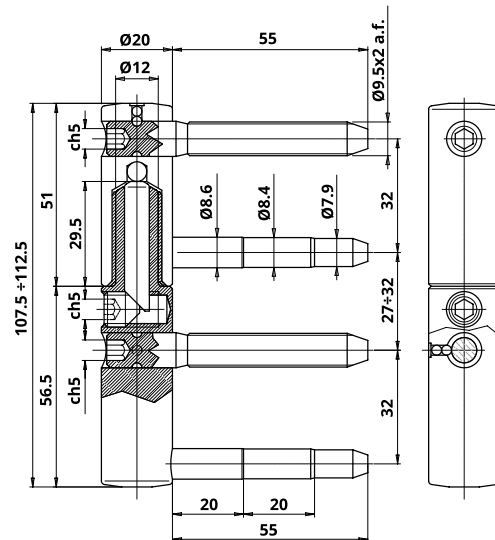
3D adjustable hinge - stainless steel - with nylon bush - pins 9,5x55 mm



Matt Stainless Steel



4 7 6 1 1 5 0 13



CODE	FINISHING	WEIGHT	Pcs / Box	PRICE PCS.
<b>CI495200IM02</b> Complete hinge	Matt Stainless Steel	331,79 gr.	64 8 x 8(Box x pcs. each)	€ 56,00

**Tools**

 <b>MA700200G010</b> Wood toolkit for flush doors Page 149	 <b>MA701200G014</b> PVC toolkit for overlay doors Page 150	 <b>MC701200G009</b> PVC jig for overlay doors Page 155
---	--	--

Short link

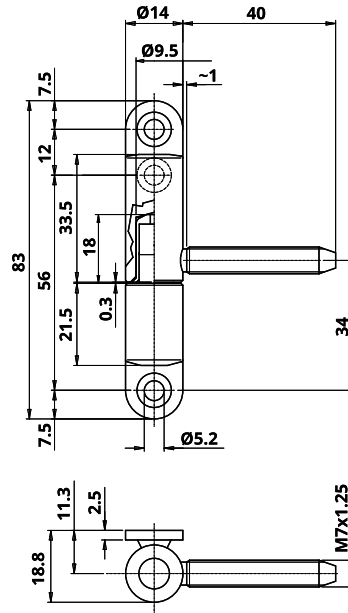
www.otlav.it - EXACTA Ø20



## P50 Ø15

Stainless steel hinge with male part with plate and nylon bush



Natural



CODE	FINISHING	WEIGHT	Pcs / Box	PRICE PCS.
 <b>CFP50150G003</b> Female part	Natural	43,95 gr.	360 4 x 90 (Box x pcs. each)	On request
 <b>CGP50150G004</b> Male part	Natural	44,68 gr.	360 4 x 90 (Box x pcs. each)	On request

Short link



www.otlav.it - P50 Ø15



# DIN-NORM

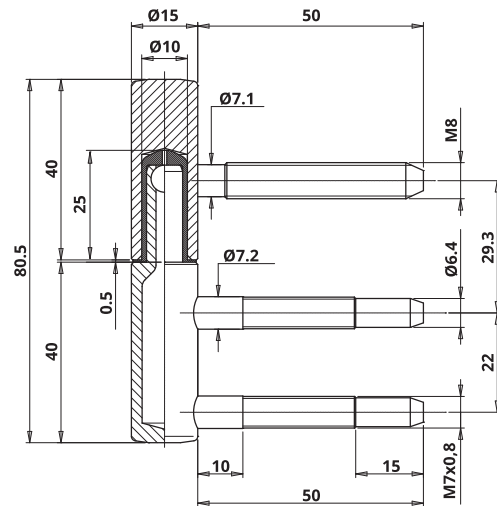
Hinges for German profiles















Matt Black



CODE	FINISHING	WEIGHT	Pcs / Box	PRICE PCS.	TOT.
 <b>CF1001509N20</b> Female part	Matt Black	52,27 gr.	240 4 x 60 (Box x pcs. each)	€ 1,032	€ 2,536
 <b>CG1011509N03</b> Male part	Matt Black	65,7 gr.	240 4 x 60 (Box x pcs. each)	€ 1,504	
 <b>CF100150H004</b> Female part	Zinc Plated	52,27 gr.	300 1 x 300 (Box x pcs. each)	€ 0,49	€ 1,408
 <b>CG101150H003</b> Male part	Zinc Plated	65,7 gr.	200 1 x 200 (Box x pcs. each)	€ 0,918	
 <b>CF100150IM02</b> Female part	Matt Stainless Steel	52,27 gr.	240 4 x 60 (Box x pcs. each)	€ 6,555	€ 15,915
 <b>CG101150IM03</b> Male part	Matt Stainless Steel	65,32 gr.	200 4 x 50 (Box x pcs. each)	€ 9,36	
 <b>CF100150N007</b> Female part	Nickel Plated	52,04 gr.	300 1 x 300 (Box x pcs. each)	€ 0,621	€ 1,634
 <b>CG101150N011</b> Male part	Nickel Plated	65,7 gr.	200 1 x 200 (Box x pcs. each)	€ 1,013	
 <b>CF100150N402</b> Female part	Matt Nickel Plated	52,04 gr.	300 1 x 300 (Box x pcs. each)	€ 1,65	€ 3,403
 <b>CG101150N406</b> Male part	Matt Nickel Plated	67,21 gr.	200 1 x 200 (Box x pcs. each)	€ 1,753	

Short link



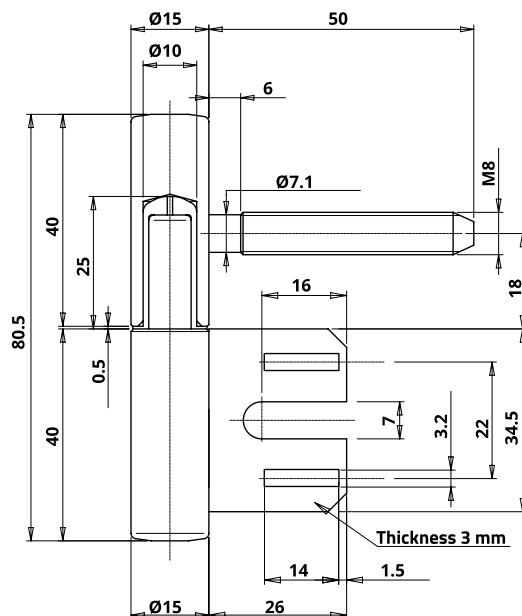
www.otlav.it - 101 Ø15



# 102 Ø15

Hinge with male part with plate and nylon bush



Nickel Plated



CODE	FINISHING	WEIGHT	Pcs / Box	PRICE PCS.	TOT.
 <b>CF100150N007</b> Female part	Nickel Plated	52,04 gr.	300 1 x 300 (Box x pcs. each)	€ 0,621	€ 2,07
 <b>CG102150N003</b> Male part with plate	Nickel Plated	56,73 gr.	250 1 x 250 (Box x pcs. each)	€ 1,449	

Short link



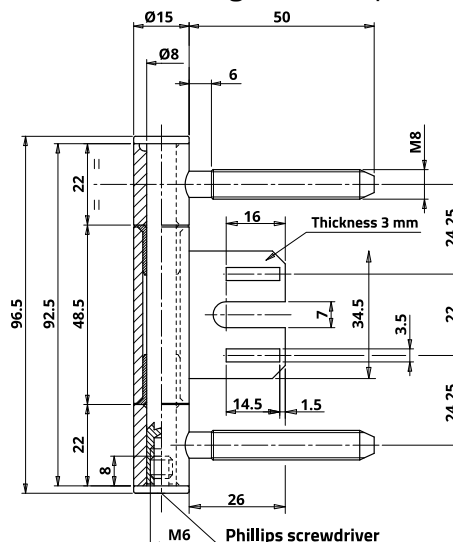
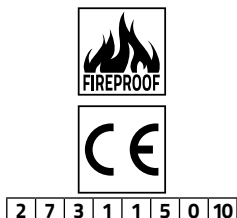
www.otlav.it - 102 Ø15



**335 Ø15**

3 bushes stainless steel hinge, central part with plate



Matt Stainless Steel



CODE	FINISHING	WEIGHT	Pcs / Box	PRICE PCS.	TOT.
 <b>CE022150IM02</b> 2 lateral bushes with pivot and head	Matt Stainless Steel	116,5 gr.	160 4 x 40(Box x pcs. each)	€ 23,10	€ 36,63
 <b>CE047146IM02</b> Bush with plate	Matt Stainless Steel	49,2 gr.	200 4 x 50(Box x pcs. each)	€ 13,53	

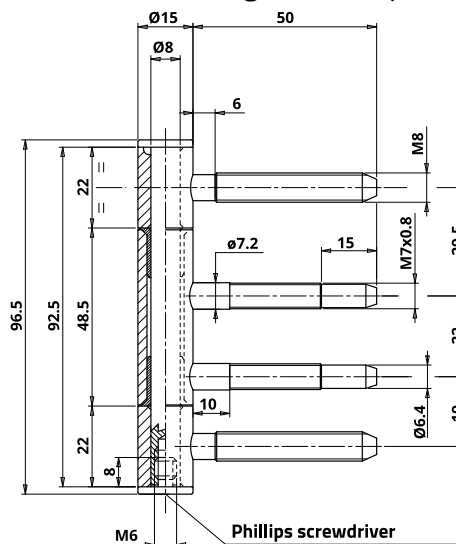
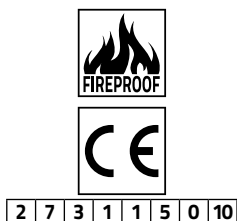




**335 Ø15**

3 bushes stainless steel hinge, central part with pins



Matt Stainless Steel



CODE	FINISHING	WEIGHT	Pcs / Box	PRICE PCS.	TOT.
 <b>CE022150IM02</b> 2 lateral bushes with pivot and head	Matt Stainless Steel	116,5 gr.	160 4 x 40(Box x pcs. each)	€ 23,10	€ 33,26
 <b>CE048146IM02</b> Bush with two pins	Matt Stainless Steel	61,91 gr.	200 4 x 50(Box x pcs. each)	€ 10,16	



# 335 Ø15

3 bushes hinge, central part with pins



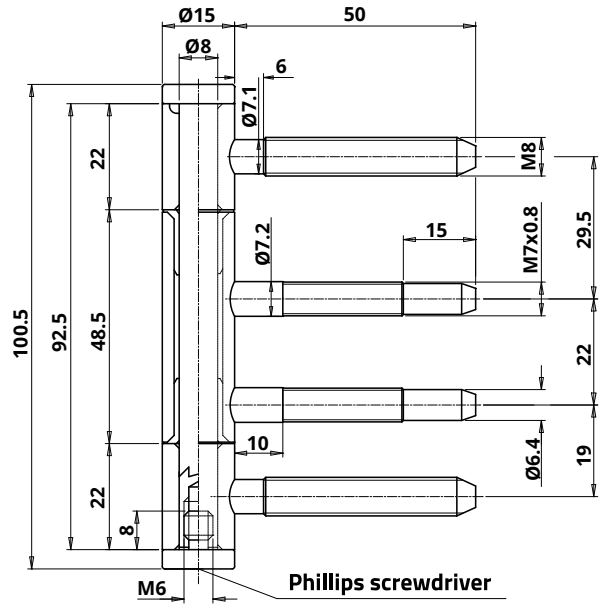
Nickel Plated



2 7 3 1 1 \* 0 10

\*Depending on the finish:

Matt Black	4
Polished Gold	2
Nickel Plated	1
Matt Nickel Plated	1



CODE	FINISHING	WEIGHT	Pcs / Box	PRICE PCS.
 <b>CI3351509N12</b> Complete hinge	Matt Black	175,68 gr.	40 1 x 40 (Box x pcs. each)	€ 8,18
 <b>CI335150K116</b> Complete hinge	Polished Gold	175,68 gr.	100 4 x 25 (Box x pcs. each)	€ 9,71
 <b>CI335150N027</b> Complete hinge	Nickel Plated	175,68 gr.	100 4 x 25 (Box x pcs. each)	€ 3,47
 <b>CI335150N408</b> Complete hinge	Matt Nickel Plated	175,68 gr.	100 4 x 25 (Box x pcs. each)	€ 5,55

Short link



www.otlav.it - 335 Ø15



## 341 Ø15

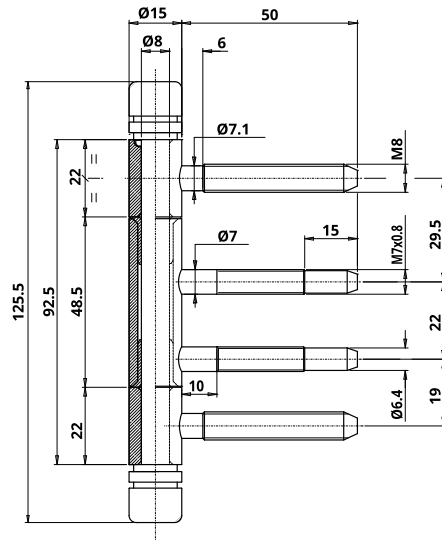
3 bushes hinge, central part with pins



Matt Nickel Plated



2 7 3 1 1 1 0 10



CODE	FINISHING	WEIGHT	Pcs / Box	PRICE PCS.
 <b>CI341150N404</b> Complete hinge	Matt Nickel Plated	230 gr.	100 4 x 25(Box x pcs. each)	€ 9,35

Short link



www.otlav.it - 341 Ø15

## 343 Ø15

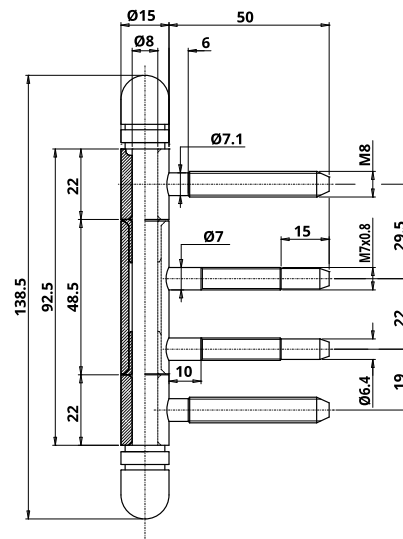
3 bushes hinge, central part with pins




Matt Nickel Plated



2 7 3 1 1 1 0 10



CODE	FINISHING	WEIGHT	Pcs / Box	PRICE PCS.
 <b>CI343150N402</b> Complete hinge	Matt Nickel Plated	216,48 gr.	100 4 x 25(Box x pcs. each)	€ 9,50

Short link



www.otlav.it - 343 Ø15



**335 Ø15**

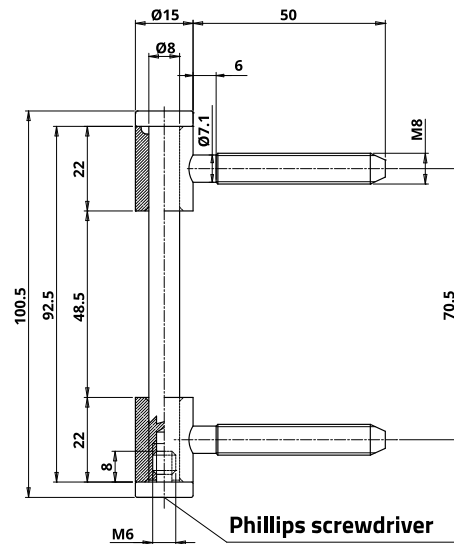
External bushes with pivot and head for art. 335 Ø15




Nickel Plated



2 7 3 1 1 1 0 10



CODE	FINISHING	WEIGHT	Pcs / Box	PRICE PCS.
 <b>CI335150N017</b>	Nickel Plated	114,4 gr.	160 4 x 40 (Box x pcs. each)	€ 2,258

Short link



www.otlav.it - 335 Ø15

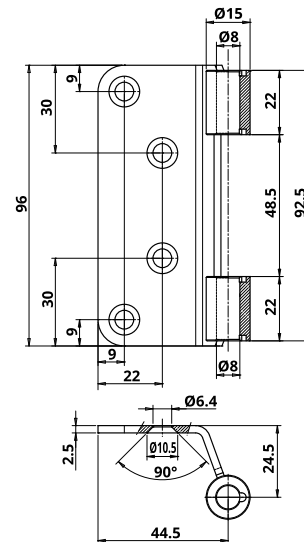
DIN-NORM


**CE 335 Ø15**

Plate for flush doors for art. 335 Ø15



Nickel Plated



CODE	FINISHING	WEIGHT	Pcs / Box	PRICE PCS.
 <b>CE335150N002</b>	Nickel Plated	128,8 gr.	100 4 x 25 (Box x pcs. each)	On request

Short link



www.otlav.it - CE 335 Ø15

DIN-NORM | 73

## CE 022 Ø15

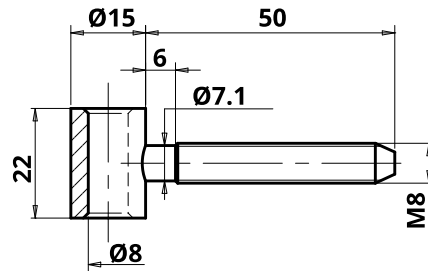
External bush with 50 mm pin for art. 335 Ø15




Nickel Plated



2 7 3 1 1 1 0 10



CODE	FINISHING	WEIGHT	Pcs / Box	PRICE PCS.
 <b>CE022146N002</b>	Nickel Plated	35,63 gr.	400 1 x 400 (Box x pcs. each)	€ 0,564

Short link



www.otlav.it - CE 022 Ø15

## CE 047 Ø15

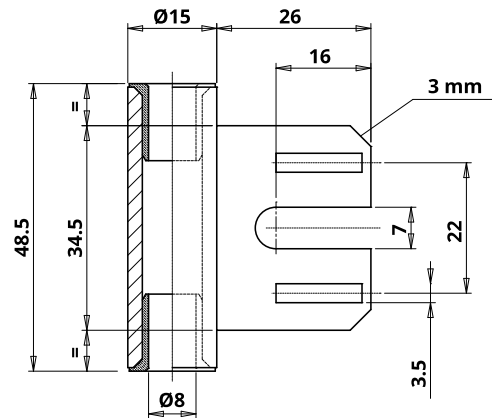
Central bush with plate and nylon ring for art. 335 Ø15




Nickel Plated



2 7 3 1 1 1 0 10



CODE	FINISHING	WEIGHT	Pcs / Box	PRICE PCS.
 <b>CE047146N008</b>	Nickel Plated	49,2 gr.	300 1 x 300 (Box x pcs. each)	€ 1,204

Short link



www.otlav.it - CE 047 Ø15

## CE 048 Ø15

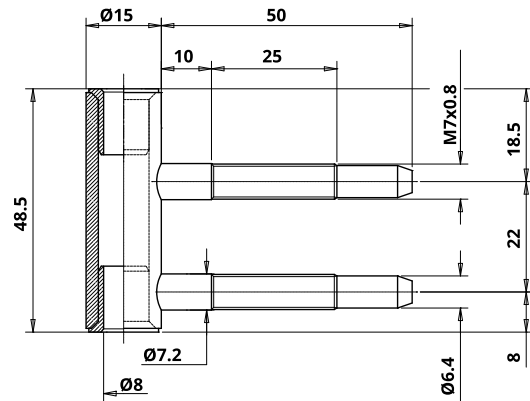
Central bush with nylon ring and two 50 mm pins for art. 335 Ø15




Nickel Plated



2 7 3 1 1 1 0 10



CODE	FINISHING	WEIGHT	Pcs / Box	PRICE PCS.
 <b>CE048146N002</b>	Nickel Plated	61,91 gr.	200 1 x 200 (Box x pcs. each)	€ 1,446

Short link



www.otlav.it - CE 048 Ø15

## FP 096 Ø8

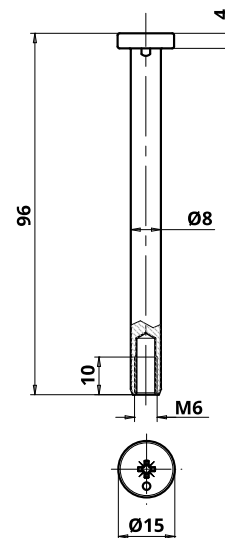
Pivot for 335 Ø15




Nickel Plated



2 7 3 1 1 1 0 10



CODE	FINISHING	WEIGHT	Pcs / Box	PRICE PCS.
 <b>FP096080N004</b>	Nickel Plated	38,6 gr.	400 1 x 400 (Box x pcs. each)	€ 0,895

Short link



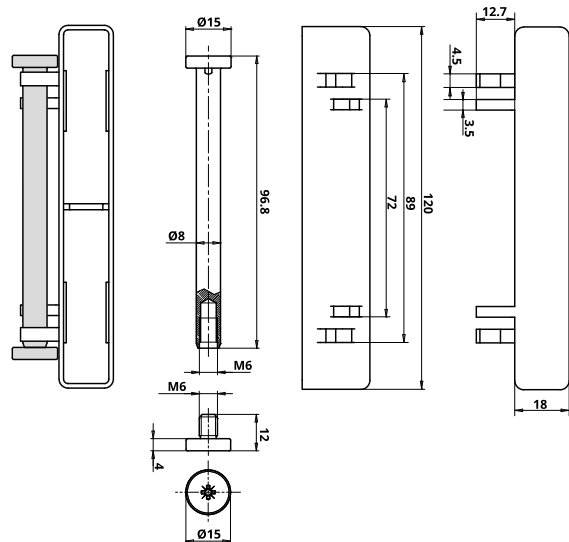
www.otlav.it - FP 096 Ø8

## FP 096 Ø8

Pivot for hinge 335 Ø15, complete with protective white box for the bushes installed on the door.



Nickel Plated



CODE	FINISHING	WEIGHT	Pcs / Box	PRICE PCS.
FP096080N008	Nickel Plated	61,25 gr.	80 1 x 80(Box x pcs. each)	On request

Short link



www.otlav.it - FP 096 Ø8

## TE 012 Ø15

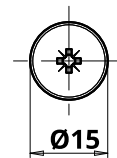
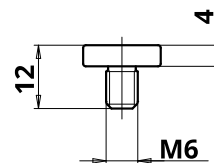
Head for art. 335 Ø15



Nickel Plated



2 7 3 1 1 1 0 10



CODE	FINISHING	WEIGHT	Pcs / Box	PRICE PCS.
TE012150N005	Nickel Plated	6,6 gr.	3200 8 x 400(Box x pcs. each)	€ 0,134

Short link



www.otlav.it - TE 012 Ø15

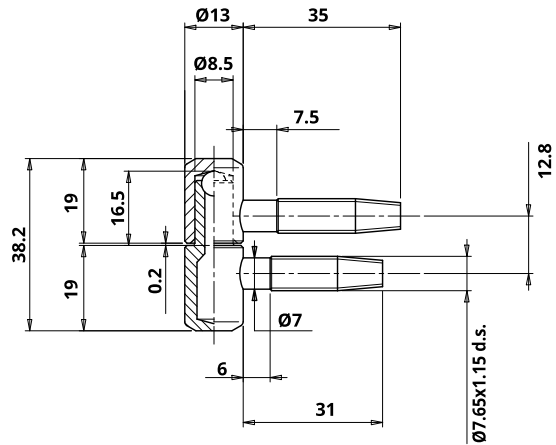
# Hinges for **WOOD**







## 030 Ø13



Zinc Plated



CODE	FINISHING	WEIGHT	Pcs / Box	PRICE PCS.	TOT.
 <b>CF030130H021</b> Female part	Zinc Plated	20,5 gr.	800 4 x 200 (Box x pcs. each)	€ 0,228	€ 0,513
 <b>CG030130H023</b> Male part	Zinc Plated	25,7 gr.	800 4 x 200 (Box x pcs. each)	€ 0,285	
 <b>CF030130H037</b> Female part	Zinc Plated	20,5 gr.	740 1 x 740 (Box x pcs. each)	€ 0,225	€ 0,507
 <b>CG030130H031</b> Male part	Zinc Plated	25,7 gr.	740 1 x 740 (Box x pcs. each)	€ 0,282	

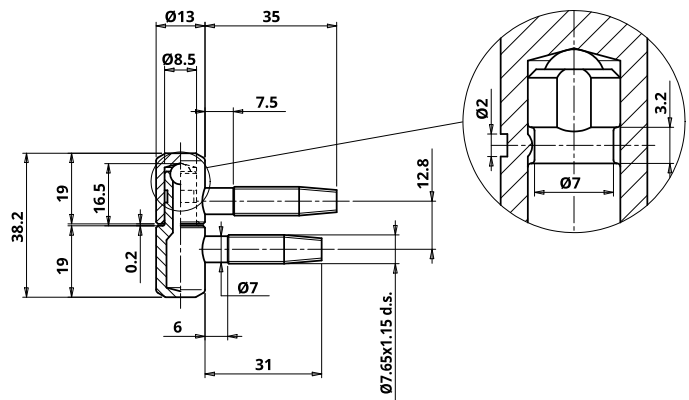
<b>TOOLS</b>  <b>MA701130G018</b> PVC toolkit for overlay doors Page 150	 <b>MC701130G060</b> PVC jig for overlay doors Page 155	<b>CAPS</b>  <b>826 Ø14</b> Brass cap Page 168	 <b>847 Ø14</b> Aluminium cap Page 180	 <b>849 Ø14</b> Aluminium cap Page 181	<b>Short link</b>  www.otlav.it - 030 Ø13



## 030 Ø13

### Hinge WASISTAS



Zinc Plated

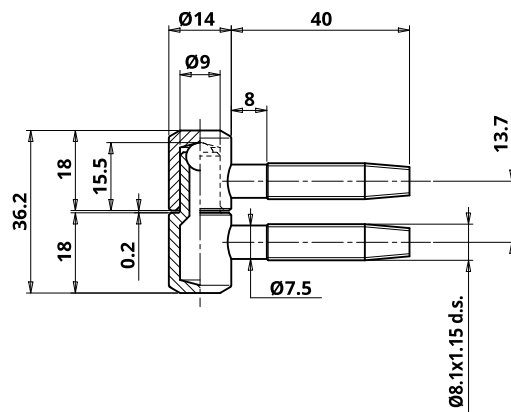




CODE	FINISHING	WEIGHT	Pcs / Box	PRICE PCS.	TOT.
 <b>CF030130H026</b> Female part	Zinc Plated	20,7 gr.	800 4 x 200 (Box x pcs. each)	€ 0,354	€ 0,826
 <b>CG030130H026</b> Male part	Zinc Plated	24,9 gr.	800 4 x 200 (Box x pcs. each)	€ 0,472	

<b>TOOLS</b>  <b>MA701130G018</b> PVC toolkit for overlay doors Page 150	 <b>MC701130G060</b> PVC jig for overlay doors Page 155	<b>CAPS</b>  <b>826 Ø14</b> Brass cap Page 168	 <b>847 Ø14</b> Aluminium cap Page 180	 <b>849 Ø14</b> Aluminium cap Page 181	<b>Short link</b>  www.otlav.it - 030 Ø13



Zinc Plated



CODE	FINISHING	WEIGHT	Pcs / Box	PRICE PCS.	TOT.
 <b>CF030140H002</b> Female part	Zinc Plated	25,07 gr.	640 4 x 160 (Box x pcs. each)	€ 0,295	€ 0,66
 <b>CG030140H002</b> Male part	Zinc Plated	30,71 gr.	640 4 x 160 (Box x pcs. each)	€ 0,365	

TOOLS



**MA700140G002**  
Wood toolkit for flush doors  
Page 148



**MA701140G011**  
PVC toolkit for overlay doors  
Page 150



**MC701140G060**  
PVC jig for overlay doors  
Page 155

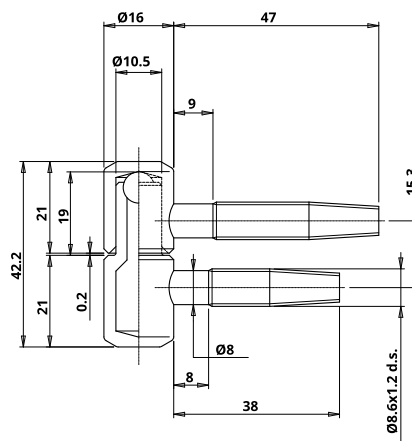
Short link





www.otlav.it - 030 Ø14



Zinc Plated



CODE	FINISHING	WEIGHT	Pcs / Box	PRICE PCS.	TOT.
 <b>CF030160H027</b> Female part	Zinc Plated	35,64 gr.	440 4 x 110 (Box x pcs. each)	€ 0,359	€ 0,826
 <b>CG030160H027</b> Male part	Zinc Plated	44,28 gr.	440 4 x 110 (Box x pcs. each)	€ 0,467	

TOOLS



**MC701160G060**  
PVC jig for overlay doors  
Page 155



CAPS

**815 Ø17,5**  
Nylon cap  
Page 168

Short link



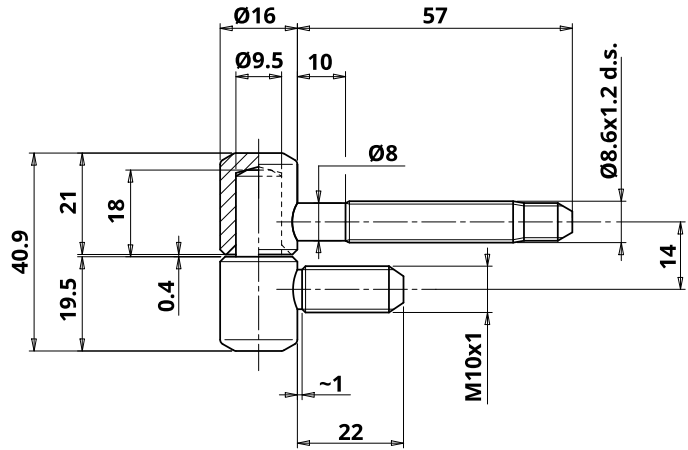
www.otlav.it - 030 Ø16



## 031 Ø16

3D adjustable hinge - female pins 8,6x57 mm - male pins M10x22 mm



Zinc Plated



CODE	FINISHING	WEIGHT	Pcs / Box	PRICE PCS.	Tot.
 <b>CF031160H006</b> Female part	Zinc Plated	42,95 gr.	320 4 x 80 (Box x pcs. each)	€ 0,495	€ 1,11
 <b>CG031160H006</b> Male part	Zinc Plated	50,87 gr.	390 1 x 390 (Box x pcs. each)	€ 0,615	



CAPS

815 Ø17,5  
Nylon cap

Page 168

Short link



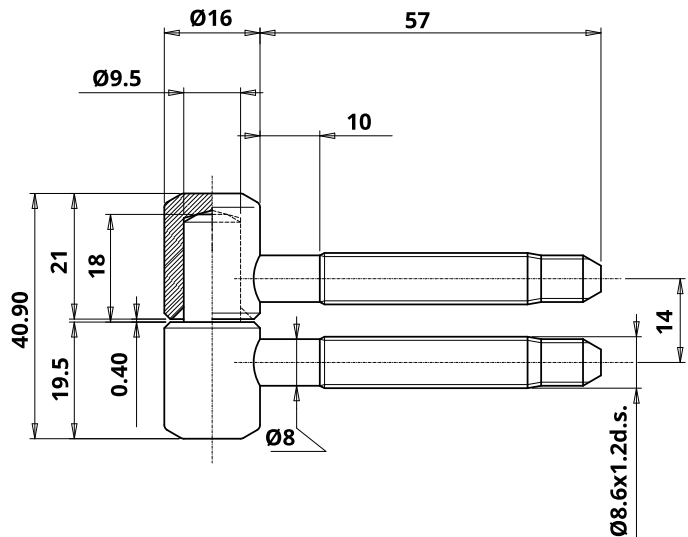
www.otlav.it - 031 Ø16



## 031 Ø16

Hinge - pins 8,6x57 mm



Zinc Plated



CODE	FINISHING	WEIGHT	Pcs / Box	PRICE PCS.	Tot.
 <b>CF031160H006</b> Female part	Zinc Plated	42,95 gr.	320 4 x 80 (Box x pcs. each)	€ 0,495	€ 1,199
 <b>CG031160H008</b> Male part	Zinc Plated	60,44 gr.	320 4 x 80 (Box x pcs. each)	€ 0,704	



CAPS

815 Ø17,5  
Nylon cap

Page 168

Short link

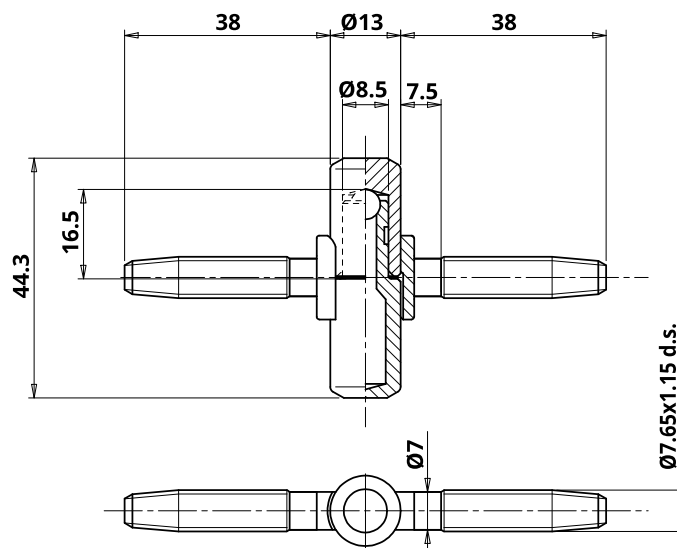


www.otlav.it - 031 Ø16

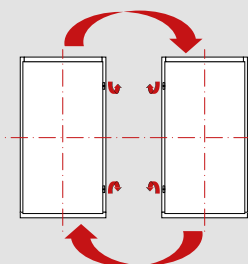




Nickel Plated



CODE	FINISHING	WEIGHT	Pcs / Box	PRICE PCS.	TOT.
 <b>CF050130H011</b> Female part	Zinc Plated	25,72 gr.	600 1 x 600 (Box x pcs. each)	€ 0,868	€ 1,884
 <b>CG050130H011</b> Male part	Zinc Plated	30,6 gr.	600 1 x 600 (Box x pcs. each)	€ 1,016	
 <b>CF050130H012</b> Female part on loader	Zinc Plated	25,72 gr.	342 1 x 342 (Box x pcs. each)	€ 0,897	€ 1,932
 <b>CG050130H012</b> Male part on loader	Zinc Plated	30,6 gr.	342 1 x 342 (Box x pcs. each)	€ 1,035	
 <b>CF050130NN04</b> Female part	Nickel Plated	27,37 gr.	600 1 x 600 (Box x pcs. each)	€ 0,968	€ 2,107
 <b>CG050130NN06</b> Male part	Nickel Plated	32,28 gr.	600 1 x 600 (Box x pcs. each)	€ 1,139	
 <b>CF0501300006</b> Female part	Brass Plated	27,37 gr.	600 1 x 600 (Box x pcs. each)	€ 0,977	€ 2,128
 <b>CG0501300008</b> Male part	Brass Plated	30,8 gr.	600 1 x 600 (Box x pcs. each)	€ 1,151	



## HINGES FOR REVERSIBLE DOORS

The range of hinges for reversible doors permits to easily run the stocks with just one kind of panel. Using this kind of hinges it becomes easy to decide if one door has to be left or right, directly while installing it.



CAPS



**826 Ø14**  
Brass cap

Page 168



**847 Ø14**  
Aluminium cap

Page 180



**849 Ø14**  
Aluminium cap

Page 181

Short link

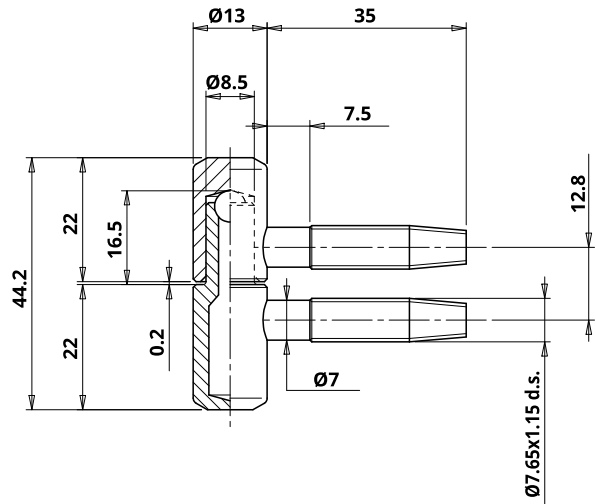






















www.otlav.it - 050 Ø13

# 055 Ø13



Nickel Plated

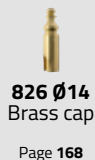


CODE	FINISHING	WEIGHT	Pcs / Box	PRICE PCS.	TOT.
 <b>CF055130BN12</b> Female part	Bronze Plated	23,68 gr.	640 4 x 160 (Box x pcs. each)	€ 0,302	€ 0,665
 <b>CG055130BN12</b> Male part	Bronze Plated	28,58 gr.	640 4 x 160 (Box x pcs. each)	€ 0,363	
 <b>CI055130BN09</b> Complete hinge	Bronze Plated	54 gr.	400 4 x 100 (Box x pcs. each)	€ 0,684	
 <b>CF055130H010</b> Female part	Zinc Plated	23,41 gr.	640 4 x 160 (Box x pcs. each)	On request	
 <b>CG055130H017</b> Male part	Zinc Plated	28,37 gr.	640 4 x 160 (Box x pcs. each)	On request	
 <b>CF055130H011</b> Female part	Zinc Plated	23,41 gr.	690 1 x 690 (Box x pcs. each)	€ 0,253	€ 0,555
 <b>CG055130H022</b> Male part	Zinc Plated	28,37 gr.	690 1 x 690 (Box x pcs. each)	€ 0,302	
 <b>CF055130N005</b> Female part	Nickel Plated	23,14 gr.	640 4 x 160 (Box x pcs. each)	€ 0,315	€ 0,693
 <b>CG055130N005</b> Male part	Nickel Plated	28,4 gr.	640 4 x 160 (Box x pcs. each)	€ 0,378	
 <b>CF055130N014</b> Female part	Nickel Plated	23,14 gr.	690 1 x 690 (Box x pcs. each)	€ 0,298	€ 0,67
 <b>CG055130N011</b> Male part	Nickel Plated	28,4 gr.	690 1 x 690 (Box x pcs. each)	€ 0,372	
 <b>CI055130N004</b> Complete hinge	Nickel Plated	52 gr.	400 4 x 100 (Box x pcs. each)	€ 0,686	
 <b>CF055130N402</b> Female part	Matt Nickel Plated	23,14 gr.	640 4 x 160 (Box x pcs. each)	€ 0,752	€ 1,576
 <b>CG055130N402</b> Male part	Matt Nickel Plated	30,89 gr.	640 4 x 160 (Box x pcs. each)	€ 0,824	
 <b>CF055130O008</b> Female part	Brass Plated	23,4 gr.	640 4 x 160 (Box x pcs. each)	€ 0,361	€ 0,745
 <b>CG055130O010</b> Male part	Brass Plated	28,6 gr.	640 4 x 160 (Box x pcs. each)	€ 0,384	
 <b>CI055130O009</b> Complete hinge	Brass Plated	52,06 gr.	400 4 x 100 (Box x pcs. each)	€ 0,754	
 <b>CI055130T102</b> Complete hinge	Satinized Chrome Plated	52 gr.	320 4 x 80 (Box x pcs. each)	On request	
 <b>CF055130V702</b> Female part	Satinized Silver	23,75 gr.	640 4 x 160 (Box x pcs. each)	€ 0,559	€ 1,227
 <b>CG055130V702</b> Male part	Satinized Silver	28,58 gr.	640 4 x 160 (Box x pcs. each)	€ 0,668	

TOOLS



CAPS



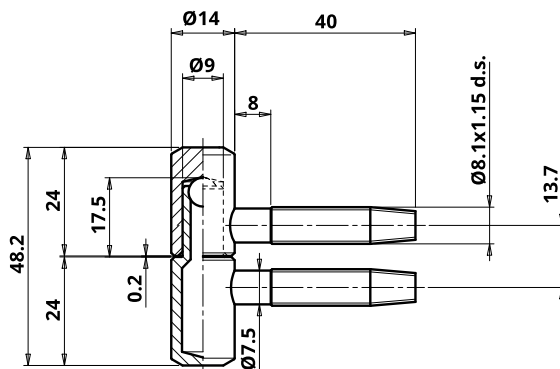
Short link

























www.otlav.it - 055 Ø13



Brass Plated



CODE	FINISHING	WEIGHT	Pcs / Box	PRICE PCS.	TOT.
 <b>CF055140BN15</b> Female part	Bronze Plated	31,32 gr.	520 4 x 130 (Box x pcs. each)	€ 0,382	€ 0,815
 <b>CG055140BN15</b> Male part	Bronze Plated	34,55 gr.	520 4 x 130 (Box x pcs. each)	€ 0,433	
 <b>CI055140BN12</b> Complete hinge	Bronze Plated	66,46 gr.	300 4 x 75 (Box x pcs. each)	€ 0,84	
 <b>CF055140H010</b> Female part	Zinc Plated	31,07 gr.	550 1 x 550 (Box x pcs. each)	€ 0,312	€ 0,668
 <b>CG055140H008</b> Male part	Zinc Plated	34,44 gr.	550 1 x 550 (Box x pcs. each)	€ 0,356	
 <b>CF055140H015</b> Female part on loader	Zinc Plated	31,07 gr.	342 1 x 342 (Box x pcs. each)	€ 0,341	€ 0,726
 <b>CG055140H015</b> Male part on loader	Zinc Plated	34,44 gr.	342 1 x 342 (Box x pcs. each)	€ 0,385	
 <b>CF055140H021</b> Female part	Zinc Plated	31,07 gr.	520 4 x 130 (Box x pcs. each)	€ 0,306	€ 0,668
 <b>CG055140H021</b> Male part	Zinc Plated	34,44 gr.	520 4 x 130 (Box x pcs. each)	€ 0,362	
 <b>CF055140N004</b> Female part	Nickel Plated	31,32 gr.	520 4 x 130 (Box x pcs. each)	€ 0,383	€ 0,817
 <b>CG055140N008</b> Male part	Nickel Plated	34,55 gr.	520 4 x 130 (Box x pcs. each)	€ 0,434	
 <b>CI055140N005</b> Complete hinge	Nickel Plated	66,46 gr.	300 4 x 75 (Box x pcs. each)	€ 0,842	
 <b>CF055140N402</b> Female part	Matt Nickel Plated	31,32 gr.	520 4 x 130 (Box x pcs. each)	€ 0,846	€ 1,712
 <b>CG055140N402</b> Male part	Matt Nickel Plated	34,55 gr.	520 4 x 130 (Box x pcs. each)	€ 0,866	
 <b>CF0551400007</b> Female part	Brass Plated	31,32 gr.	520 4 x 130 (Box x pcs. each)	€ 0,405	€ 0,864
 <b>CG0551400005</b> Male part	Brass Plated	34,55 gr.	520 4 x 130 (Box x pcs. each)	€ 0,459	
 <b>CI0551400008</b> Complete hinge	Brass Plated	66,46 gr.	300 4 x 75 (Box x pcs. each)	€ 0,892	
 <b>CF055140T105</b> Female part on loader	Satinized Chrome Plated	31,45 gr.	342 1 x 342 (Box x pcs. each)	€ 1,257	€ 2,776
 <b>CG055140T103</b> Male part on loader	Satinized Chrome Plated	33,43 gr.	342 1 x 342 (Box x pcs. each)	€ 1,519	
 <b>CI055140T102</b> Complete hinge	Satinized Chrome Plated	66,46 gr.	240 4 x 60 (Box x pcs. each)	€ 2,63	
 <b>CF055140V702</b> Female part	Satinized Silver	31,4 gr.	480 4 x 120 (Box x pcs. each)	€ 0,714	€ 1,52
 <b>CG055140V702</b> Male part	Satinized Silver	34,75 gr.	480 4 x 120 (Box x pcs. each)	€ 0,806	

Tools



**MA700140G002**  
Wood toolkit for  
flush doors  
Page 148



**MA701140G011**  
PVC toolkit for  
overlay doors  
Page 150



**MC701140G060**  
PVC jig for overlay  
doors  
Page 155

CAPS



**847 Ø15**  
Aluminium cap  
Page 181



**849 Ø15**  
Aluminium cap  
Page 182

Short link



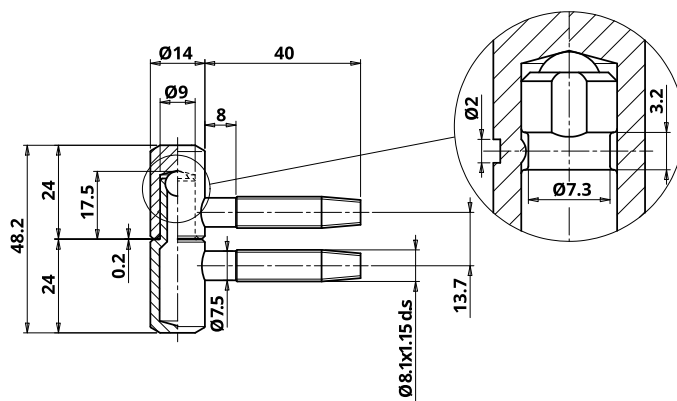
www.otlav.it - 055 Ø14



# 055 Ø14

## Hinge WASISTAS



Zinc Plated



CODE	FINISHING	WEIGHT	Pcs / Box	PRICE PCS.	TOT.
 <b>CF055140H014</b> Female part	Zinc Plated	31,4 gr.	520 4 x 130 (Box x pcs. each)	€ 0,417	€ 0,95
 <b>CG055140H014</b> Male part	Zinc Plated	33,9 gr.	520 4 x 130 (Box x pcs. each)	€ 0,533	

### TOOLS



**MA700140G002**  
Wood toolkit for flush doors  
Page 148



**MA701140G011**  
PVC toolkit for overlay doors  
Page 150

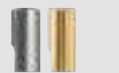


**MC701140G060**  
PVC jig for overlay doors  
Page 155

### CAPS



**847 Ø15**  
Aluminium cap  
Page 181



**849 Ø15**  
Aluminium cap  
Page 182

### Short link



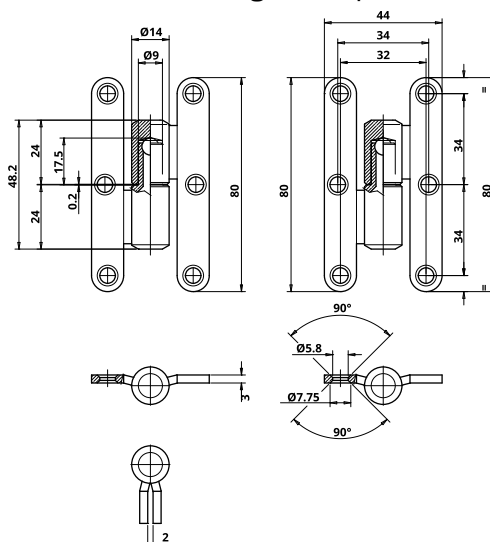
www.otlav.it - 055 Ø14


**055 Ø14**

Hinge with plates - DIN right



Black



CODE	FINISHING	WEIGHT	Pcs / Box	PRICE PCS.
 <b>CI055140P204</b> Complete hinge	Black	83,5 gr.	200 4 x 50 (Box x pcs. each)	€ 2,273

Short link



www.otlav.it - 055 Ø14

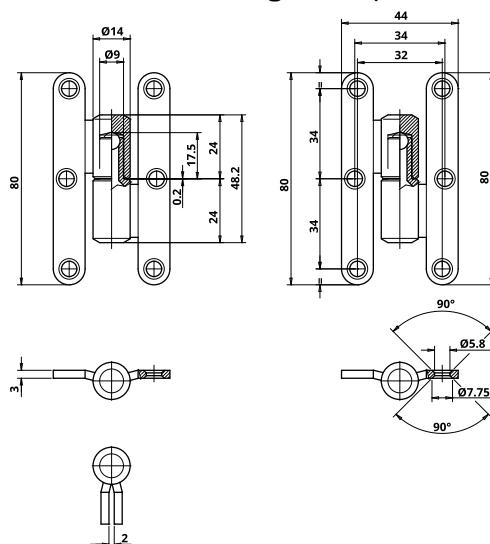
WOOD


**055 Ø14**

Hinge with plates - DIN left



Black



CODE	FINISHING	WEIGHT	Pcs / Box	PRICE PCS.
 <b>CI055140P203</b> Complete hinge	Black	83,5 gr.	200 4 x 50 (Box x pcs. each)	€ 2,273

Short link

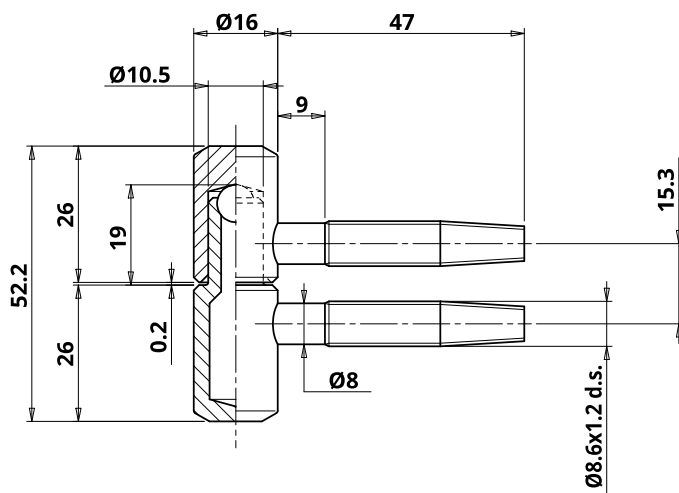








www.otlav.it - 055 Ø14

# 055 Ø16



Nickel Plated




CODE	FINISHING	WEIGHT	Pcs / Box	PRICE PCS.	TOT.
 <b>CI055160BN04</b> Complete hinge	Bronze Plated	90,65 gr.	200 4 x 50 (Box x pcs. each)	€ 1,168	
 <b>CF055160H004</b> Female part	Zinc Plated	43,46 gr.	350 1 x 350 (Box x pcs. each)	€ 0,413	€ 0,954
 <b>CG055160H006</b> Male part	Zinc Plated	51,5 gr.	350 1 x 350 (Box x pcs. each)	€ 0,541	
 <b>CF055160N006</b> Female part	Nickel Plated	43,78 gr.	350 1 x 350 (Box x pcs. each)	€ 0,523	€ 1,197
 <b>CG055160N006</b> Male part	Nickel Plated	52,58 gr.	350 1 x 350 (Box x pcs. each)	€ 0,674	
 <b>CI0551600003</b> Complete hinge	Brass Plated	90,65 gr.	200 4 x 50 (Box x pcs. each)	€ 1,232	

**TOOLS**



**MC701160G060**  
PVC jig for overlay doors  
Page 155

**CAPS**



**815 Ø17,5**  
Nylon cap  
Page 168

Short link



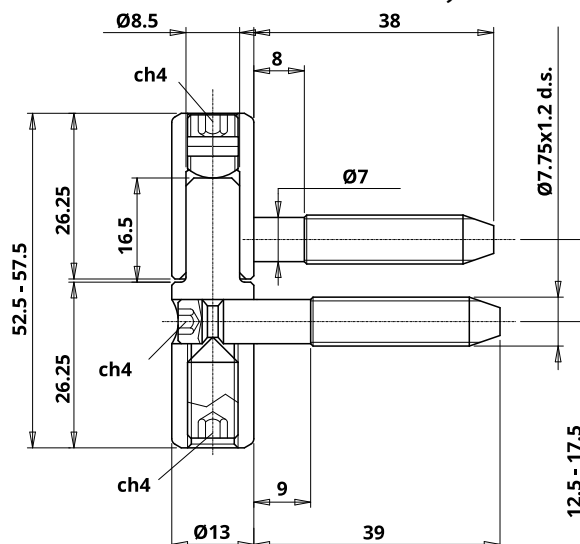
www.otlav.it - 055 Ø16



# 057 Ø13

## Adjustable hinge



Zinc Plated



CODE	FINISHING	WEIGHT	Pcs / Box	PRICE PCS.	TOT.
 <b>CF057130H001</b> Female part	Zinc Plated	27,22 gr.	500 1 x 500 (Box x pcs. each)	€ 1,168	€ 2,894
 <b>CG057130H003</b> Male part	Zinc Plated	40,7 gr.	500 1 x 500 (Box x pcs. each)	€ 1,726	

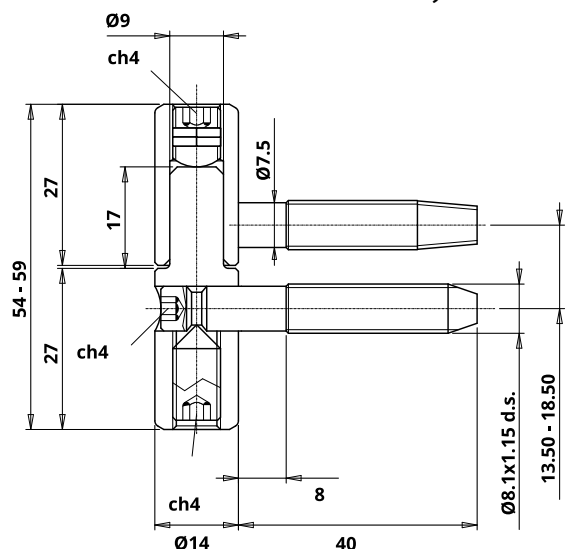
<b>TOOLS</b>  <b>MA701130G018</b> PVC toolkit for overlay doors Page 150	 <b>MC701130G060</b> PVC jig for overlay doors Page 155	<b>CAPS</b>  <b>847 Ø14</b> Aluminium cap Page 180	 <b>849 Ø14</b> Aluminium cap Page 181	Short link  www.otlav.it - 057 Ø13



# 057 Ø14

## Adjustable hinge



Zinc Plated



CODE	FINISHING	WEIGHT	Pcs / Box	PRICE PCS.	TOT.
 <b>CF057140H008</b> Female part	Zinc Plated	32,7 gr.	400 1 x 400 (Box x pcs. each)	€ 1,156	€ 3,057
 <b>CG057140H010</b> Male part	Zinc Plated	48,93 gr.	400 1 x 400 (Box x pcs. each)	€ 1,901	

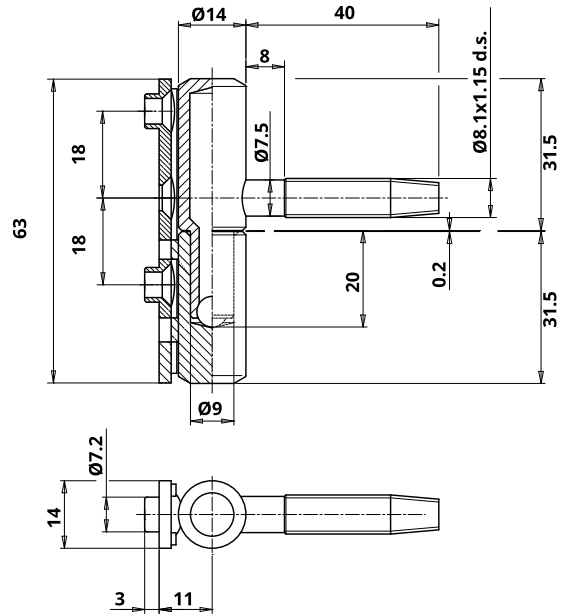
<b>TOOLS</b>  <b>MA700140G002</b> Wood toolkit for flush doors Page 148	 <b>MA701140G011</b> PVC toolkit for overlay doors Page 150	 <b>MC701140G060</b> PVC jig for overlay doors Page 155	<b>CAPS</b>  <b>847 Ø15</b> Aluminium cap Page 181	 <b>849 Ø15</b> Aluminium cap Page 182	Short link  www.otlav.it - 057 Ø14



# P58 Ø14

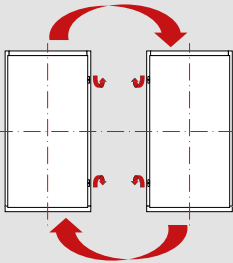
Hinge for reversible doors



Super Zinc Plated



CODE	FINISHING	WEIGHT	Pcs / Box	PRICE PCS.
 <b>CG0581408H03</b> Door part	Super Zinc Plated	39,29 gr.	400 1 x 400 (Box x pcs. each)	On request
 <b>CGP581408H02</b> Frame part	Super Zinc Plated	41,2 gr.	400 1 x 400 (Box x pcs. each)	On request



## HINGES FOR REVERSIBLE DOORS

The range of hinges for reversible doors permits to easily run the stocks with just one kind of panel. Using this kind of hinges it becomes easy to decide if one door has to be left or right, directly while installing it.



CAPS

**P58 Ø14**  
Kit aluminium caps  
Page 182

Short link



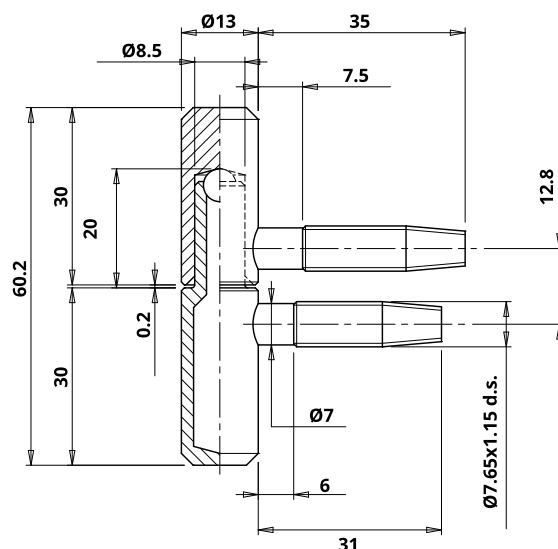
www.otlav.it - P58 Ø14





070 Ø13



Zincado



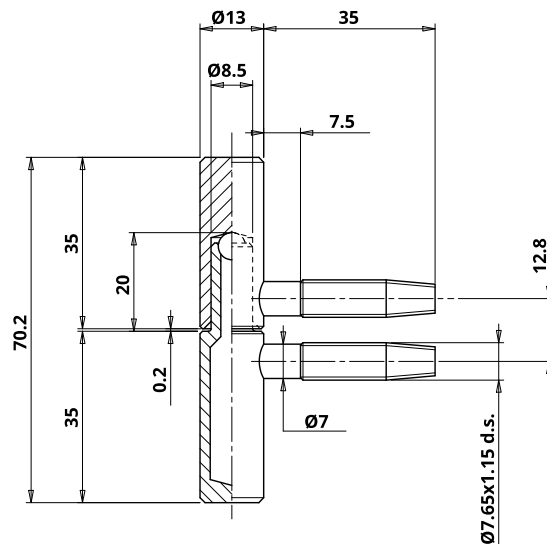
CÓDIGO	ACABADO	PESO	PZAS. / EMBALAJE	PRECIO UNIT.	TOT.
 <b>CF070130H002</b> Hembra	Zincado	29,97 gr.	600 1 x 600 (Box x pzas. cad.)	€ 0,326	€ 0,685
 <b>CG070130H002</b> Macho	Zincado	32,48 gr.	600 1 x 600 (Box x pzas. cad.)	€ 0,359	



<b>PLANTILLAS</b>	 <b>MA701130G018</b> Kit plantillas de PVC para puerta solapada Pág. 150	 <b>MC701130G060</b> Plantilla en PVC para puertas solapadas Pág. 155	<b>CAPUCHONES</b>	 <b>847 Ø14</b> Capuchón de aluminio Pág. 180	 <b>849 Ø14</b> Capuchón de aluminio Pág. 181	Short link  <a href="http://www.otlav.it">www.otlav.it</a> - 070 Ø13





075 Ø13



Zinc Plated



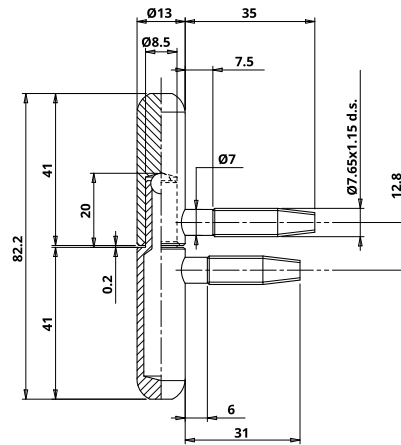
CODE	FINISHING	WEIGHT	Pcs / Box	PRICE PCS.	TOT.
 <b>CF075130H004</b> Female part	Zinc Plated	35,28 gr.	500 1 x 500 (Box x pcs. each)	€ 0,349	€ 0,728
 <b>CG075130H004</b> Male part	Zinc Plated	37,4 gr.	500 1 x 500 (Box x pcs. each)	€ 0,379	





<b>TOOLS</b>	 <b>MA701130G018</b> PVC toolkit for overlay doors Page 150	 <b>MC701130G060</b> PVC jig for overlay doors Page 155	<b>CAPS</b>	 <b>844 Ø14</b> Aluminium cap Page 179	Short link  <a href="http://www.otlav.it">www.otlav.it</a> - 075 Ø13

## 085 Ø13



Zinc Plated



CODE	FINISHING	WEIGHT	Pcs / Box	PRICE PCS.	TOT.
 <b>CF085130H002</b> Female part	Zinc Plated	40,13 gr.	450 1 x 450 (Box x pcs. each)	€ 0,388	€ 0,792
 <b>CG085130H004</b> Male part	Zinc Plated	4,1,22 gr.	450 1 x 450 (Box x pcs. each)	€ 0,404	
 <b>CF085130H005</b> Female part on loader	Zinc Plated	40,13 gr.	285 1 x 285 (Box x pcs. each)	On request	
 <b>CG085130H005</b> Male part on loader	Zinc Plated	4,1,22 gr.	285 1 x 285 (Box x pcs. each)	On request	

TOOLS	 <b>MA701130G018</b> PVC toolkit for overlay doors Page 150	CAPS	 <b>844 Ø14</b> Aluminium cap Page 179
	 <b>MC701130G060</b> PVC jig for overlay doors Page 155		

Short link



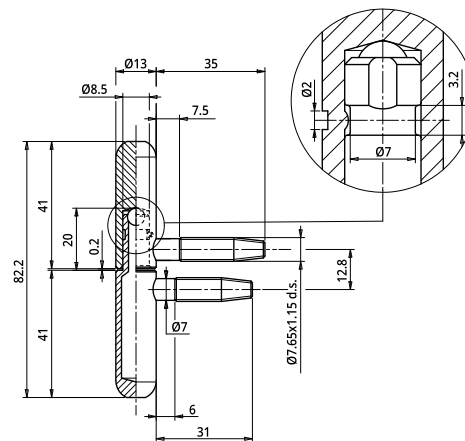
www.otlav.it - 085 Ø13



## 085 Ø13

### Hinge WASISTAS



Zinc Plated



CODE	FINISHING	WEIGHT	Pcs / Box	PRICE PCS.
 <b>CF085130H007</b> Female part	Zinc Plated	40,13 gr.	450 1 x 450 (Box x pcs. each)	On request
 <b>CG085130H007</b> Male part	Zinc Plated	4,1,22 gr.	450 1 x 450 (Box x pcs. each)	On request

TOOLS	 <b>MA701130G018</b> PVC toolkit for overlay doors Page 150	CAPS	 <b>844 Ø14</b> Aluminium cap Page 179
	 <b>MC701130G060</b> PVC jig for overlay doors Page 155		

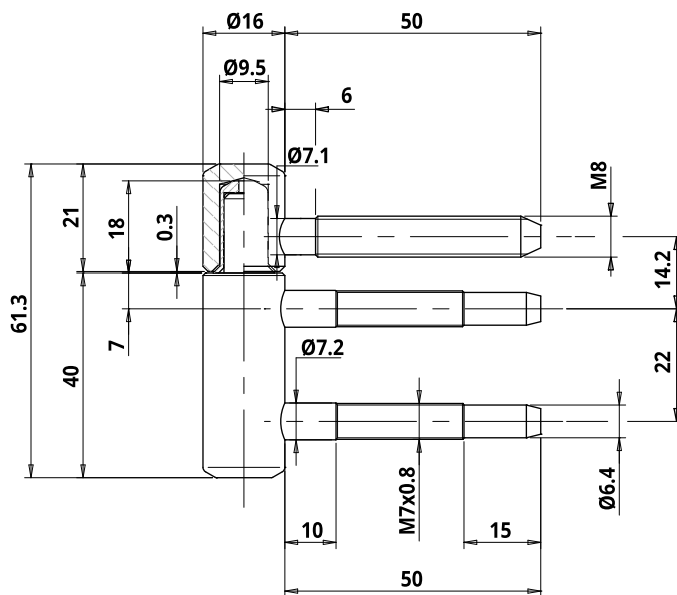
Short link





www.otlav.it - 085 Ø13



Nickel Plated



CODE	FINISHING	WEIGHT	Pcs / Box	PRICE PCS.
 <b>CF031160N006</b> Female part	Nickel Plated	37,7 gr.	320 4 x 80 (Box x pcs. each)	€ 0,59
 <b>CG133160N006</b> Male part	Nickel Plated	95 gr.	220 1 x 220 (Box x pcs. each)	On request

WOOD

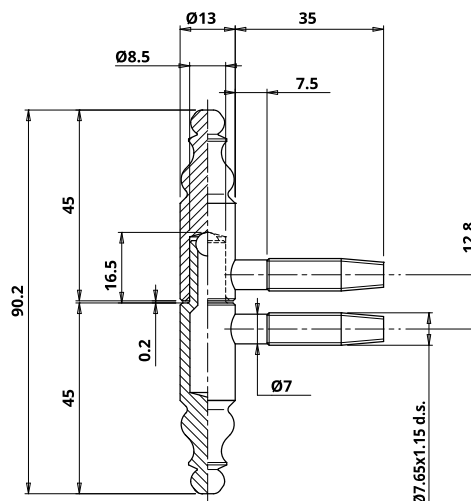







www.otlav.it - 133 Ø16

# 190 Ø13



Bronze Plated



CODE	FINISHING	WEIGHT	Pcs / Box	PRICE PCS.	TOT.
 <b>CF190130B110</b> Female part	Special Bronze Plated	36,72 gr.	400 4 x 100 (Box x pcs. each)	€ 0,55	€ 1,13
 <b>CG190130B112</b> Male part	Special Bronze Plated	37,12 gr.	400 4 x 100 (Box x pcs. each)	€ 0,58	
 <b>CF190130BN06</b> Female part	Bronze Plated	36,72 gr.	400 4 x 100 (Box x pcs. each)	€ 0,497	€ 1,02
 <b>CG190130BN06</b> Male part	Bronze Plated	37,12 gr.	400 4 x 100 (Box x pcs. each)	€ 0,523	
 <b>CI190130BN06</b> Complete hinge	Bronze Plated	75 gr.	260 4 x 65 (Box x pcs. each)	€ 1,049	
 <b>CF190130G008</b> Female part	Natural	37,16 gr.	500 1 x 500 (Box x pcs. each)	€ 0,418	€ 0,845
 <b>CG190130G008</b> Male part	Natural	38 gr.	500 1 x 500 (Box x pcs. each)	€ 0,427	
 <b>CF190130G204</b> Female part	Varnished Phosphatized	37,16 gr.	500 1 x 500 (Box x pcs. each)	€ 0,543	€ 1,114
 <b>CG190130G204</b> Male part	Varnished Phosphatized	38 gr.	500 1 x 500 (Box x pcs. each)	€ 0,571	
 <b>CF190130H205</b> Female part	Black Varnished Zinc Plated	36,88 gr.	500 1 x 500 (Box x pcs. each)	€ 0,506	€ 1,039
 <b>CG190130H205</b> Male part	Black Varnished Zinc Plated	37,72 gr.	500 1 x 500 (Box x pcs. each)	€ 0,533	
 <b>CF190130H803</b> Female part	Black Zinc	36,88 gr.	400 4 x 100 (Box x pcs. each)	€ 0,504	€ 1,035
 <b>CG190130H803</b> Male part	Black Zinc	37,72 gr.	400 4 x 100 (Box x pcs. each)	€ 0,531	
 <b>CF190130O006</b> Female part	Brass Plated	36,72 gr.	400 4 x 100 (Box x pcs. each)	€ 0,524	€ 1,075
 <b>CG190130O006</b> Male part	Brass Plated	37,12 gr.	400 4 x 100 (Box x pcs. each)	€ 0,551	
 <b>CF190130R004</b> Female part	Burnished	37,16 gr.	500 1 x 500 (Box x pcs. each)	€ 0,455	€ 0,935
 <b>CG190130R004</b> Male part	Burnished	38 gr.	500 1 x 500 (Box x pcs. each)	€ 0,48	

<b>TOOLS</b>  <b>MA701130G018</b> PVC toolkit for overlay doors Page 150	 <b>MC701130G060</b> PVC jig for overlay doors Page 155
---	---

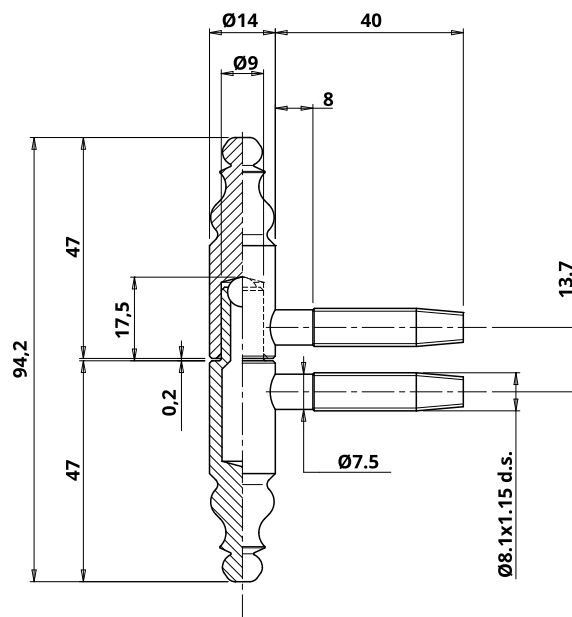
Short link









www.otlav.it - 190 Ø13



Bronze Plated



CODE	FINISHING	WEIGHT	Pcs / Box	PRICE PCS.	TOT.
 <b>CF190140BN04</b> Female part	Bronze Plated	46,9 gr.	320 4 x 80 (Box x pcs. each)	€ 0,638	€ 1,291
 <b>CG190140BN04</b> Male part	Bronze Plated	45,4 gr.	320 4 x 80 (Box x pcs. each)	€ 0,653	
 <b>CF190140H803</b> Female part	Black Zinc	47,08 gr.	320 4 x 80 (Box x pcs. each)	On request	€ 1,361
 <b>CG190140H803</b> Male part	Black Zinc	45,95 gr.	320 4 x 80 (Box x pcs. each)	On request	
 <b>CF1901400004</b> Female part	Brass Plated	46,9 gr.	320 4 x 80 (Box x pcs. each)	€ 0,673	€ 1,361
 <b>CG1901400004</b> Male part	Brass Plated	45,4 gr.	320 4 x 80 (Box x pcs. each)	€ 0,688	

## Tools



**MA700140G002**  
Wood toolkit for  
flush doors  
Page 148



**MA701140G011**  
PVC toolkit for  
overlay doors  
Page 150



**MC701140G060**  
PVC jig for overlay  
doors  
Page 155

Short link

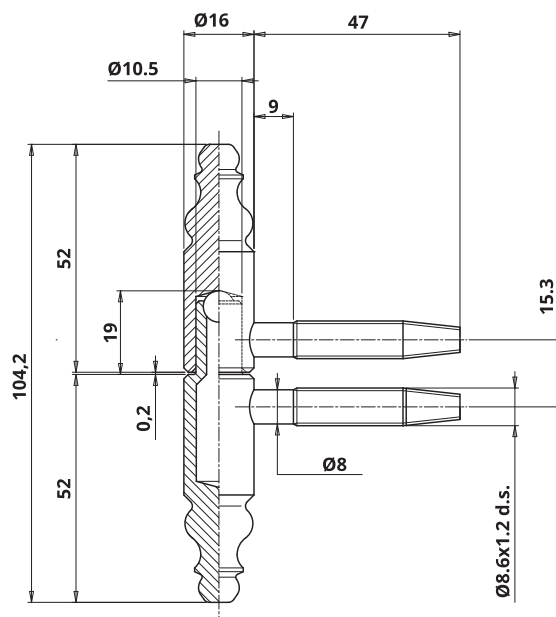







www.otlav.it - 190 Ø14

# 190 Ø16



Brass Plated



CODE	FINISHING	WEIGHT	Pcs / Box	PRICE PCS.	TOT.
 <b>CI190160B103</b> Complete hinge	Special Bronze Plated	140 gr.	120 4 x 30 (Box x pcs. each)	€ 2,16	
 <b>CF190160BN04</b> Female part	Bronze Plated	67,64 gr.	200 4 x 50 (Box x pcs. each)	€ 1,043	€ 2,092
 <b>CG190160BN04</b> Male part	Bronze Plated	69,44 gr.	200 4 x 50 (Box x pcs. each)	€ 1,049	
 <b>CF1901600002</b> Female part	Brass Plated	67,64 gr.	200 4 x 50 (Box x pcs. each)	€ 1,097	€ 2,215
 <b>CG1901600002</b> Male part	Brass Plated	69,44 gr.	200 4 x 50 (Box x pcs. each)	€ 1,118	

**TOOLS**



**MC701160G060**  
PVC jig for overlay doors  
Page 155

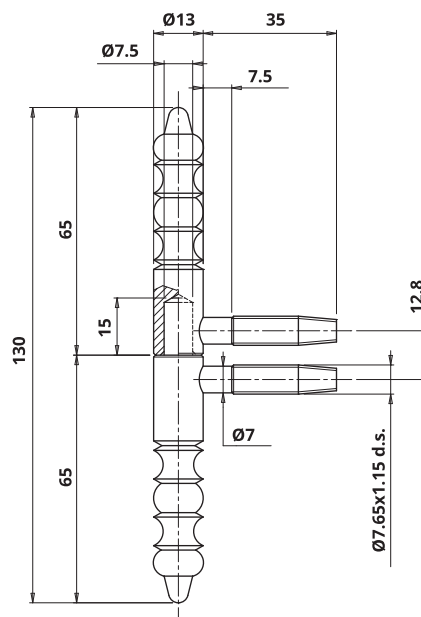
Short link





www.otlav.it - 190 Ø16



Varnished Phosphatized



CODE	FINISHING	WEIGHT	Pcs / Box	PRICE PCS.
 <b>CF210130G208</b> Female part	Varnished Phosphatized	53,34 gr.	300 1 x 300 (Box x pcs. each)	On request
 <b>CG210130G208</b> Male part	Varnished Phosphatized	63,97 gr.	300 1 x 300 (Box x pcs. each)	On request

TOOLS



**MA701130G018**  
PVC toolkit for overlay doors  
Page 150



**MC701130G060**  
PVC jig for overlay doors  
Page 155

Short link



www.otlav.it - 210 Ø13

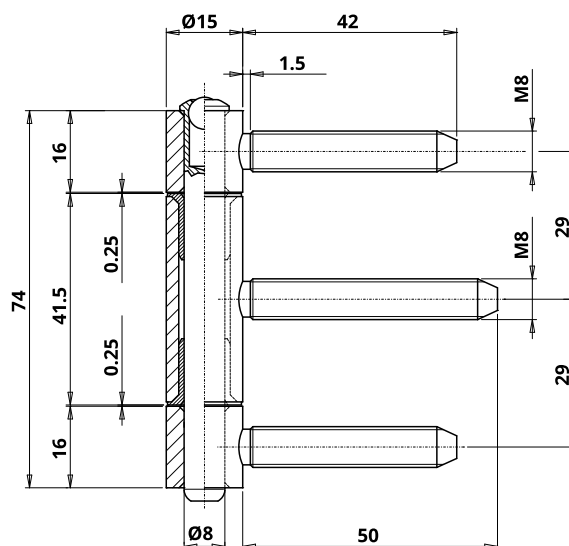





# 320 Ø15



Nickel Plated



CODE	FINISHING	WEIGHT	Pcs / Box	PRICE PCS.
 <b>CI320150N002</b> Complete hinge	Nickel Plated	126,55 gr.	160 4 x 40 (Box x pcs. each)	€ 2,69

TOOLS



**MA701150G002**  
Wood toolkit for  
overlay doors  
Page 152

Short link



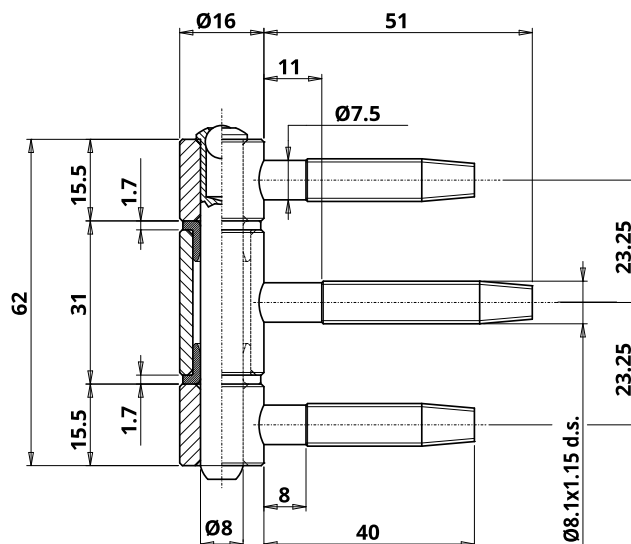
www.otlav.it - 320 Ø15


WOOD

# 320 Ø16



Zinc Plated



CODE	FINISHING	WEIGHT	Pcs / Box	PRICE PCS.
 <b>CI320160H004</b> Complete hinge	Zinc Plated	123,3 gr.	160 4 x 40 (Box x pcs. each)	€ 1,753

TOOLS



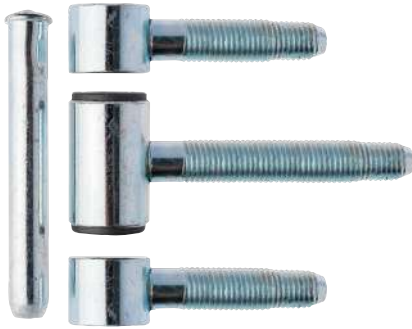
**MC701160G032**  
PVC jig for overlay  
doors  
Page 155

Short link



www.otlav.it - 320 Ø16

# 320 Ø18

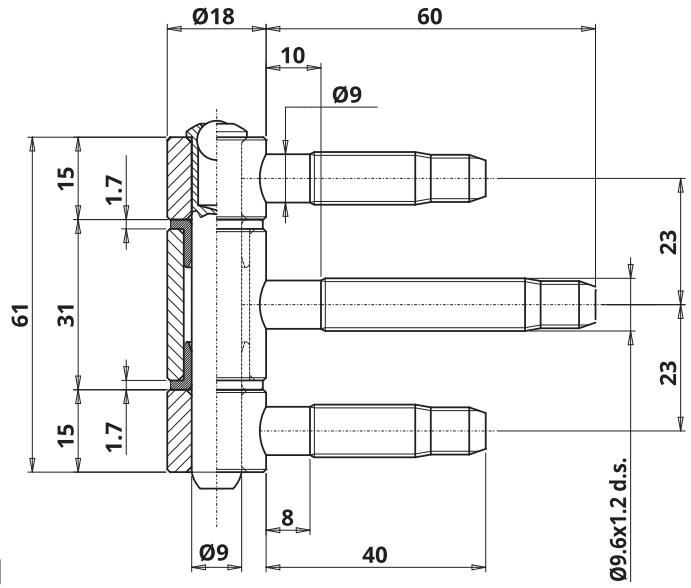



Zinc Plated



3 7 4 1 1 \* 0 11

\*Depending on the finish:  
Zinc Plated 2



CODE	FINISHING	WEIGHT	Pcs / Box	PRICE PCS.
 <b>CI320180H555</b> Complete hinge	Zinc Plated	171,13 gr.	120 4 x 30 (Box x pcs. each)	€ 3,275

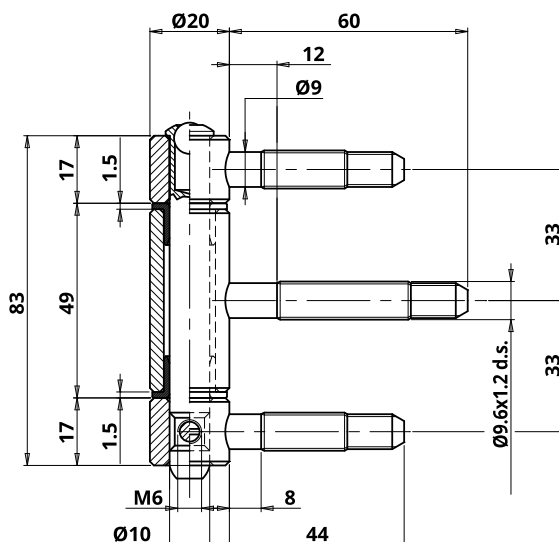
Short link




www.otlav.it - 320 Ø18



Zinc Plated



CODE	FINISHING	WEIGHT	Pcs / Box	PRICE PCS.
 <b>CI320200H511</b> Complete hinge	Zinc Plated	242,42 gr.	80 4 x 20 (Box x pcs. each)	€ 4,89

Tools



**MA701200G019**  
PVC toolkit for overlay doors  
Page 151



**MC701200G032**  
PVC jig for overlay doors  
Page 155

Short link

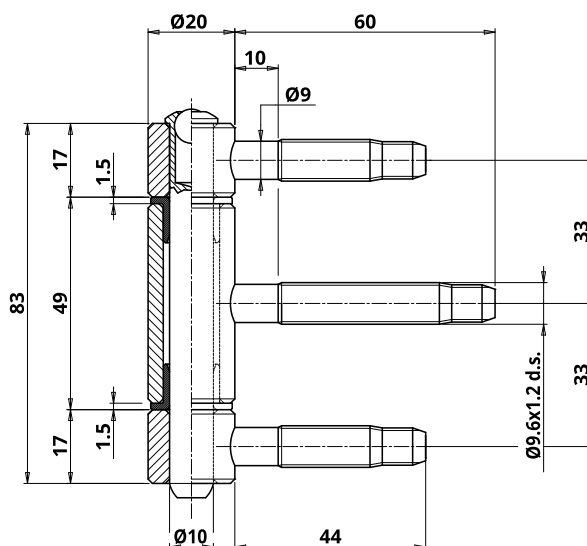



www.otlav.it - 320 Ø20

WOOD



Zinc Plated



CODE	FINISHING	WEIGHT	Pcs / Box	PRICE PCS.
 <b>CI320200H513</b> Complete hinge	Zinc Plated	242,42 gr.	80 4 x 20 (Box x pcs. each)	€ 3,88

Tools



**MA701200G019**  
PVC toolkit for overlay doors  
Page 151



**MC701200G032**  
PVC jig for overlay doors  
Page 155

Short link



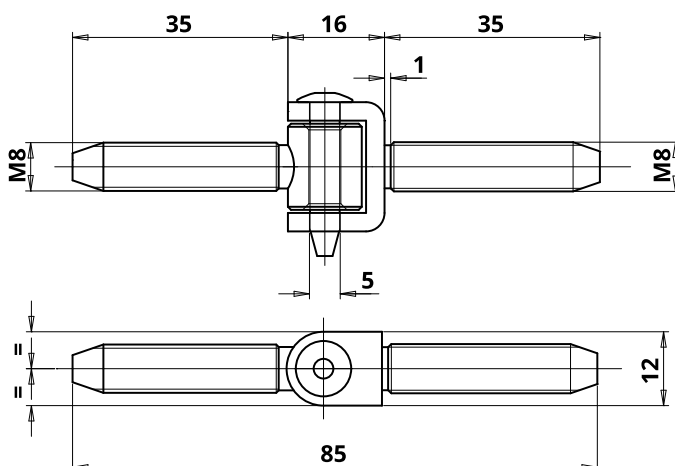
www.otlav.it - 320 Ø20

# NT 021




## Bolt hinge



White



1 4 1 0 1 3 0 3

CODE	FINISHING	WEIGHT	Pcs / Box	PRICE PCS.
 <b>CE014120P320</b> Socket M8x35 mm pin	White (RAL 9010)	20,03 gr.	1000 1 x 1000 (Box x pcs. each)	On request
 <b>FP0260488H02</b> Pin	Super Zinc Plated	3,77 gr.	5000 1 x 5000 (Box x pcs. each)	On request
 <b>NT021120P318</b> Fork M8x35 pin	White (RAL 9010)	19,83 gr.	1000 1 x 1000 (Box x pcs. each)	On request

Short link

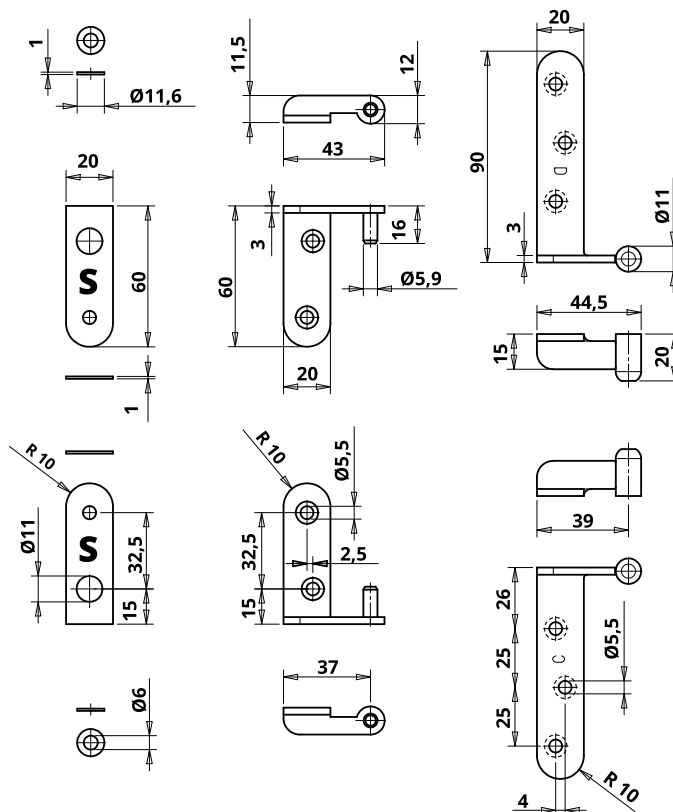




www.otlav.it - NT 021

Complete set S08, semi-disappearing pivot hinge for flush doors, reversible with 44 mm door thickness



Polished Gold



CODE	FINISHING	WEIGHT	Pcs / Box	PRICE PCS.
 <b>CIS08110K105</b> Complete hinge	Polished Gold	171 gr.	70 1 x 70 (Box x pcs. Each)	€ 9,95
 <b>CIS08110N705</b> Complete hinge	Satinized Nickel Plated	171 gr.	70 1 x 70 (Box x pcs. Each)	€ 9,11

Every door requires 2 devices AIS98 that must be fitted opposite each other  
 The maximum load capacity for Kit S08 is 40 kg. The maximum dimensions of the door must not exceed: 100 cm x 210 cm. 180° opening angle.  
 Equipped with two 1 mm-thick nylon shims (S) for adjusting the hinge on the frame if necessary.  
**Every door requires 2 AI S98 that must be fitted opposite each other.**

**ACCESSORIES**



**AI S98**  
Door alignment device  
Page 138

Short link



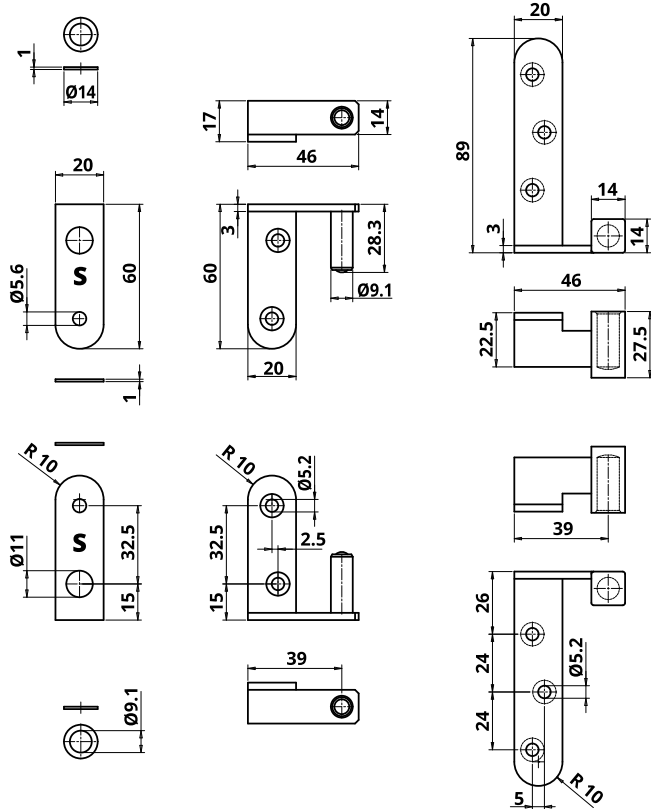
www.otlav.it - S08 Ø11

## S17 Ø14

Complete set S17, semi-disappearing square pivot hinge for flush doors, reversible with 44 mm door thickness



Satinized Silver



CODE	FINISHING	WEIGHT	Pcs / Box	PRICE PCS.
 <b>CIS17140V703</b> Complete hinge	Satinized Silver	269,6 gr.	40 1 x 40 (Box x pcs. Each)	€ 9,79

Every door requires 2 devices AIS98 that must be fitted opposite each other

The maximum load capacity for Kit S17 is 40 kg. The maximum dimensions of the door must not exceed: 100 cm x 210 cm. 180° opening angle.

Equipped with two 1 mm-thick nylon shims (S) for adjusting the hinge on the frame if necessary.

**Every door requires 2 AI S98 that must be fitted opposite each other.**

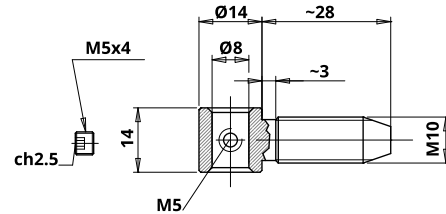
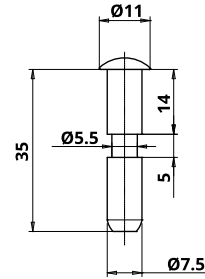




**CE 014 Ø14**

Pintle - socket WASISTAS pin M10x28 mm - pivot length 35 mm



Black Varnished Zinc Plated



CODE	FINISHING	WEIGHT	Pcs / Box	PRICE PCS.
 <b>CE014140H204</b>	Black Varnished Zinc Plated	19,54 gr.	800 4 x 200(Box x pcs. each)	On request
 <b>FP040075H202</b>	Black Varnished Zinc Plated	12,3 gr.	1200 8 x 150(Box x pcs. each)	On request

Short link



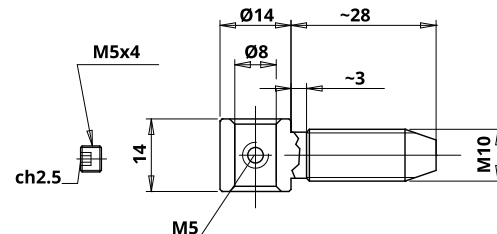
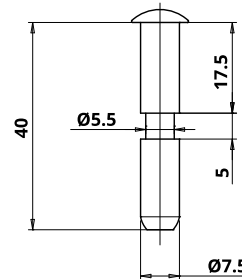
www.otlav.it - CE 014 Ø14



**CE 014 Ø14**

Pintle - socket WASISTAS - pin M10x28 mm - pivot length 40 mm



Black Varnished Zinc Plated



CODE	FINISHING	WEIGHT	Pcs / Box	PRICE PCS.
 <b>CE014140H204</b>	Black Varnished Zinc Plated	19,54 gr.	800 4 x 200(Box x pcs. each)	On request
 <b>FP042075H202</b>	Black Varnished Zinc Plated	14 gr.	1200 8 x 150(Box x pcs. each)	On request

Short link



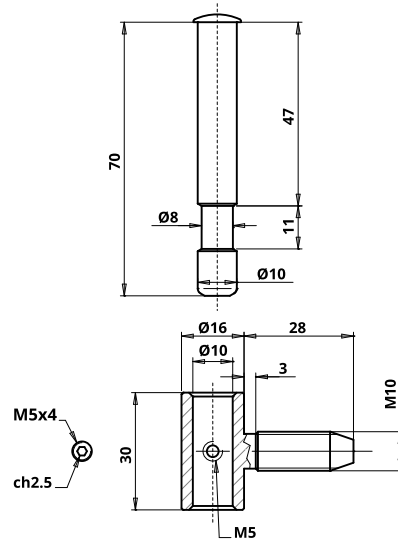
www.otlav.it - CE 014 Ø14



## CE 030 Ø16

Pintle - socket WASISTAS pin M10x28 mm



Black Varnished Zinc Plated



CODE	FINISHING	WEIGHT	Pcs / Box	PRICE PCS.	Tot.
 <b>CE030160H210</b>	Black Varnished Zinc Plated	39,7 gr.	500 4 x 125 (Box x pcs. each)	€ 0,922	€ 1,403
 <b>FP070100H210</b>	Black Varnished Zinc Plated	41,7 gr.	500 4 x 125 (Box x pcs. each)	€ 0,481	

Short link



www.otlav.it - CE 030 Ø16



# ADJUSTABLE hinges for WOOD

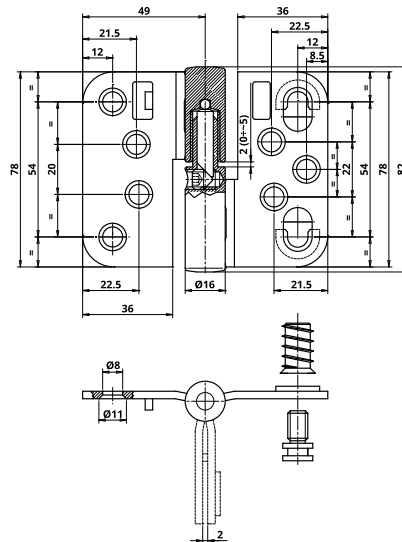







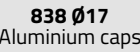
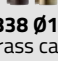
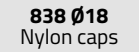
## NORDEX 484 Ø16

Hinge on plates - adjustable - DIN left



Zinc Plated 12µ



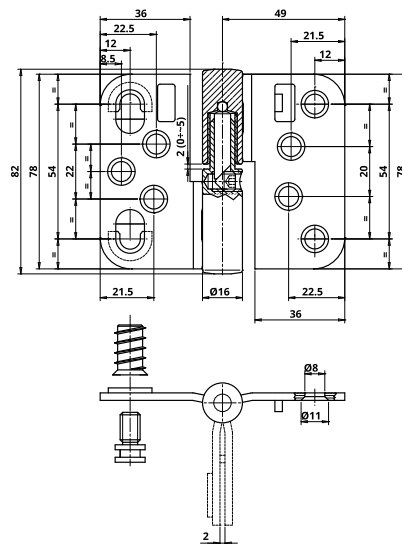
CODE	FINISHING	WEIGHT	Pcs / Box	PRICE PCS.
 <b>CI484160H503</b> Complete hinge	Zinc Plated 12µ	254,88 gr.	100 4 x 25 (Box x pcs. each)	On request
<b>CAPS</b>	 <b>838 Ø17</b> Aluminium caps Page 173	 <b>838 Ø18</b> Brass caps Page 175	 <b>838 Ø18</b> Nylon caps Page 175	<b>Short link</b>  www.otlav.it - NORDEX 484 Ø16
	 <b>839 Ø18</b> Aluminium caps Page 173	 <b>839 Ø18</b> Brass caps Page 175	 <b>839 Ø18</b> Nylon caps Page 175	






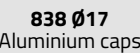
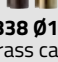
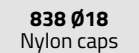
## NORDEX 484 Ø16

Hinge on plates - adjustable - DIN right



Zinc Plated 12µ



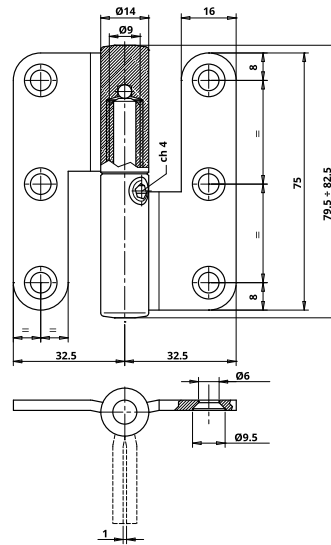
CODE	FINISHING	WEIGHT	Pcs / Box	PRICE PCS.
 <b>CI484160H504</b> Complete hinge	Zinc Plated 12µ	254,88 gr.	100 4 x 25 (Box x pcs. each)	On request
<b>CAPS</b>	 <b>838 Ø17</b> Aluminium caps Page 173	 <b>838 Ø18</b> Brass caps Page 175	 <b>838 Ø18</b> Nylon caps Page 175	<b>Short link</b>  www.otlav.it - NORDEX 484 Ø16
	 <b>839 Ø18</b> Aluminium caps Page 173	 <b>839 Ø18</b> Brass caps Page 175	 <b>839 Ø18</b> Nylon caps Page 175	

## POMELLAS Ø14

Hinge on plates - adjustable - DIN left



Zinc Plated



CODE	FINISHING	WEIGHT	Pcs / Box	PRICE PCS.
 <b>CI485140H003</b> Complete hinge	Zinc Plated	150 gr.	120 4 x 30 (Box x pcs. each)	€ 6,42
 <b>CI485140K103</b> Complete hinge	Polished Gold	150 gr.	120 4 x 30 (Box x pcs. each)	On request

CAPS	838 Ø15 Aluminium cap	838 Ø16 Brass cap	838 Ø16 Nylon cap	839 Ø16 Brass cap	846 Ø15 Aluminium cap
	Page 170	Page 171	Page 172	Page 177	Page 179

Short link



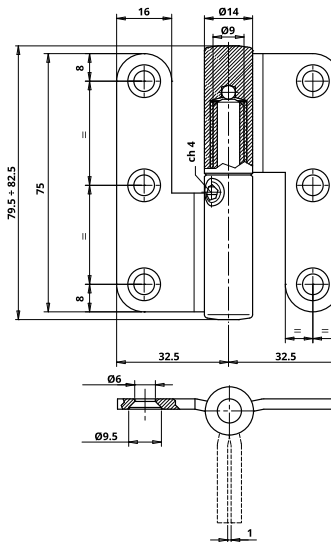
www.otlav.it - POMELLAS Ø14

## POMELLAS Ø14

Hinge on plates - adjustable - DIN right



Zinc Plated



CODE	FINISHING	WEIGHT	Pcs / Box	PRICE PCS.
 <b>CI485140H004</b> Complete hinge	Zinc Plated	150 gr.	120 4 x 30 (Box x pcs. each)	€ 6,42
 <b>CI485140K104</b> Complete hinge	Polished Gold	150 gr.	120 4 x 30 (Box x pcs. each)	On request

CAPS	838 Ø15 Aluminium cap	838 Ø16 Brass cap	838 Ø16 Nylon cap	839 Ø16 Brass cap	846 Ø15 Aluminium cap
	Page 170	Page 171	Page 172	Page 177	Page 179

Short link



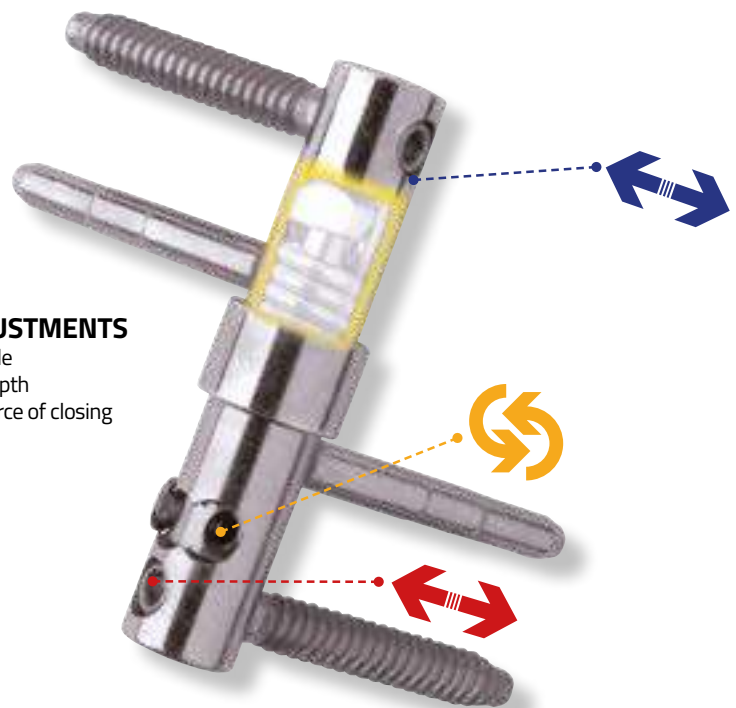
www.otlav.it - POMELLAS Ø14

488 Ø16

## SELF-CLOSING

Developed to combine perfectly with the technology of the Exacta hinge, this hinge ensures that the door on which it is mounted closes automatically. The force of the closure can be easily adjusted and it is a particularly advantageous solution for large scale applications.

For doors weighing up to 40 Kg, the fitting of a traditional EXACTA hinge in the middle and two 488 SELF-CLOSING hinges at the ends of the door is recommended; whereas for doors weighing between 40 and 60 Kg, it is advisable to fit two traditional EXACTA hinges at the ends of the door and two 488 SELF-CLOSING hinges in the middle.

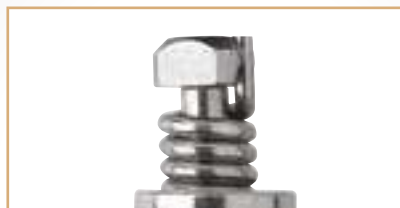


### ADJUSTMENTS

- Side
- Depth
- Force of closing



**1.** By acting on the threaded pin it is possible to quickly fit the hinge using the appropriate hexagonal bit for electrical drill screws and then make the side precision adjustment using the special "T" wrench.



**2/3.** The force of the automatic closing, which also depends on the weight and size of the door, can easily be adjusted by varying the position of the special adjusting screw. This operation is clearly illustrated in the mounting diagram supplied with the hinges.

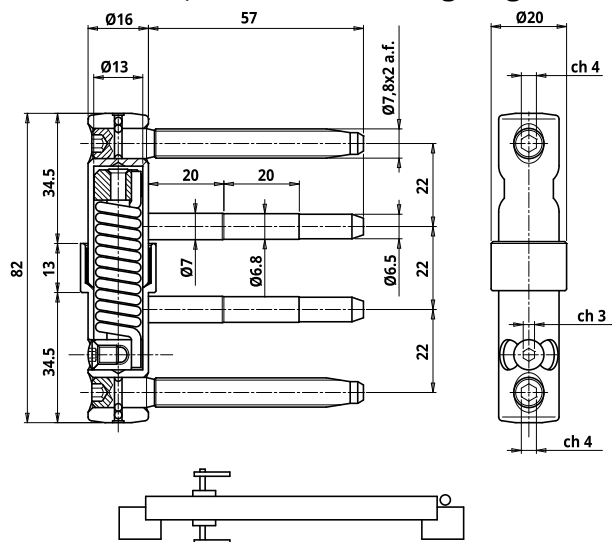


**488 Ø16**

Adjustable self-closing hinge DIN left



Zinc Plated

**CODE****FINISHING****WEIGHT****Pcs / Box****PRICE PCS.****CI488160H504**

Complete hinge

Zinc Plated 12µ

174,88 gr.

100  
4 x 25 (Box x pcs. each)

€ 19,00

**TOOLS****MA700160G006**  
PVC toolkit for  
flush doors  
Page 148**MA701160G035**  
PVC toolkit for  
overlay doors  
Page 150**MA801160G028**  
Rod  
Page 154**MC701160G035**  
PVC jig for overlay  
doors  
Page 155

Short link



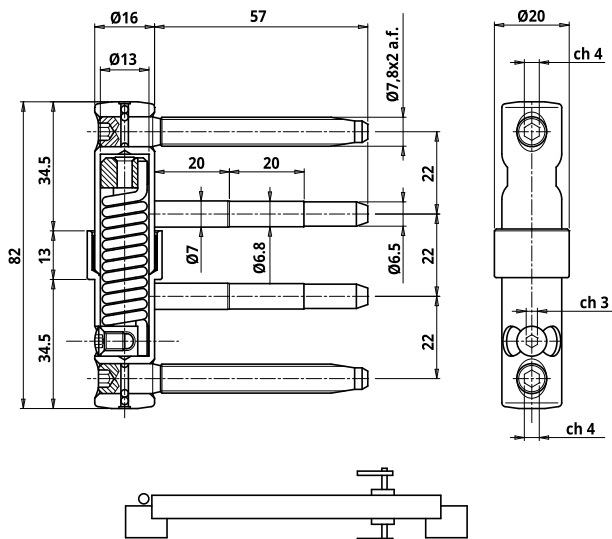
www.otlav.it - 488 Ø16

**488 Ø16**

Adjustable self-closing hinge DIN right



Zinc Plated

**CODE****FINISHING****WEIGHT****Pcs / Box****PRICE PCS.****CI488160H506**

Complete hinge

Zinc Plated 12µ

174,88 gr.

100  
4 x 25 (Box x pcs. each)

€ 19,00

**TOOLS****MA700160G006**  
PVC toolkit for  
flush doors  
Page 148**MA701160G035**  
PVC toolkit for  
overlay doors  
Page 150**MA801160G028**  
Rod  
Page 154**MC701160G035**  
PVC jig for overlay  
doors  
Page 155

Short link



www.otlav.it - 488 Ø16

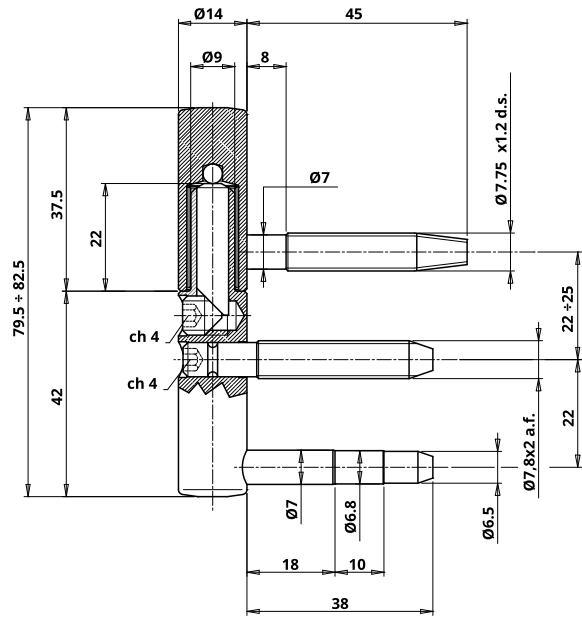
ADJUSTABLE



# 491 Ø14






2D adjustable hinge, female pin 7,75x45 mm, male pin 7,8x38 mm



Zinc Plated 12µ



CODE	FINISHING	WEIGHT	Pcs / Box	PRICE PCS.	TOT.
 <b>CF491140H508</b> Female part	Zinc Plated 12µ	47,65 gr.	260 4 x 65 (Box x pcs. each)	€ 0,92	€ 3,55
 <b>CG495140H502</b> Male part	Zinc Plated 12µ	76,8 gr.	260 4 x 65 (Box x pcs. each)	€ 2,63	

CAPS	 <b>838 Ø15</b> Aluminium cap Page 170	 <b>838 Ø16</b> Brass cap Page 171	 <b>838 Ø16</b> Nylon cap Page 172	 <b>839 Ø16</b> Brass cap Page 177	 <b>846 Ø15</b> Aluminium cap Page 179
------	--	--	--	--	--

Short link



www.otlav.it - 491 Ø14

# EXACTA

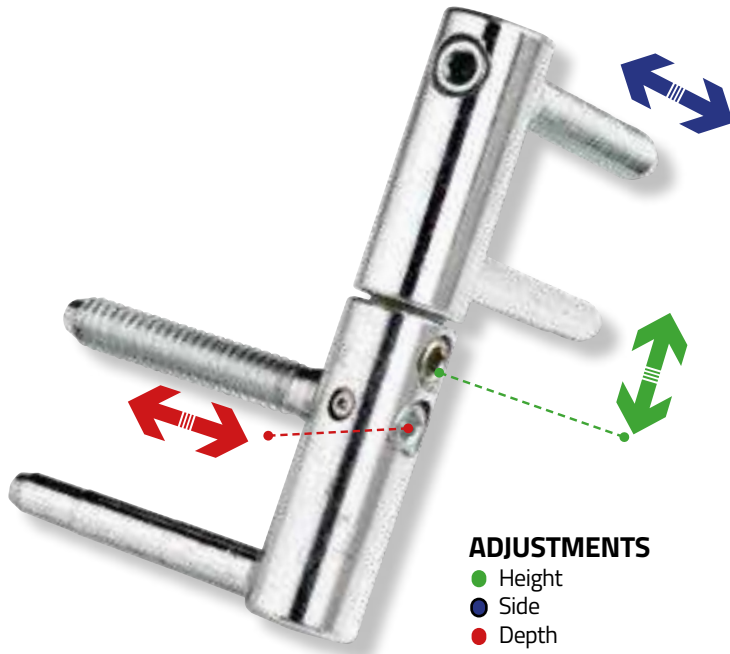
Designed to combine the perfection of three-dimensional fixture adjustment with an easy and, above all, reliable system, Exacta epitomizes the essence of OTLAV functionality.

The practical aspects of Exacta are built into each component of the hinge.

Every part that makes up this sophisticated adjustment system has been meticulously designed and only the best materials are used after having passed strict inspection tests.

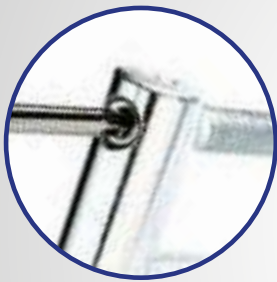
A wide range of brass, steel and ABS caps means that doors and windows can now be given a personal touch of style.

Exacta's precision, reliability and practicality are all concepts that perfectly reflect the OTLAV style, which has always been geared towards continually advancing its product technology.



## ADJUSTMENTS

- Height
- Side
- Depth



By acting on the threaded pin it is possible to quickly fit the hinge using the appropriate hexagonal bit for electrical drill screwdrivers and then make the side precision adjustment using the special "T" wrench.

The wide, self-threading pitch not only means that assembling time is greatly reduced.

By using a "T" wrench it is possible to adjust the height of the pivot, therefore raising the female part. The weight of the door is evenly distributed over all the door-frame hinges thanks to the great sensitivity of the height adjusting device.

# EXACTA Ø13

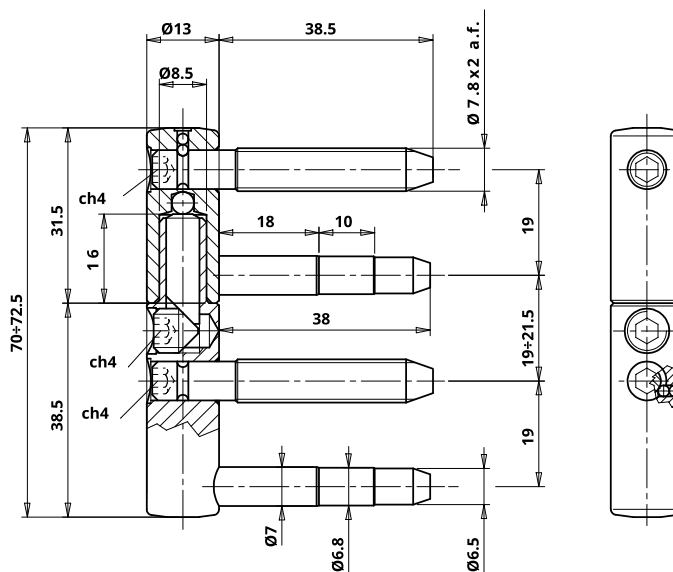
3D adjustable hinge - pins 7,8x38 mm





Zinc Plated 12 $\mu$



3 7 4 0 1 2 0 1 1



CODE	FINISHING	WEIGHT	Pcs / Box	PRICE PCS.	TOT.
 <b>CF495130H502</b> Female part	Zinc Plated 12 $\mu$	45 gr.	320 4 x 80 (Box x pcs. each)	€ 1,461	€ 3,871
 <b>CG495130H502</b> Male part	Zinc Plated 12 $\mu$	64 gr.	320 4 x 80 (Box x pcs. each)	€ 2,41	

<b>TOOLS</b>  <b>MA701130G024</b> Aluminium toolkit for overlay doors Page 152	 <b>MC701130G022</b> Aluminium jig for overlay doors Page 156	<b>CAPS</b>  <b>838 Ø14</b> Aluminium cap Page 170
--	--	---

Short link



www.otlav.it - EXACTA Ø13



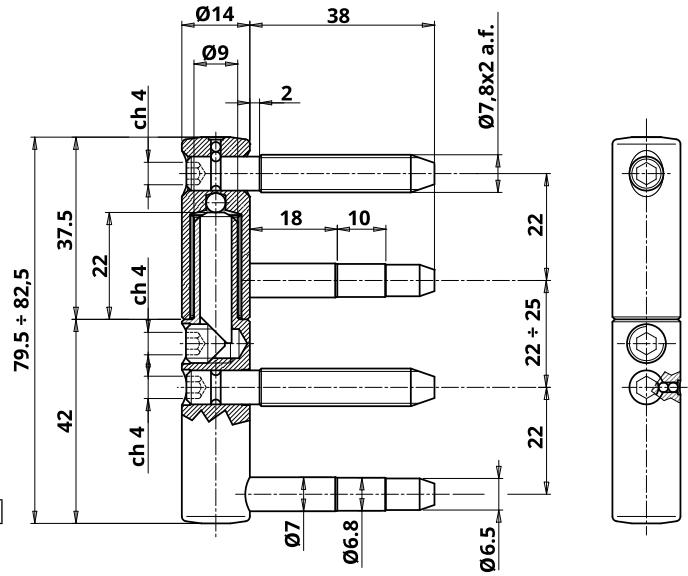


Zinc Plated 12µ



3 7 4 1 1 \* 0 11

*Depending on the finish:	
Bronze Plated	1
Zinc Plated 12µ	2
Zinc Nickel 7µ	5



CODE	FINISHING	WEIGHT	Pcs / Box	PRICE PCS.	TOT.
<b>CF495140BN02</b> Female part	Bronze Plated	55,45 gr.	260 4 x 65 (Box x pcs. each)	€ 1,90	€ 4,60
<b>CG495140BN02</b> Male part	Bronze Plated	76,8 gr.	260 4 x 65 (Box x pcs. each)	€ 2,70	
<b>CF495140H519</b> Female part	Zinc Plated 12µ	52,8 gr.	260 4 x 65 (Box x pcs. each)	€ 1,753	€ 4,383
<b>CG495140H502</b> Male part	Zinc Plated 12µ	76,8 gr.	260 4 x 65 (Box x pcs. each)	€ 2,63	
<b>CF495140H002</b> Female part <b>High resistance to corrosion</b>	Zinc Nickel 7µ	52,8 gr.	260 4 x 65 (Box x pcs. each)	€ 2,00	€ 4,636
<b>CG495140H004</b> Male part <b>High resistance to corrosion</b>	Zinc Nickel 7µ	81,8 gr.	260 4 x 65 (Box x pcs. each)	€ 2,636	

TOOLS	<b>MA700160G006</b> PVC toolkit for flush doors Page 148	<b>MA701160G035</b> PVC toolkit for overlay doors Page 150	<b>MA801160G028</b> Rod Page 154	<b>MC701160G035</b> PVC jig for overlay doors Page 155	
	CAPS	<b>838 Ø15</b> Aluminium cap Page 170	<b>838 Ø16</b> Brass cap Page 171	<b>838 Ø16</b> Nylon cap Page 172	<b>839 Ø16</b> Brass cap Page 177
		<b>846 Ø15</b> Aluminium cap Page 179			



www.otlav.it - EXACTA Ø14

ADJUSTABLE



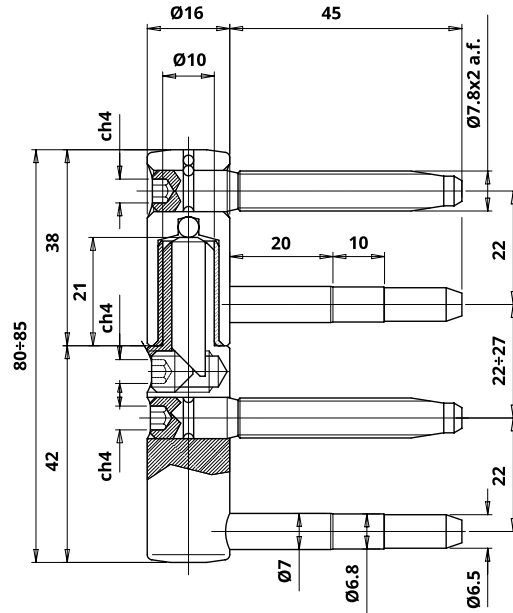






Zinc Plated 12µ



4 7 5 1 1 \* 0 12

\*Depending on the finish:  
 Bronze Plated 1  
 Zinc Plated 12µ 2



CODE	FINISHING	WEIGHT	Pcs / Box	PRICE PCS.	TOT.
 <b>CF495160BN02</b> Female part	Bronze Plated	64,44 gr.	200 4 x 50 (Box x pcs. each)	€ 2,193	€ 5,263
 <b>CG495160BN02</b> Male part	Bronze Plated	96,24 gr.	200 4 x 50 (Box x pcs. each)	€ 3,07	
 <b>CF495160H502</b> Female part	Zinc Plated 12µ	64,44 gr.	200 4 x 50 (Box x pcs. each)	€ 2,046	€ 5,116
 <b>CG495160H502</b> Male part	Zinc Plated 12µ	96,24 gr.	200 4 x 50 (Box x pcs. each)	€ 3,07	

TOOLS



**MA700160G006**  
PVC toolkit for flush doors  
Page 148



**MA701160G035**  
PVC toolkit for overlay doors  
Page 150



**MA801160G028**  
Rod  
Page 154



**MC701160G035**  
PVC jig for overlay doors  
Page 155

CAPS



**838 Ø17**  
Aluminium caps  
Page 173



**838 Ø18**  
Brass caps  
Page 175



**838 Ø18**  
Nylon caps  
Page 175



**839 Ø18**  
Brass caps  
Page 178



**846 Ø17**  
Aluminium caps  
Page 180

Short link



www.otlav.it - EXACTA Ø16

## EXACTA Ø16

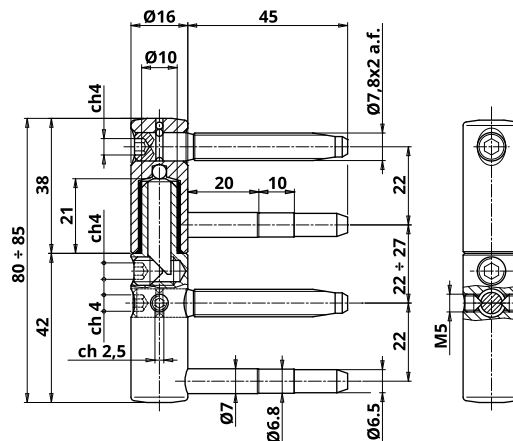
3D adjustable hinge - pins 7,8x45 mm - ANTI-UNTHREADING





Zinc Plated 12µ



4 7 5 1 1 2 0 12



CODE	FINISHING	WEIGHT	Pcs / Box	PRICE PCS.	TOT.
 <b>CF495160H502</b> Female part	Zinc Plated 12µ	64,44 gr.	200 4 x 50 (Box x pcs. each)	€ 2,046	€ 6,866
 <b>CG495160H504</b> Male part	Zinc Plated 12µ	96,24 gr.	200 4 x 50 (Box x pcs. each)	€ 4,82	

Short link



www.otlav.it - EXACTA Ø16

## EXACTA Ø16

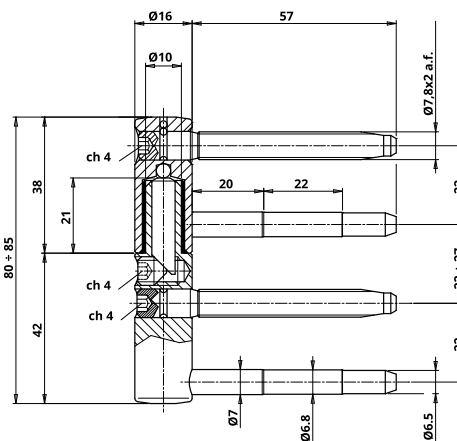
3D adjustable hinge - pins 7,8x57 mm





Zinc Plated 12µ

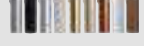

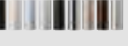




4 7 5 1 1 2 0 12



CODE	FINISHING	WEIGHT	Pcs / Box	PRICE PCS.	TOT.
 <b>CF495160H507</b> Female part	Zinc Plated 12µ	71,44 gr.	200 4 x 50 (Box x pcs. each)	€ 2,162	€ 5,372
 <b>CG495160H507</b> Male part	Zinc Plated 12µ	103,64 gr.	200 4 x 50 (Box x pcs. each)	€ 3,21	

TOOLS			
 <b>MA700160G006</b> PVC toolkit for flush doors Page 148	 <b>MA701160G035</b> PVC toolkit for overlay doors Page 150	 <b>MA801160G028</b> Rod Page 154	 <b>MC701160G035</b> PVC jig for overlay doors Page 155

CAPS				
 <b>838 Ø17</b> Aluminium caps Page 173	 <b>838 Ø18</b> Brass caps Page 175	 <b>838 Ø18</b> Nylon caps Page 175	 <b>839 Ø18</b> Brass caps Page 178	 <b>846 Ø17</b> Aluminium caps Page 180

Short link



www.otlav.it - EXACTA Ø16

# EXACTA Ø16

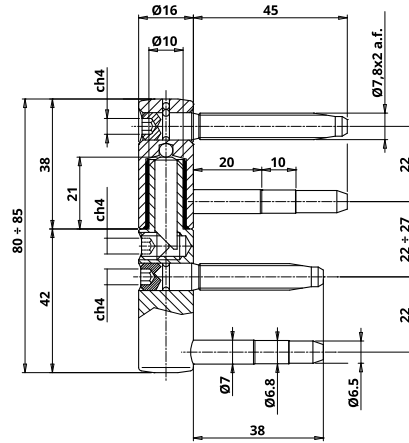
3D adjustable hinge - female pins 7,8x45 mm - male pins 7,8x38 mm



Zinc Plated 12µ



4 7 5 1 1 2 0 12



CODE	FINISHING	WEIGHT	Pcs / Box	PRICE PCS.	TOT.
<b>CF495160H502</b> Female part	Zinc Plated 12µ	64,44 gr.	200 4 x 50(Box x pcs. each)	€ 2,046	€ 5,256
<b>CG495160H517</b> Male part	Zinc Plated 12µ	96,24 gr.	200 4 x 50(Box x pcs. each)	€ 3,21	

Short link



www.otlav.it - EXACTA Ø16

# EXACTA Ø16

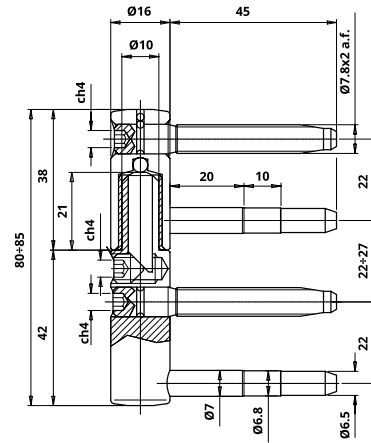
3D adjustable hinge - **stainless steel** - with nylon bush - pins 7,8x45 mm



Matt Stainless Steel



4 7 5 1 1 5 0 12



CODE	FINISHING	WEIGHT	Pcs / Box	PRICE PCS.
<b>CI495160IM02</b> Complete hinge	Matt Stainless Steel	159,77 gr.	120 8 x 15(Box x pcs. each)	€ 29,50

TOOLS			
 <b>MA700160G006</b> PVC toolkit for flush doors Page 148	 <b>MA701160G035</b> PVC toolkit for overlay doors Page 150	 <b>MA801160G028</b> Rod Page 154	 <b>MC701160G035</b> PVC jig for overlay doors Page 155

CAPS				
 <b>838 Ø17</b> Aluminium caps Page 173	 <b>838 Ø18</b> Brass caps Page 175	 <b>838 Ø18</b> Nylon caps Page 175	 <b>839 Ø18</b> Brass caps Page 178	 <b>846 Ø17</b> Aluminium caps Page 180

Short link



www.otlav.it - EXACTA Ø16

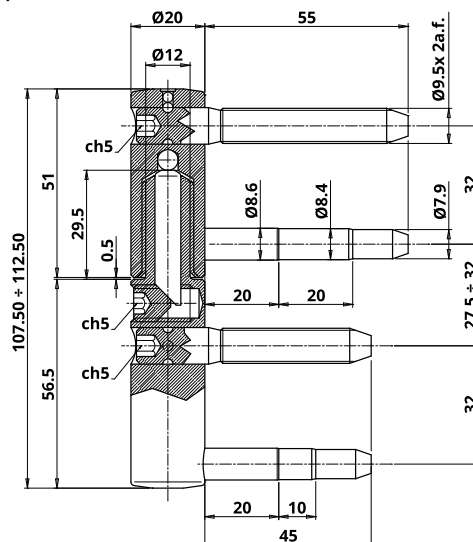
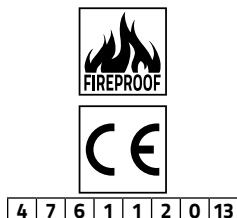
ADJUSTABLE



## EXACTA Ø20




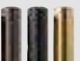
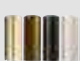


3D adjustable hinge - female pins 9,5x55 mm - male pins 9,5x45 mm



Zinc Plated 12µ



CODE	FINISHING	WEIGHT	Pcs / Box	PRICE PCS.	Tot.
 <b>CF495200H502</b> Female part	Zinc Plated 12µ	132,08 gr.	100 4 x 25 (Box x pcs. each)	€ 3,80	€ 9,35
 <b>CG495200H509</b> Male part	Zinc Plated 12µ	189,28 gr.	100 4 x 25 (Box x pcs. each)	€ 5,55	

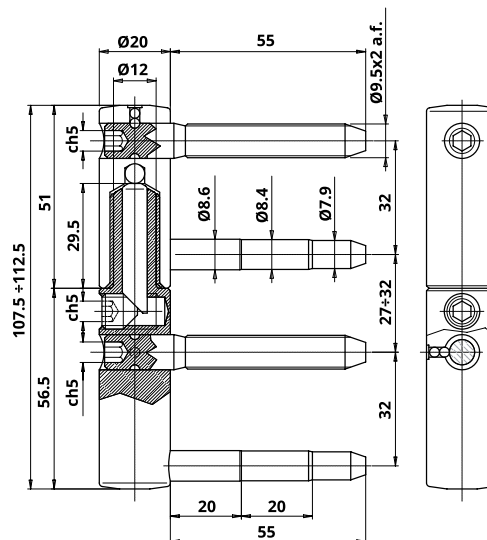
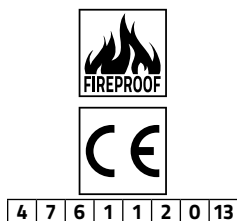
TOOLS	CAPS			Short link
 <b>MA700200G010</b> Wood toolkit for flush doors Page 149	 <b>MA701200G014</b> PVC toolkit for overlay doors Page 150	 <b>MC701200G009</b> PVC jig for overlay doors Page 155	 <b>838 Ø22</b> Brass cap Page 176	 <b>838 Ø22</b> Nylon cap Page 177
			 <b>839 Ø22</b> Brass cap Page 178	 www.otlav.it - EXACTA Ø20



## EXACTA Ø20








3D adjustable hinge - pins 9,5x55 mm



Zinc Plated 12µ



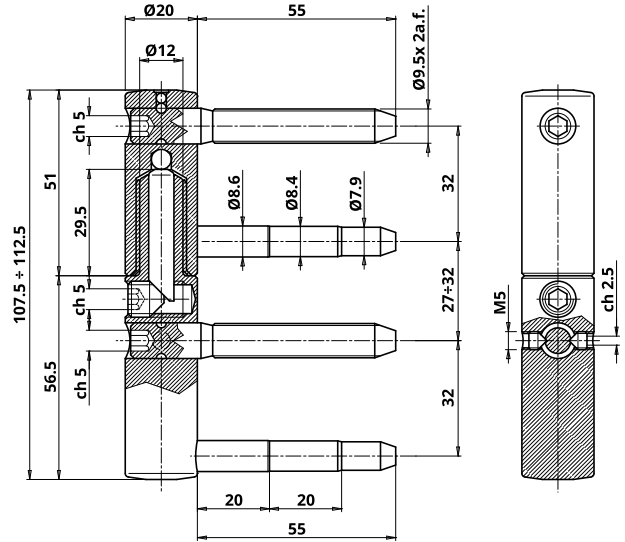
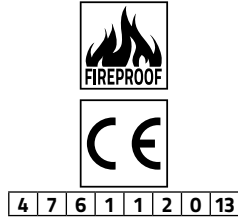
CODE	FINISHING	WEIGHT	Pcs / Box	PRICE PCS.	Tot.
 <b>CF495200H502</b> Female part	Zinc Plated 12µ	132,08 gr.	100 4 x 25 (Box x pcs. each)	€ 3,80	€ 8,18
 <b>CG495200H502</b> Male part	Zinc Plated 12µ	196,48 gr.	100 4 x 25 (Box x pcs. each)	€ 4,38	

TOOLS	CAPS			Short link
 <b>MA700200G010</b> Wood toolkit for flush doors Page 149	 <b>MA701200G014</b> PVC toolkit for overlay doors Page 150	 <b>MC701200G009</b> PVC jig for overlay doors Page 155	 <b>838 Ø22</b> Brass cap Page 176	 <b>838 Ø22</b> Nylon cap Page 177
			 <b>839 Ø22</b> Brass cap Page 178	 www.otlav.it - EXACTA Ø20

3D adjustable hinge - pins 9,5x55 mm - ANTI-UNTHREADING



Zinc Plated 12µ



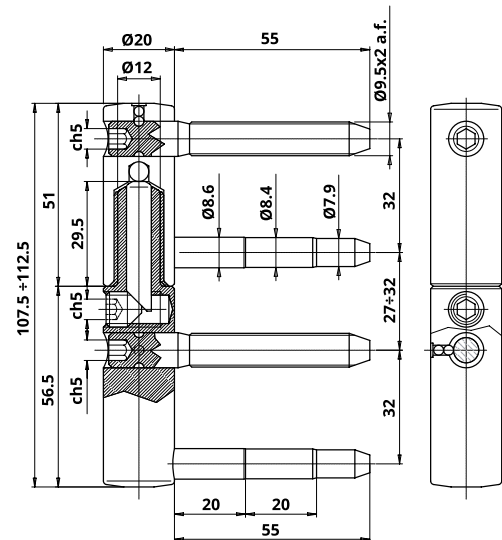
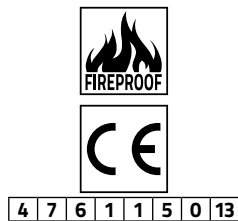
CODE	FINISHING	WEIGHT	Pcs / Box	PRICE PCS.	TOT.
<b>CF495200H502</b> Female part	Zinc Plated 12µ	132,08 gr.	100 4 x 25 (Box x pcs. each)	€ 3,80	€ 11,10
<b>CG495200H505</b> Male part	Zinc Plated 12µ	196,48 gr.	100 4 x 25 (Box x pcs. each)	€ 7,30	

<b>TOOLS</b>	<b>MA700200G010</b> Wood toolkit for flush doors Page 149	<b>MA701200G014</b> PVC toolkit for overlay doors Page 150	<b>MC701200G009</b> PVC jig for overlay doors Page 155	<b>CAPS</b>	<b>838 Ø22</b> Brass cap Page 176	<b>838 Ø22</b> Nylon cap Page 177	<b>839 Ø22</b> Brass cap Page 178	<b>Short link</b>  <a href="http://www.otlav.it">www.otlav.it</a> - EXACTA Ø20

3D adjustable hinge - **stainless steel** - with nylon bush - pins 9,5x55 mm



Matt Stainless Steel



CODE	FINISHING	WEIGHT	Pcs / Box	PRICE PCS.
<b>CI495200IM02</b> Complete hinge	Matt Stainless Steel	331,79 gr.	64 8 x 8 (Box x pcs. each)	€ 56,00

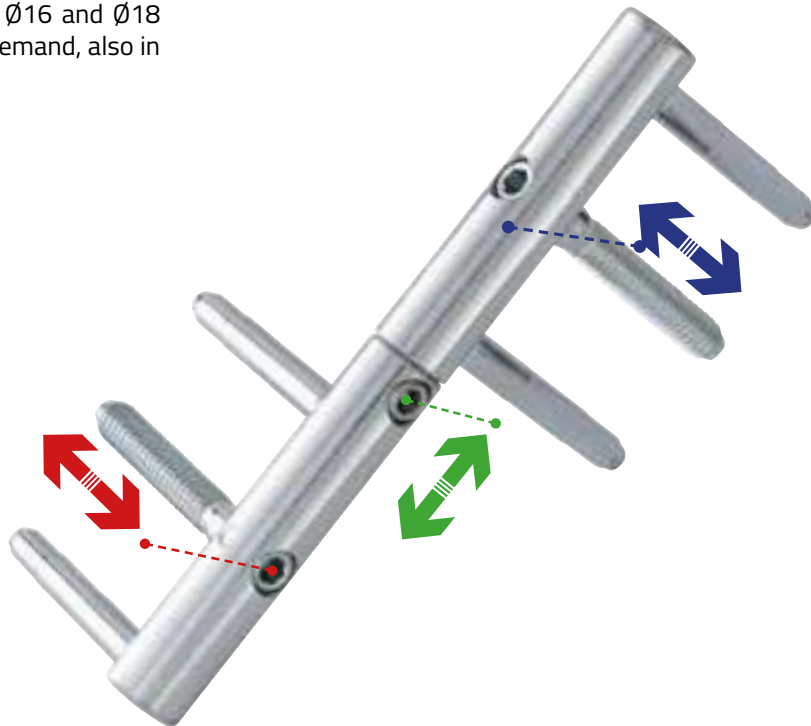
<b>TOOLS</b>	<b>MA700200G010</b> Wood toolkit for flush doors Page 149	<b>MA701200G014</b> PVC toolkit for overlay doors Page 150	<b>MC701200G009</b> PVC jig for overlay doors Page 155	<b>CAPS</b>	<b>838 Ø22</b> Brass cap Page 176	<b>838 Ø22</b> Nylon cap Page 177	<b>839 Ø22</b> Brass cap Page 178	<b>Short link</b>  <a href="http://www.otlav.it">www.otlav.it</a> - EXACTA Ø20

# URSUS

495 Ursus Adjustable hinge specific for massive, therefore heavy doors with particularly wide shutters.

Perfect alignment of the hinge, thanks to the three pins on the male part, that maintain in time the original vertical order of the hinge.

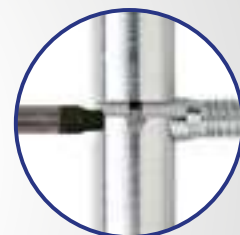
495 Ursus with 5 pins is available in diameter 14, 16 and 18 mm. Ursus hinge  $\varnothing 14$ , which can be used with the female part Exacta 495  $\varnothing 14$ , is normally available in the 6 pins version (3 pins on the female and 3 on the male part). Ursus  $\varnothing 16$  and  $\varnothing 18$  are available, on demand, also in the 6 pins version.



Depth adjustment



Height adjustment



Side adjustment



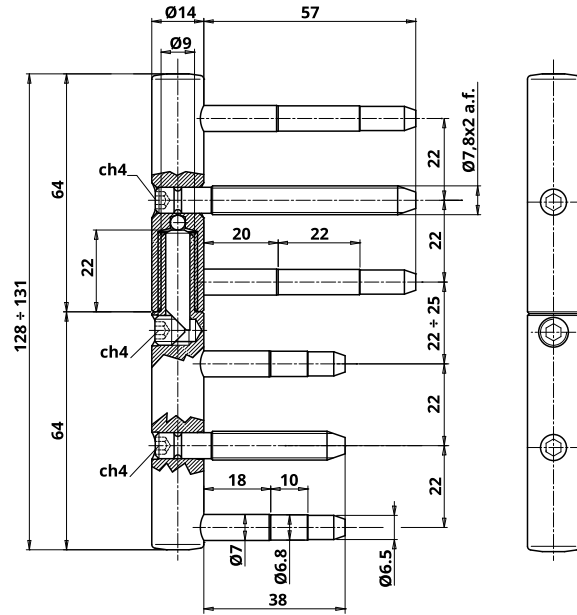
3D adjustable hinge - female 3 pins 7,8x57 mm - male 3 pins 7,8x38 mm - for heavy doors





Super Zinc Plated



3 7 4 1 1 3 0 11



CODE	FINISHING	WEIGHT	Pcs / Box	PRICE PCS.	TOT.
 <b>CF4951408H13</b> Female part	Super Zinc Plated	101,7 gr.	180 4 x 45 (Box x pcs. each)	€ 4,20	€ 8,43
 <b>CG4951408H06</b> Male part	Super Zinc Plated	114 gr.	180 4 x 45 (Box x pcs. each)	€ 4,23	



**838 Ø15**  
Aluminium cap



# URSUS Ø16

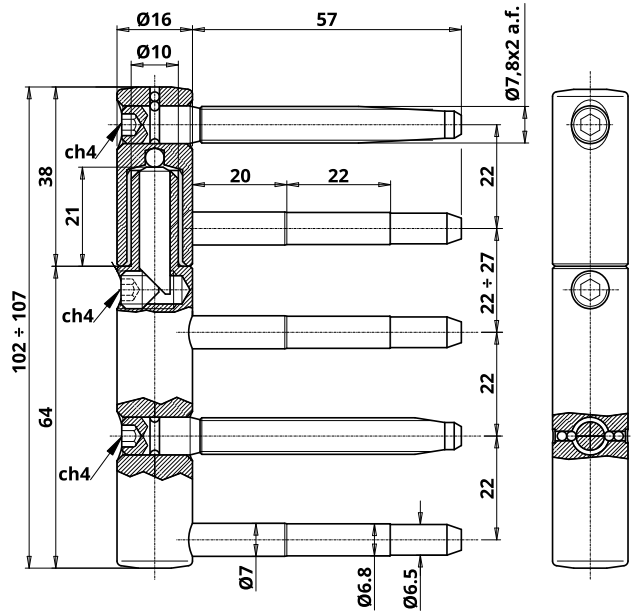
3D adjustable hinge - 5 pins 7,8x57 mm - for heavy doors





Super Zinc Plated



4 7 6 1 1 3 0 13



CODE	FINISHING	WEIGHT	Pcs / Box	PRICE PCS.	TOT.
 <b>CI4951608H02</b> Complete hinge	Super Zinc Plated	228,26 gr.	80 8 x 10 (Box x pcs. each)	€ 8,79	€ 14,87
 <b>CG4951608H02</b> Male part	Super Zinc Plated	156,82 gr.	80 8 x 10 (Box x pcs. each)	€ 6,08	

**TOOLS**  
  
**MC701160G067**  
 Aluminium jig for overlay doors  
 Page 156

**CAPS**  
  
**838 Ø17**  
 Aluminium cap  
 Page 174

Short link  
  
[www.otlav.it](http://www.otlav.it) - URSUS Ø16

# URSUS Ø18

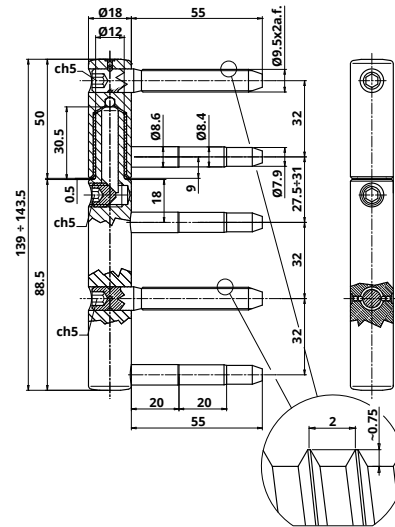
3D adjustable hinge, 5 pins 9,5x55 mm - for heavy doors



Super Zinc Plated



4 7 7 1 1 3 0 14



CODE	FINISHING	WEIGHT	Pcs / Box	PRICE PCS.
<b>CI4951808H02</b> Complete hinge	Super Zinc Plated	362,65 gr.	40 4 x 10 (Box x pcs. each)	€ 11,69

**TOOLS**

**MA701180G008**  
Aluminium jig for overlay doors  
Page 151

**CAPS**

**838 Ø19**  
Aluminium cap  
Page 176

Short link

www.otlav.it - URSUS Ø18

# URSUS Ø18

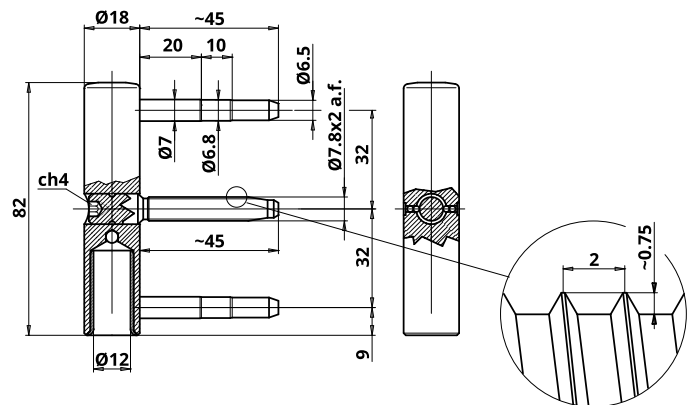
Female part with 3 pins 7,8x45 mm - adjustable - with nylon bush



Super Zinc Plated



4 7 7 1 1 3 0 14



CODE	FINISHING	WEIGHT	Pcs / Box	PRICE PCS.
<b>CF4951808H07</b> Female part	Super Zinc Plated	164,5 gr.	80 4 x 20 (Box x pcs. each)	€ 4,99

**TOOLS**

**MA701180G008**  
Aluminium jig for overlay doors  
Page 151

**CAPS**

**838 Ø19**  
Aluminium cap  
Page 176

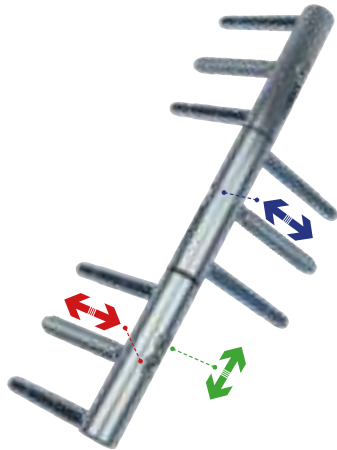
Short link

www.otlav.it - URSUS Ø18

ADJUSTABLE

# URSUS PLUS

**NEW**



## ADJUSTMENTS

- Height
- Side
- Depth



Ursus-Plus is a special **hinge for massive heavy duty doors** with particularly wide shutters.

Ursus-Plus allows perfect alignment of the door, thanks to the three parts and nine pins, that maintain in time the original vertical order of the hinge.

Ursus-Plus guarantees top quality and reliable performance, it has passed 200.000 cycles test for a **capacity of 200 kg**.

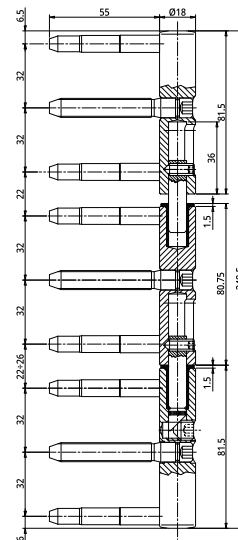
Ursus-Plus is **adjustable on three axes**. The end caps are available in several finishes to provide versatile, elegant and modern design.

**475 Ø18**

3 parts hinge - 3D adjustable - 9 pins - Capacity 200 kg.



Zinc Plated 12µ



CODE	FINISHING	WEIGHT	Pcs / Box	PRICE PCS.
<b>C1475180H502</b> Complete hinge	Zinc Plated 12µ	650 gr.	12 2 x 6 (Box x pcs. Each*)	On request

Short link



www.otlav.it - 475 Ø180

Hinges for  
**METAL** profiles

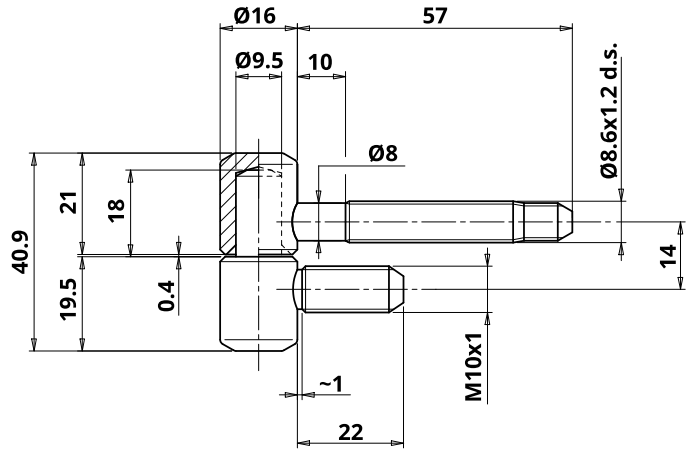




## 031 Ø16

3D adjustable hinge - female pins 8,6x57 mm - male pins M10x22 mm



Zinc Plated



CODE	FINISHING	WEIGHT	Pcs / Box	PRICE PCS.	Tot.
 <b>CF031160H006</b> Female part	Zinc Plated	42,95 gr.	320 4 x 80 (Box x pcs. each)	€ 0,495	€ 1,11
 <b>CG031160H006</b> Male part	Zinc Plated	50,87 gr.	390 1 x 390 (Box x pcs. each)	€ 0,615	

Short link



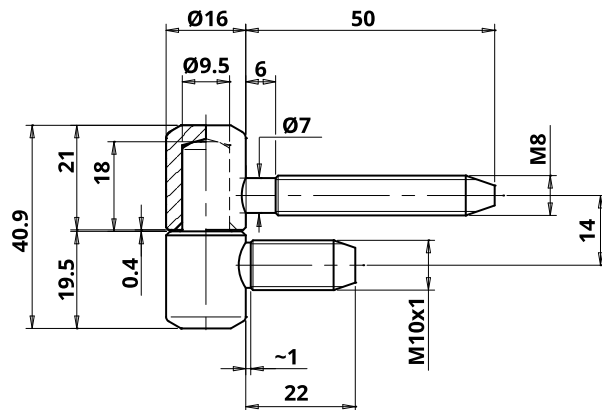
www.otlav.it - 031 Ø16



## 031 Ø16

3D adjustable hinge - female pins M8x50 mm - male pins M10x22 mm



Nickel Plated



CODE	FINISHING	WEIGHT	Pcs / Box	PRICE PCS.	Tot.
 <b>CF031160N006</b> Female part	Nickel Plated	37,7 gr.	320 4 x 80 (Box x pcs. each)	€ 0,59	€ 1,351
 <b>CG031160N002</b> Male part	Nickel Plated	51,08 gr.	320 4 x 80 (Box x pcs. each)	€ 0,761	

Short link



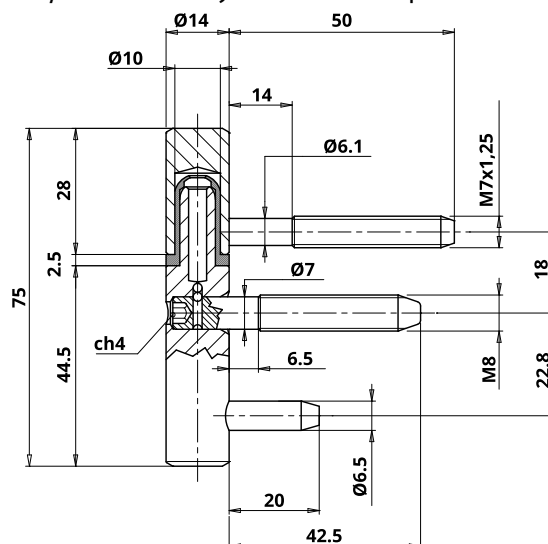
www.otlav.it - 031 Ø16


**095 Ø14**

Complete hinge, female part with nylon bush, adjustable male part with 2 pins



Static Nickel Plated



CODE	FINISHING	WEIGHT	Pcs / Box	PRICE PCS.
 <b>CI095140N106</b> Complete hinge	Static Nickel Plated	105,35 gr.	180 18 x 10(Box x pcs. each)	€ 2,92

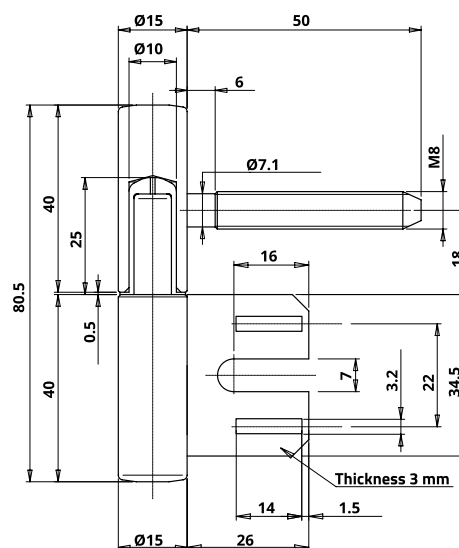
Short link





www.otlav.it - 095 Ø14

**102 Ø15**

Nickel Plated



CODE	FINISHING	WEIGHT	Pcs / Box	PRICE PCS.	Tot.
 <b>CF100150N007</b> Female part	Nickel Plated	52,04 gr.	300 1 x 300(Box x pcs. each)	€ 0,621	€ 2,07
 <b>CG102150N003</b> Male part with plate	Nickel Plated	56,73 gr.	250 1 x 250(Box x pcs. each)	€ 1,449	

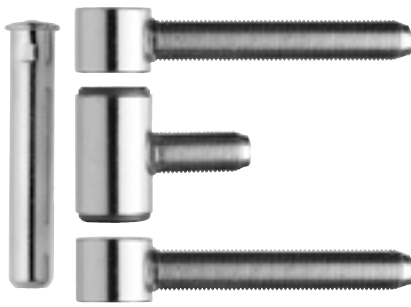
Short link



www.otlav.it - 102 Ø15

# 320 Ø18

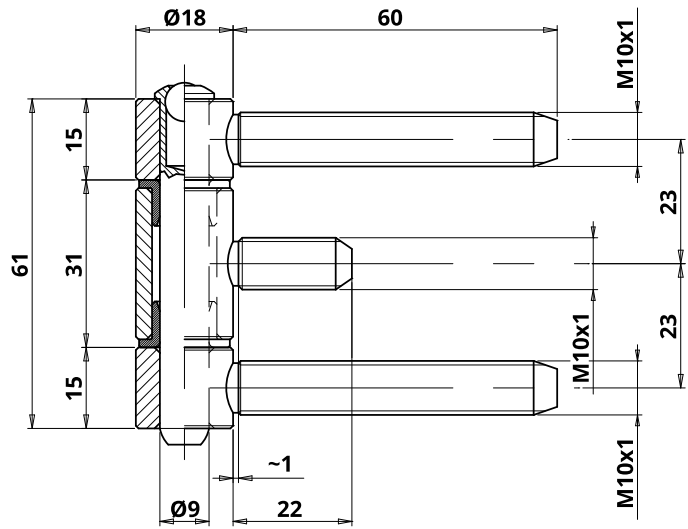
3 bushes hinge - lateral pins M10x60 mm - central pin M10x22 mm






Nickel Plated



3 7 4 1 1 1 0 11



CODE	FINISHING	WEIGHT	Pcs / Box	PRICE PCS.
 <b>CE015180N026</b> External bush for art. 320 Ø18	Nickel Plated	53,06 gr.	360 4 x 90 (Box x pcs. each)	On request
 <b>CE031180N005</b> Central bush with nylon ring for art. 320 Ø18	Nickel Plated	42,26 gr.	480 4 x 120 (Box x pcs. each)	On request
 <b>FP069090N003</b> Pivot for 320 Ø18	Nickel Plated	31,58 gr.	640 4 x 160 (Box x pcs. each)	€ 0,395

Short link

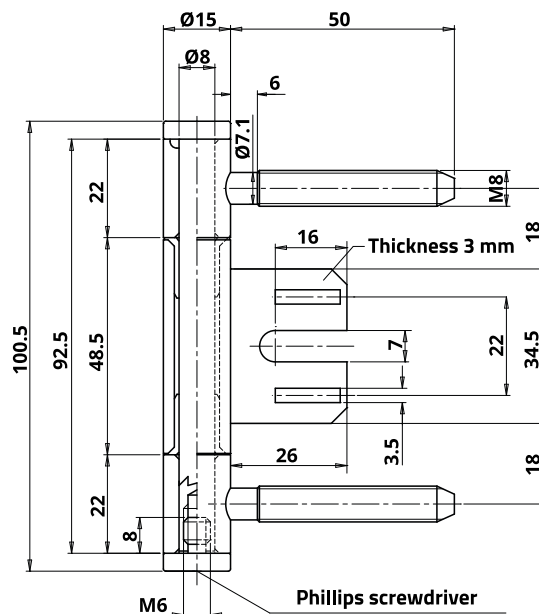








www.otlav.it - 320 Ø18





2 7 3 1 1 1 0 10



CODE	FINISHING	WEIGHT	Pcs / Box	PRICE PCS.
 <b>CI335150N029</b> Complete hinge	Nickel Plated	154,08 gr.	100 4 x 25 (Box x pcs. each)	€ 3,37
 <b>CI335150N017</b> External bushes with pivot and head for art. 335 Ø15	Nickel Plated	114,4 gr.	160 4 x 40 (Box x pcs. each)	€ 2,258
 <b>CE022146N002</b> External bush with 50 mm pin for art. 335 Ø15	Nickel Plated	35,63 gr.	400 1 x 400 (Box x pcs. each)	€ 0,564
 <b>CE047146N008</b> Central bush with plate and nylon ring for art. 335 Ø15	Nickel Plated	49,2 gr.	300 1 x 300 (Box x pcs. each)	€ 1,204
 <b>FP096080N004</b> Pivot for 335 Ø15	Nickel Plated	38,6 gr.	400 1 x 400 (Box x pcs. each)	€ 0,895
 <b>TE012150N005</b> Head for art. 335 Ø15	Nickel Plated	6,6 gr.	3200 8 x 400 (Box x pcs. each)	€ 0,134

Short link



www.otlav.it - 335 Ø15

# EXACTA Ø16

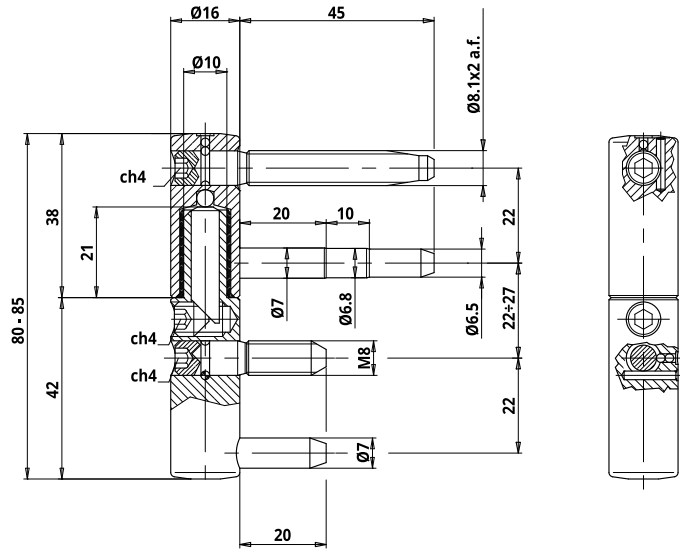
3D adjustable hinge - female pins 8,1x45 mm - male pins M8x20 mm - ANTI-UNTHREADING





Zinc Plated 12 $\mu$



4 7 5 1 1 2 0 12



CODE	FINISHING	WEIGHT	Pcs / Box	PRICE PCS.
 <b>CF495160H514</b> Female part	Zinc Plated 12 $\mu$	64,44 gr.	200 4 x 50 (Box x pcs. each)	On request
 <b>CG495160H541</b> Male part	Zinc Plated 12 $\mu$	82,84 gr.	200 1 x 200 (Box x pcs. each)	On request

Short link



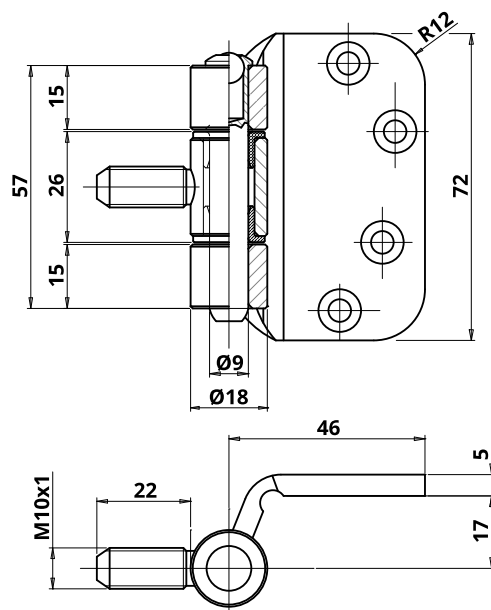
www.otlav.it - EXACTA Ø16




**750 Ø18**

3 bushes hinge - central pin M10x22 mm - plate H 72 mm



Zinc Plated



CODE	FINISHING	WEIGHT	Pcs / Box	PRICE PCS.	TOT.
 <b>CE026180H002</b> Central bush with nylon ring for art. 750 Ø18	Zinc Plated	34,05 gr.	400 4 x 100 (Box x pcs. each)	€ 1,859	
 <b>CG750180H008</b> External bush with plate for art. 750 Ø18	Zinc Plated	157 gr.	100 1 x 100 (Box x pcs. each)	€ 3,67	€ 5,969
 <b>FP062090H005</b> Pivot for 750 Ø18	Zinc Plated	27,66 gr.	800 8 x 100 (Box x pcs. each)	€ 0,44	

Short link

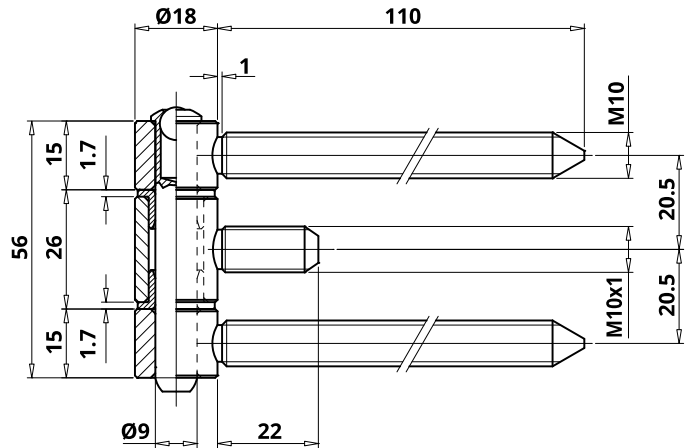
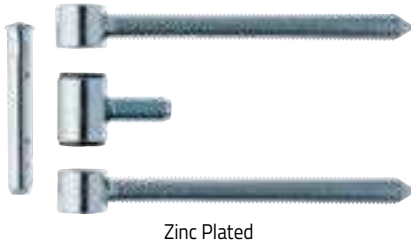





www.otlav.it - 750 Ø18

METAL | 131

## 750 Ø18

3 bushes hinge - lateral pins M10x110 mm - central pin M10x22 mm



CODE	FINISHING	WEIGHT	Pcs / Box	PRICE PCS.	TOT.
 <b>CE015180H021</b> External bush for art. 750 Ø18	Zinc Plated	71,3 gr.	200 1 x 200 (Box x pcs. each)	€ 1,724	
 <b>CE026180H002</b> Central bush with nylon ring for art. 750 Ø18	Zinc Plated	34,05 gr.	400 4 x 100 (Box x pcs. each)	€ 1,859	€ 4,023
 <b>FP062090H005</b> Pivot for 750 Ø18	Zinc Plated	27,66 gr.	800 8 x 100 (Box x pcs. each)	€ 0,44	

Short link



www.otlav.it - 750 Ø18

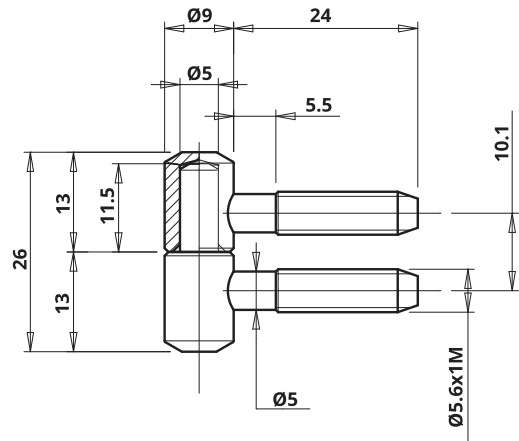






Hinges for  
**FURNITURE**

## 530 Ø9



Brass Plated



CODE	FINISHING	WEIGHT	Pcs / Box	PRICE PCS.	TOT.
 <b>CF530090H008</b> Female part	Zinc Plated	7,63 gr.	1600 4 x 400 (Box x pcs. each)	€ 0,153	€ 0,34
 <b>CG530090H008</b> Male part	Zinc Plated	11,29 gr.	1600 4 x 400 (Box x pcs. each)	€ 0,187	
 <b>CF5300900004</b> Female part	Brass Plated	7,53 gr.	1600 4 x 400 (Box x pcs. each)	€ 0,174	€ 0,385
 <b>CG5300900006</b> Male part	Brass Plated	11,21 gr.	1600 4 x 400 (Box x pcs. each)	€ 0,211	

TOOLS



**MA701090G002**  
Wood toolkit for  
overlay doors  
Page 149



**MC701090G002**  
Wooden jig for  
overlay doors  
Page 154

Short link

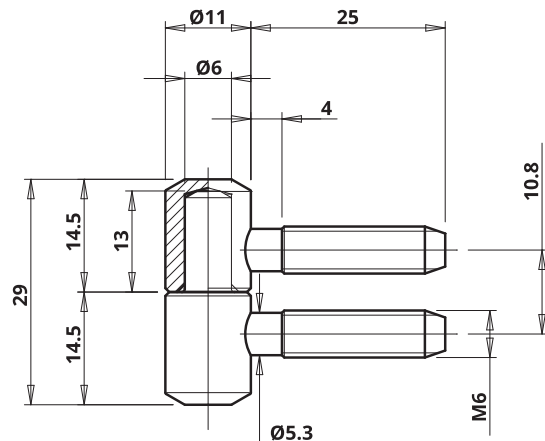




www.otlav.it - 530 Ø9

## 530 Ø11



Zinc Plated



CODE	FINISHING	WEIGHT	Pcs / Box	PRICE PCS.
 <b>CF530110H006</b> Female part	Zinc Plated	11,03 gr.	1200 4 x 300 (Box x pcs. each)	On request
 <b>CG530110H004</b> Male part	Zinc Plated	16,87 gr.	1200 4 x 300 (Box x pcs. each)	On request

TOOLS



**MA701110G002**  
Wood toolkit for  
overlay doors  
Page 149

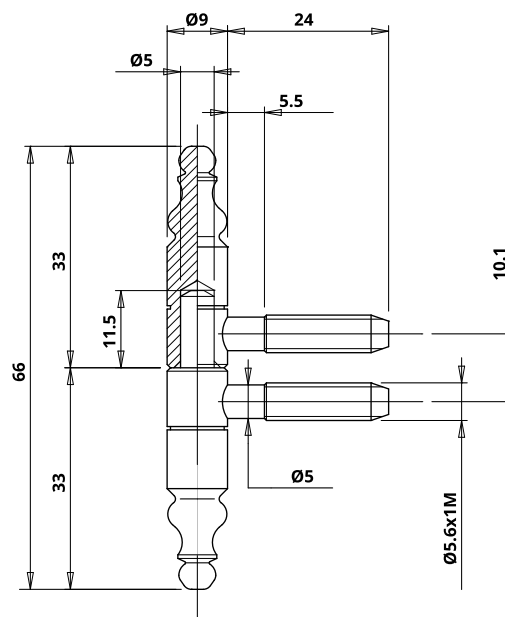
Short link









www.otlav.it - 530 Ø11



Brass Plated



CODE	FINISHING	WEIGHT	Pcs / Box	PRICE PCS.
 <b>CF605090BN08</b> Female part	Bronze Plated	14,06 gr.	1200 8 x 150 (Box x pcs. each)	On request
 <b>CG605090BN14</b> Male part	Bronze Plated	17,89 gr.	1200 8 x 150 (Box x pcs. each)	On request
 <b>CI605090BN10</b> Complete hinge	Bronze Plated	31,17 gr.	640 8 x 80 (Box x pcs. each)	On request
 <b>CF6050900006</b> Female part	Brass Plated	14,06 gr.	1200 8 x 150 (Box x pcs. each)	On request
 <b>CG6050900008</b> Male part	Brass Plated	17,89 gr.	1200 8 x 150 (Box x pcs. each)	On request
 <b>CI605090B104</b> Complete hinge	Special Bronze Plated	31,17 gr.	640 4 x 160 (Box x pcs. each)	On request

## Tools



**MA701090G002**  
Wood toolkit for  
overlay doors  
Page 149



**MC701090G002**  
Wooden jig for  
overlay doors  
Page 154

Short link

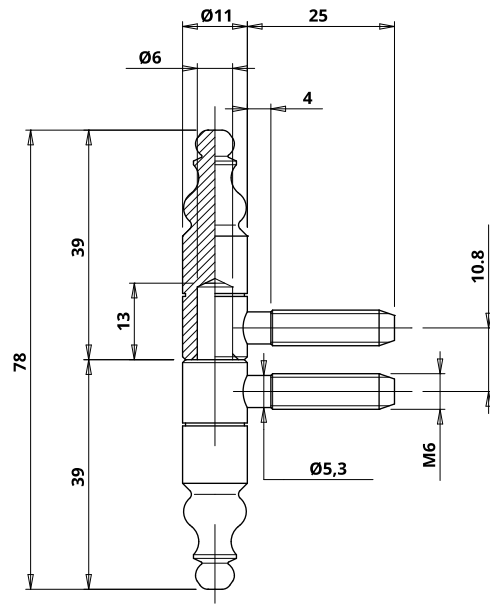






www.otlav.it - 605 Ø9

# 605 Ø11




Bronze Plated



CODE	FINISHING	WEIGHT	Pcs / Box	PRICE PCS.	TOT.
 <b>CF605110BN03</b> Female part	Bronze Plated	21,17 gr.	680 4 x 170 (Box x pcs. each)	€ 0,325	€ 0,725
 <b>CG605110BN03</b> Male part	Bronze Plated	29,19 gr.	680 4 x 170 (Box x pcs. each)	€ 0,40	
 <b>CF6051100003</b> Female part	Brass Plated	20,18 gr.	680 4 x 170 (Box x pcs. each)	€ 0,362	€ 0,782
 <b>CG6051100003</b> Male part	Brass Plated	29,19 gr.	680 4 x 170 (Box x pcs. each)	€ 0,42	

**TOOLS**



**MA701110G002**  
Wood toolkit for  
overlay doors  
Page 149

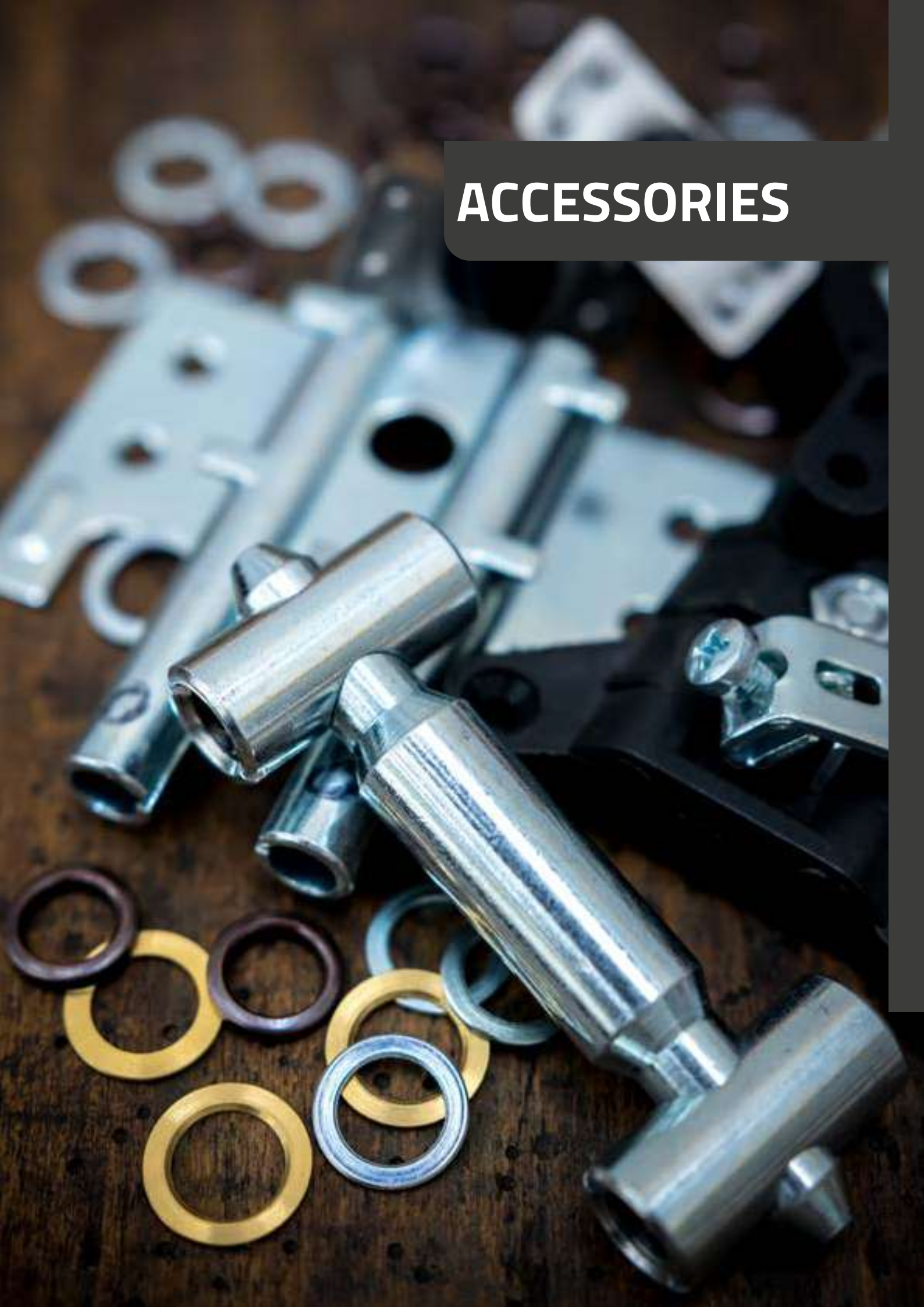
Short link



www.otlav.it - 605 Ø11



# ACCESSORIES

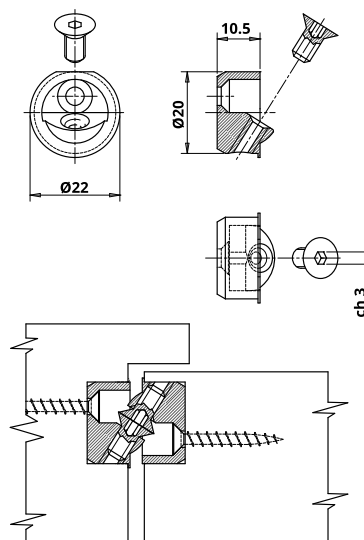


## AI S98

Door alignment device



Satinized Silver



CODE	FINISHING	WEIGHT	Pcs / Box	PRICE PCS.
 AIS98200V702	Satinized Silver	29,4 gr.	1280 8 x 160 (Box x pcs. each)	€ 1,836

Short link



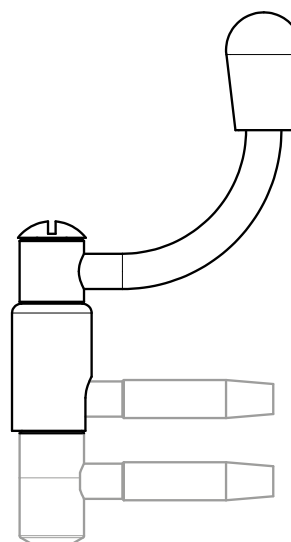
www.otlav.it - AI S98


## CERNIPANNI

Hanger cap



Zinc Plated



CODE	FINISHING	WEIGHT	Pcs / Box	PRICE PCS.
 CNGIA140H003	Zinc Plated	70,7 gr.	32 4 x 8 (Box x pcs. each)	€ 11,14

Short link



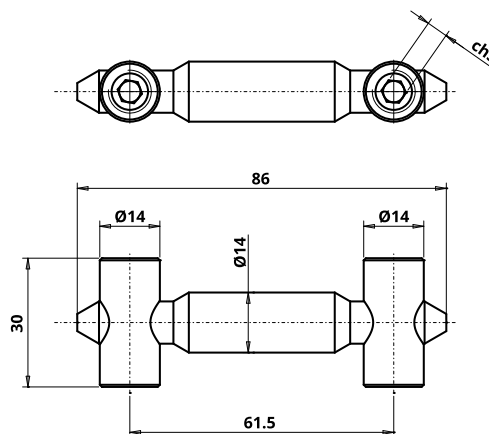
www.otlav.it - CERNIPANNI


## JR 512

Door angle connector



Zinc Plated



CODE	FINISHING	WEIGHT	Pcs / Box	PRICE PCS.
 <b>JR512140H104</b>	Zinc Plated	122,1 gr.	160 4 x 40 (Box x pcs. each)	€ 5,41

Short link



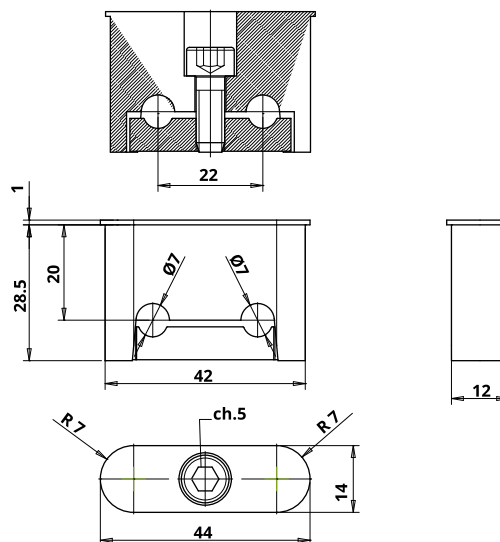
www.otlav.it - JR 512


## JR 513

Zamak fixing plate for art. CG100, CG101 and CI335



Zinc Plated



CODE	FINISHING	WEIGHT	Pcs / Box	PRICE PCS.
 <b>JR513200H002</b>	Zinc Plated	72,8 gr.	280 4 x 70 (Box x pcs. each)	On request

Short link



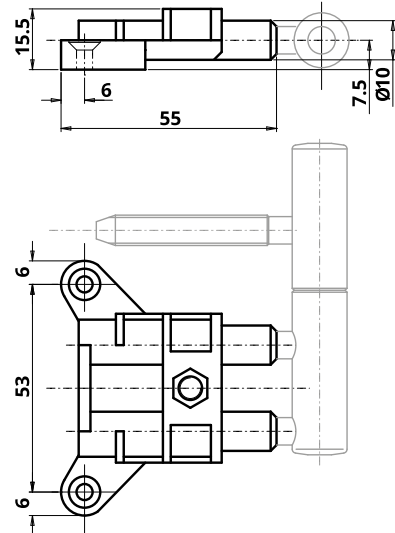
www.otlav.it - JR 513


## JR 519

Resin fixing plate for art. CG100, CG101 and CI335



Black Nylon



CODE	FINISHING	WEIGHT	Pcs / Box	PRICE PCS.
 <b>JR519070Y204</b>	Black Nylon	23,41 gr.	200 1 x 200(Box x pcs. each)	€ 0,946

Short link



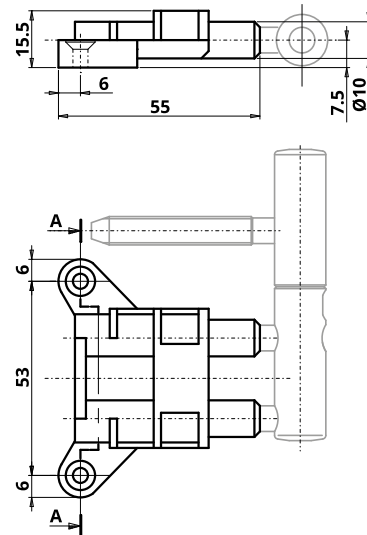
www.otlav.it - JR 519

## JR 519

Resin fixing plate for art. 491 Ø14



Black Nylon



CODE	FINISHING	WEIGHT	Pcs / Box	PRICE PCS.
 <b>JR519070Y206</b>	Black Nylon	14,71 gr.	200 1 x 200(Box x pcs. each)	€ 0,994

Short link



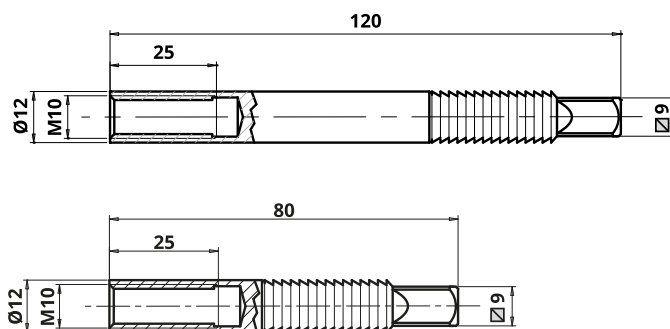
www.otlav.it - JR 519

## JR 520

Metal pocket for pin



Zinc Plated



CODE	FINISHING	WEIGHT	Pcs / Box	PRICE PCS.	TOT.
<b>JR520M10H002</b> Metal pocket for pin M10x80 mm	Zinc Plated	45 gr.	400 4 x 100 (Box x pcs. each)	€ 0,948	€ 2,437
<b>JR520M10H004</b> Metal pocket for pin M10x120 mm	Zinc Plated	79 gr.	240 4 x 60 (Box x pcs. each)	€ 1,489	€ 2,437

Short link



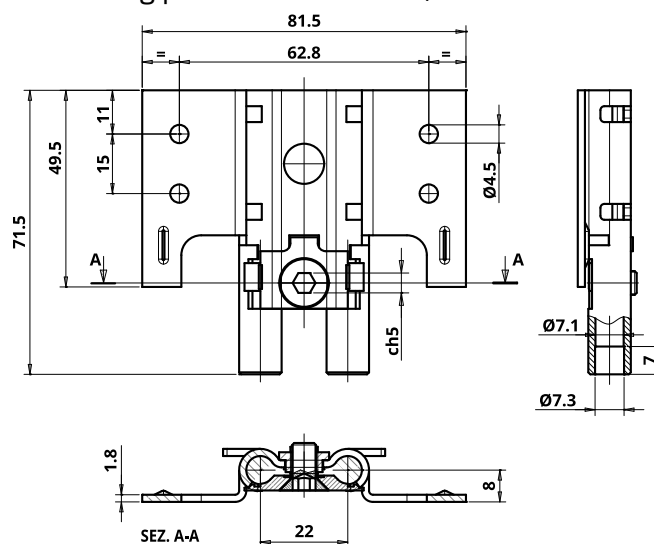
www.otlav.it - JR 520

## JR 521

Metal fixing plate for art. CG100, CG101 and CI335



Zinc Plated



CODE	FINISHING	WEIGHT	Pcs / Box	PRICE PCS.
<b>JR521080H005</b>	Zinc Plated	89 gr.	100 1 x 100 (Box x pcs. each)	€ 2,348

Short link



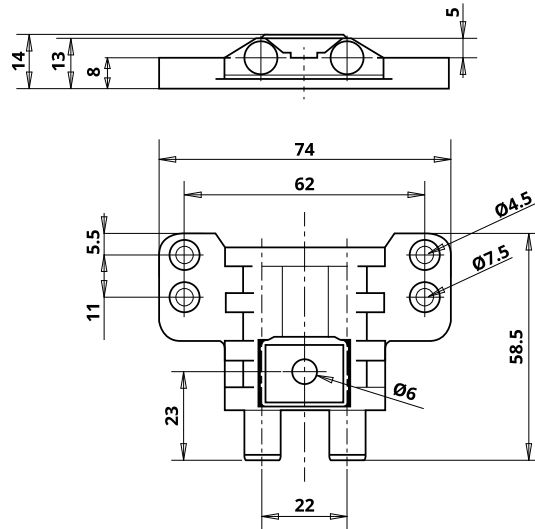
www.otlav.it - JR 521


## JR 523

Nylon fixing plate for art. CG100, CG101 and CI335



Black Nylon



CODE	FINISHING	WEIGHT	Pcs / Box	PRICE PCS.
 JR523070Y202	Black Nylon	30 gr.	125 1 x 125 (Box x pcs. each)	€ 1,14

Short link



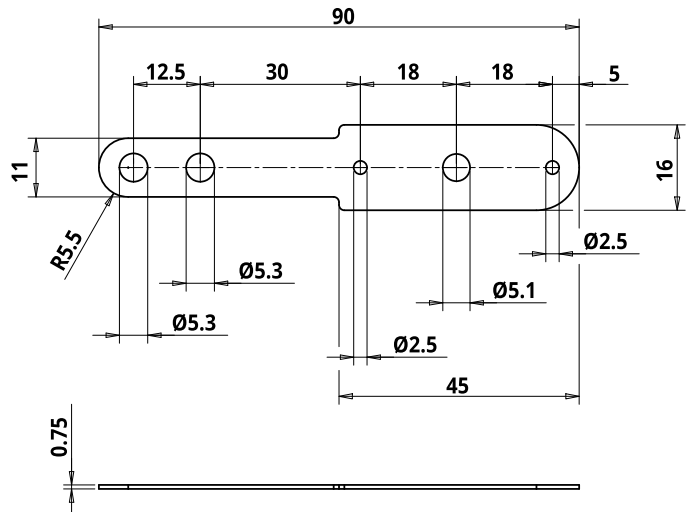
www.otlav.it - JR 523


## PP 0070

Shim for BIXACTA



White



CODE	FINISHING	WEIGHT	Pcs / Box	PRICE PCS.
 PP007090Y302	White Nylon (RAL 9010)	1,32 gr.	1 (Unpacked)	On request

Short link



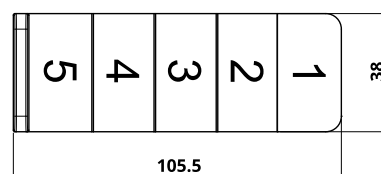
www.otlav.it - PP 0070


## PP 105

Wedge with 5 spacers (1-2-3-4-5 mm)



Black Nylon



CODE	FINISHING	WEIGHT	Pcs / Box	PRICE PCS.
 <b>PP105050Y202</b>	Black Nylon	14 gr.	1 (Unpacked)	€ 0,58

Short link



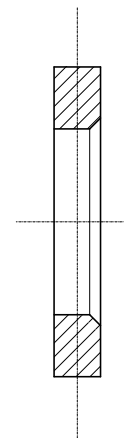
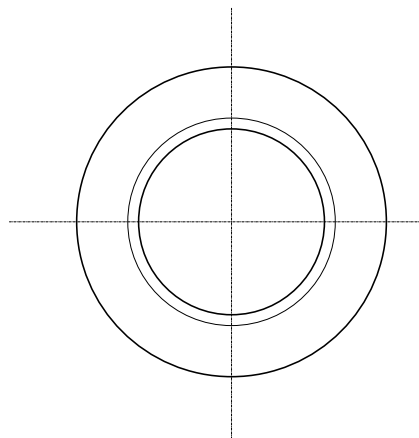
www.otlav.it - PP 105






## RO 720

Washers



Natural



CODE	FINISHING	WEIGHT	Pcs / Box	PRICE PCS.
 <b>RO720130G004</b> Raw brass washer, thickness 1 mm, for hinge Ø13	Natural	0,48 gr.	1 (Unpacked)	€ 0,226
 <b>RO720130G008</b> Raw brass washer, thickness 2 mm, for hinge Ø13	Natural	0,96 gr.	1 (Unpacked)	€ 0,255
 <b>RO720130PI02</b> Plastified brass washer, thickness 1 mm, for hinge Ø13	White (RAL 9016)	0,48 gr.	1 (Unpacked)	On request
 <b>RO720140G004</b> Raw brass washer, thickness 1 mm, for hinge Ø14	Natural	0,58 gr.	1 (Unpacked)	€ 0,273
 <b>RO720160G004</b> Raw brass washer, thickness 1 mm, for hinge Ø16	Natural	0,92 gr.	1 (Unpacked)	€ 0,537

Short link



www.otlav.it - RO 720

# SALVADITA

It is a patented safety device.

It provides protection against violent closing of doors which can cause serious damages and impairments. Situations that can be particularly dangerous when children are involved with their fragile hands. When a door is slammed SALVADITA system intervenes and blocks the door just before it completely closes. In fact **the system is activated only when a door is closed so violently that it can cause physical damage to a hand which remains trapped between the door and door frame.** If, on the contrary, the door moves at an ordinary speed, the SalvaDita device returns in its seat and it allows the door to close normally.

Otlav SalvaDita has been subjected to very comprehensive tests for durability and reliability (IHD Institute for Wood Technology Dresden).

## DOORS ALWAYS SAFE EVERYWHERE

Schools, nursery schools, homes. These are all places where we live and where accidents are lying in wait. Places where a door may become a cause of injuries.

**The Royal Society for the Prevention of Accidents (RoSPA) reported that in UK every year 30,000 children trap their fingers in doors, with more than 1,500 of these needing surgery and one in six resulting in amputation.**

In Germany, the National Fund for Accidents, in accordance with the regulation on safety and health protection in nursery schools (GUV-SI 8045, München 2004) **estimated that about 5.7% of the injuries in kindergartens concern the crushing of the fingers in the doors,** not a negligible percentage, given the severity of the consequences, even chronic, that accidents of this kind may have.

Otlav has developed the SalvaDita system, a protection for fingers. It is an ingenious solution which allows us to live in peace within our surroundings.

When a door is slammed the SalvaDita system intervenes and blocks the door closing.

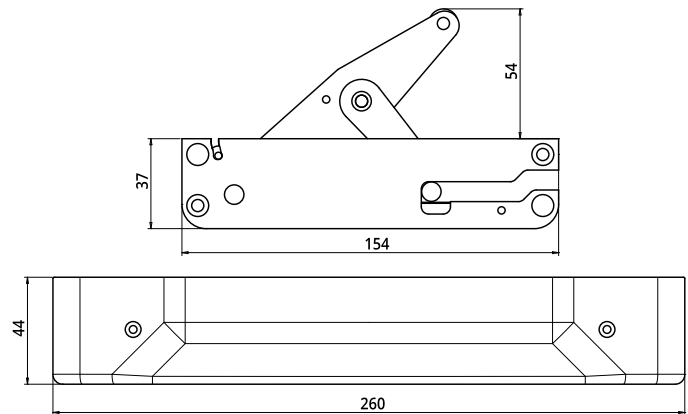
**No more injured fingers.**







Satinized Silver



CODE	FINISHING	WEIGHT	Pcs / Box	PRICE PCS.
 <b>SD040155V702</b>	Satinized Silver	810 gr.	1 1 x 1 (Box)	On request



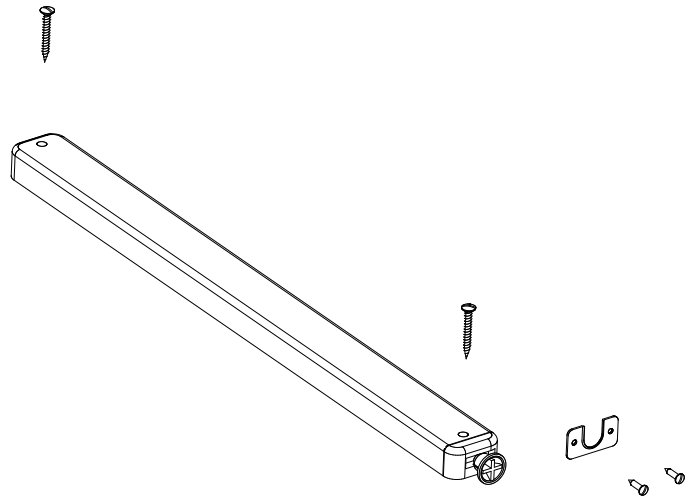
www.otlav.it - SD 040



## TP 990

Door closer



White



CODE	FINISHING	WEIGHT	Pcs / Box	PRICE PCS.
 TP990400P002	Brown	300 gr.	1 1 x 1 (Unpacked)	€ 58,60
 TP990400P302	White (RAL 9010)	300 gr.	1 1 x 1 (Unpacked)	€ 58,60

Short link



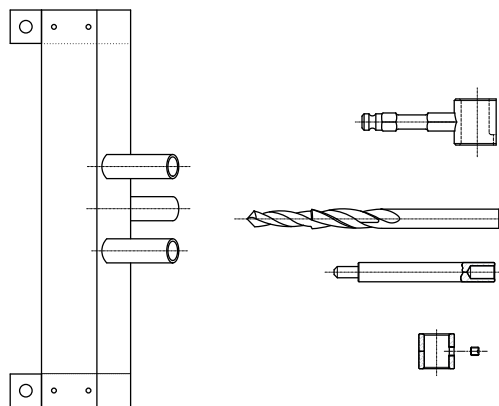
www.otlav.it - TP 990

# TOOLS



## MA 700

Wood toolkit for flush doors with accessories



CODE	WEIGHT	Pcs / Box	PRICE PCS.
<b>MA700140G002</b> For 355 Ø14, 030 Ø14, 055 Ø14, 057 Ø14, 190 Ø14 and 300 Ø14 hinges	613 gr.	1	€ 85,20

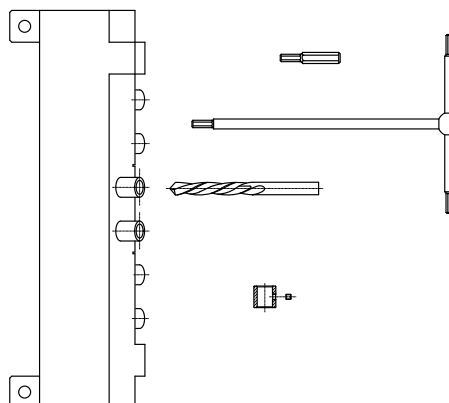
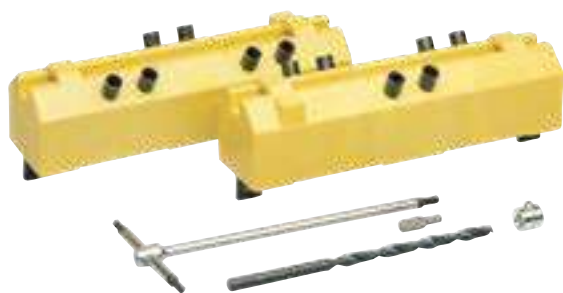
Short link



www.otlav.it - MA 700

## MA 700

PVC toolkit for flush doors with accessories



CODE	WEIGHT	Pcs / Box	PRICE PCS.
<b>MA700160G006</b> For EXACTA Ø14 and Ø16	603 gr.	1	€ 129,10

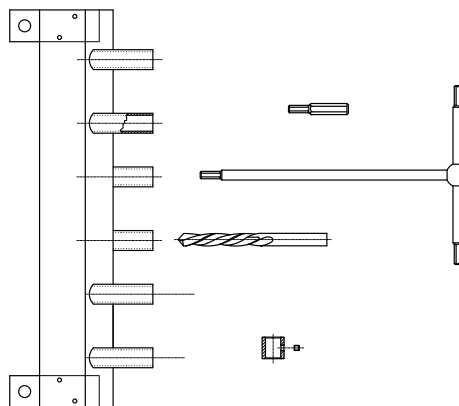
Short link



www.otlav.it - MA 700

## MA 700

Wood toolkit for flush doors with accessories



CODE	WEIGHT	Pcs / Box	PRICE PCS.
<b>MA700200G010</b> For EXACTA Ø20	773 gr.	1	€ 186,50

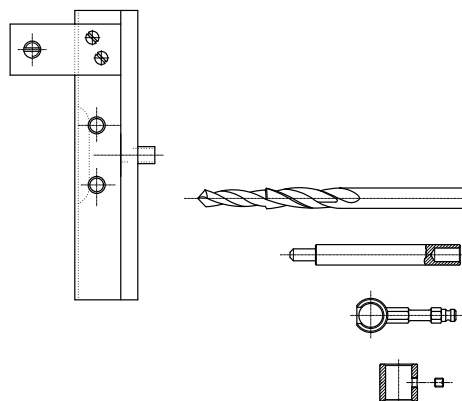
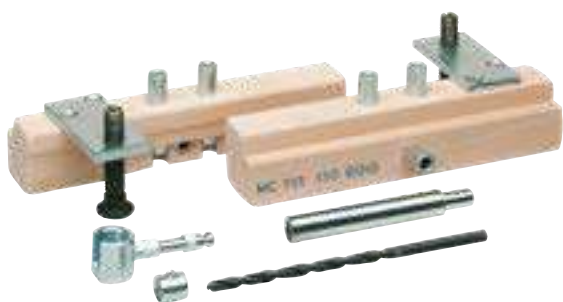
Short link



www.otlav.it - MA 700

## MA 701

Wood toolkit for overlay doors with accessories



CODE	WEIGHT	Pcs / Box	PRICE PCS.
<b>MA701090G002</b> For Ø9 hinges	553 gr.	1	€ 92,90
<b>MA701110G002</b> For Ø11 hinges	553 gr.	1	€ 107,00

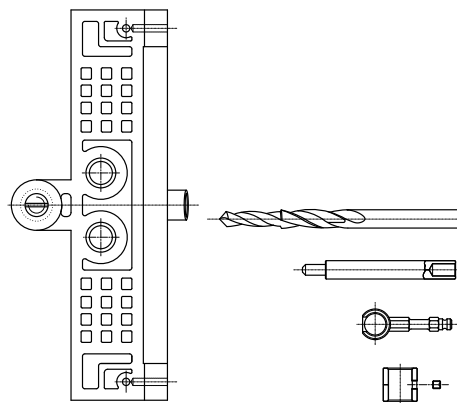
Short link



www.otlav.it - MA 701

## MA 701

PVC toolkit for overlay doors with accessories



CODE	WEIGHT	Pcs / Box	PRICE PCS.
<b>MA701130G018</b> For 355 Ø13, 030 Ø13, 055 Ø13, 057 Ø13, 070 Ø13, 075 Ø13, 080 Ø13, 085 Ø13, 190 Ø13, 210 Ø13 and 300 Ø13 hinges	453 gr.	1	€ 90,40
<b>MA701140G011</b> For 355 Ø14, 030 Ø14, 055 Ø14, 057 Ø14, 190 Ø14 and 300 Ø14 hinges	563 gr.	1	€ 97,60

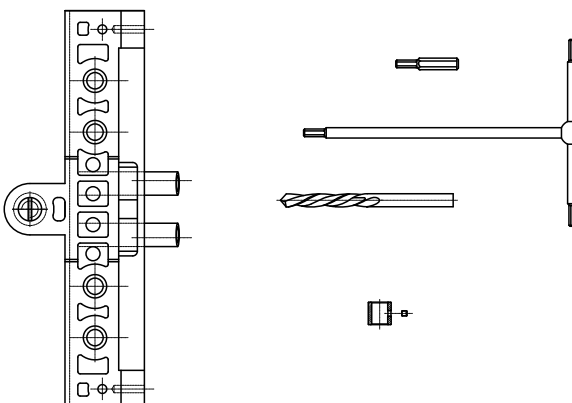
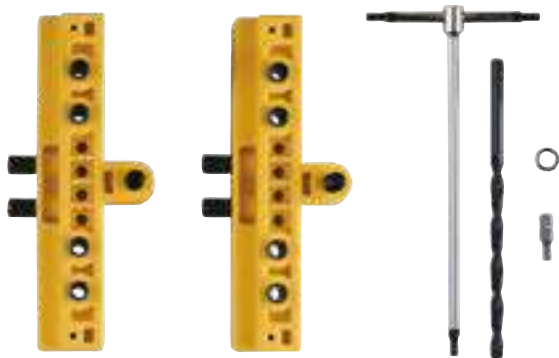
Short link



www.otlav.it - MA 701

## MA 701

PVC toolkit for overlay doors with accessories



CODE	WEIGHT	Pcs / Box	PRICE PCS.
<b>MA701160G035</b> For EXACTA Ø14 and Ø16	513 gr.	1	€ 129,10
<b>MA701200G014</b> For EXACTA Ø20	723 gr.	1	€ 200,80

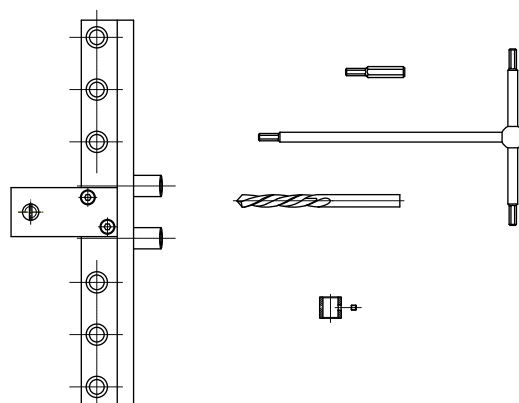
Short link



www.otlav.it - MA 701

## MA 701

Aluminium jig for overlay doors with accessories



CODE	WEIGHT	Pcs / Box	PRICE PCS.
<b>MA701180G008</b> For URSUS Ø18	943 gr.	1	€ 279,70

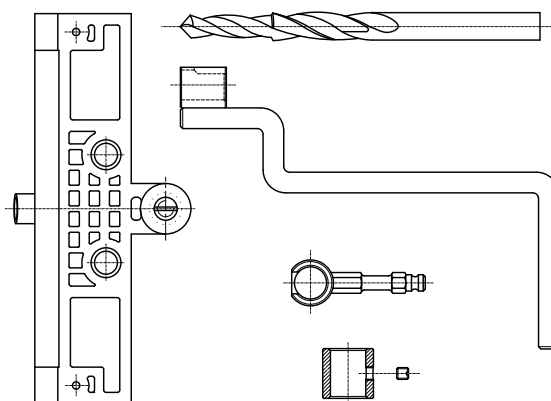
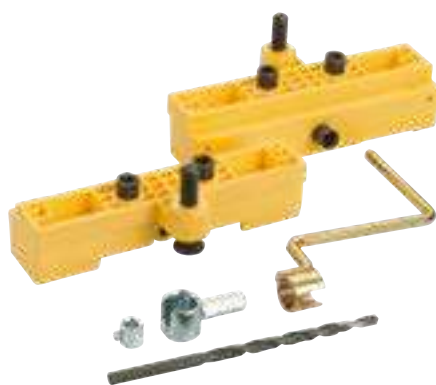
Short link



www.otlav.it - MA 701

## MA 701

PVC toolkit for overlay doors with accessories



CODE	WEIGHT	Pcs / Box	PRICE PCS.
<b>MA701200G019</b> For 320 Ø20 hinges	653 gr.	1	€ 157,80

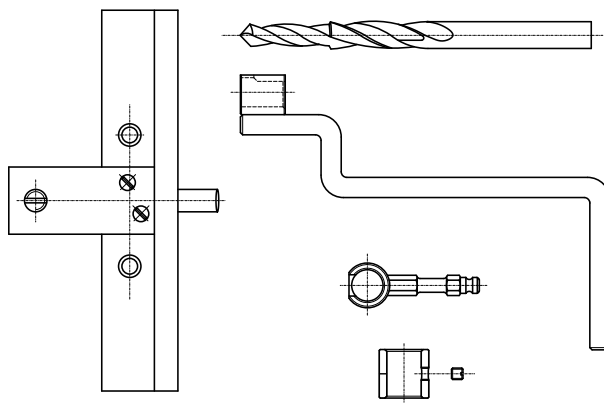
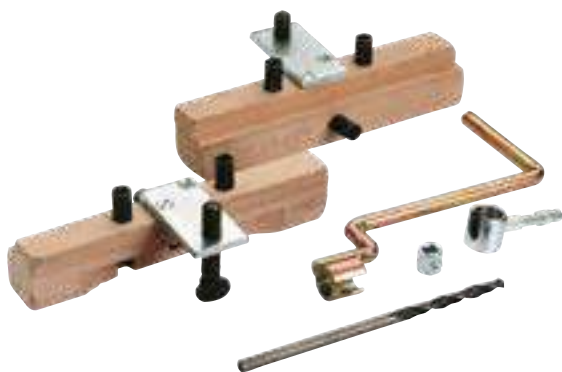
Short link



www.otlav.it - MA 701

## MA 701

Wood toolkit for overlay doors with accessories



CODE	WEIGHT	Pcs / Box	PRICE PCS.
<b>MA701150G002</b> For 320 Ø15 hinges	770 gr.	1	On request

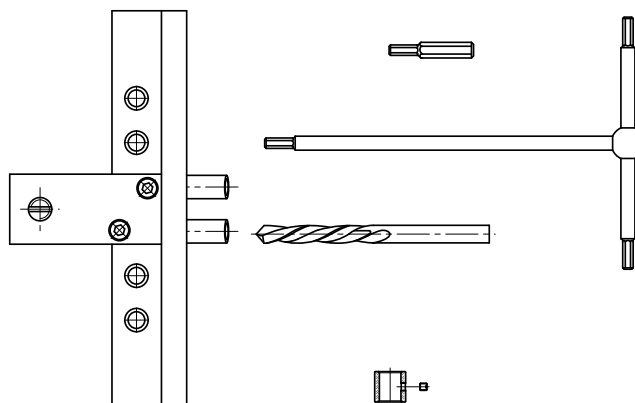
Short link



www.otlav.it - MA 701

## MA 701

Aluminium toolkit for overlay doors with accessories



CODE	WEIGHT	Pcs / Box	PRICE PCS.
<b>MA701130G024</b> For EXACTA Ø13	513 gr.	1	€ 391,40

Short link

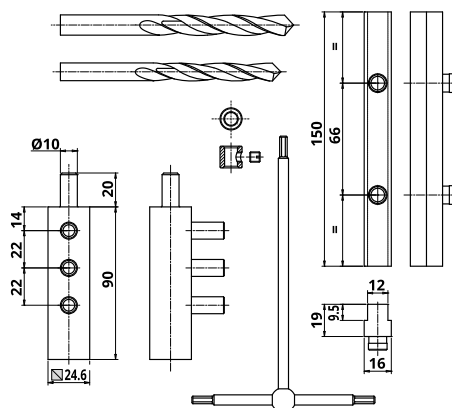


www.otlav.it - MA 701



## MA 701

Aluminium toolkit for overlay doors with accessories



CODE

**MA701483G002**

For MIXACTA Ø16 - female 483 Ø16 - male URSUS

WEIGHT

427,1 gr.

Pcs / Box

1

PRICE PCS.

On request

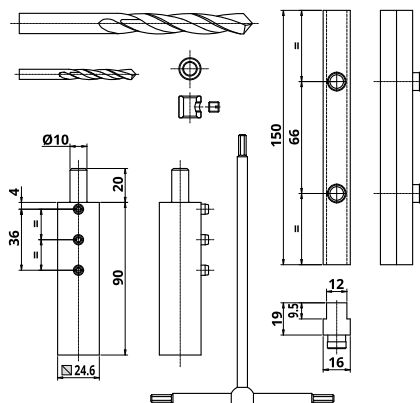
Short link



www.otlav.it - MA 701

## MA 703

Aluminium toolkit for overlay doors with accessories



CODE

**MA703483G002**

For BIXACTA, male with pegs Ø2,5

WEIGHT

427,1 gr.

Pcs / Box

1

PRICE PCS.

€ 240,40

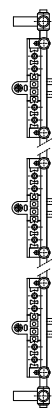
Short link



www.otlav.it - MA 703

## MA 801

Rod L. 240 cm with 3 PVC jigs code MC701160G035



CODE	WEIGHT	Pcs / Box	PRICE PCS.
<b>MA801160G028</b> For EXACTA Ø14, Ø16 and 488 Ø16	1.530 gr.	1	€ 253,30

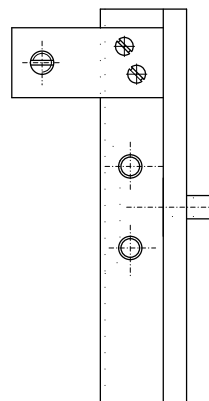
Short link



www.otlav.it - MA 801

## MC 701

Wooden jig for overlay doors



CODE	WEIGHT	Pcs / Box	PRICE PCS.
<b>MC701090G002</b> For Ø9 hinges	230 gr.	1	€ 37,50

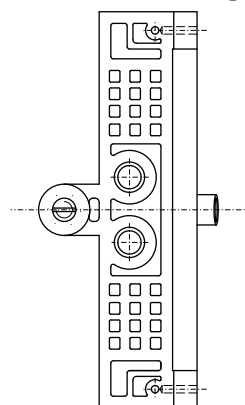
Short link



www.otlav.it - MC 701

## MC 701

PVC jig for overlay doors



CODE	WEIGHT	Pcs / Box	PRICE PCS.
<b>MC701130G060</b> For 355 Ø13, 030 Ø13, 055 Ø13, 057 Ø13, 070 Ø13, 075 Ø13, 080 Ø13, 085 Ø13, 190 Ø13, 210 Ø13 and 300 Ø13 hinges	180 gr.	1	€ 31,60
<b>MC701140G060</b> For 355 Ø14, 030 Ø14, 055 Ø14, 057 Ø14, 190 Ø14 and 300 Ø14 hinges	220 gr.	1	€ 32,80
<b>MC701160G032</b> For 320 Ø16 hinges	230 gr.	1	€ 34,50
<b>MC701160G060</b> For 030 Ø16, 055 Ø16 and 190 Ø16 hinges	230 gr.	1	€ 35,90
<b>MC701200G032</b> For 320 Ø20 hinges	200 gr.	1	€ 37,30

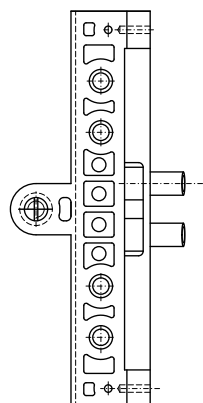
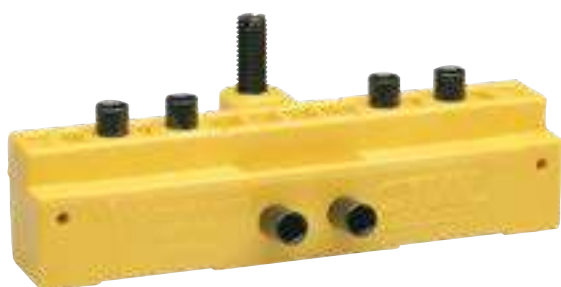
Short link



www.otlav.it - MC 701

## MC 701

PVC jig for overlay doors



CODE	WEIGHT	Pcs / Box	PRICE PCS.
<b>MC701160G035</b> For EXACTA Ø14 and Ø16	220 gr.	1	€ 35,90
<b>MC701200G009</b> For EXACTA Ø20	200 gr.	1	€ 37,30

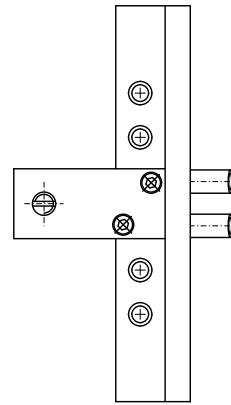
Short link



www.otlav.it - MC 701

## MC 701

Aluminium jig for overlay doors



CODE

**MC701130G022**  
For EXACTA Ø13

WEIGHT

230 gr.

Pcs / Box

1

PRICE PCS.

€ 173,90

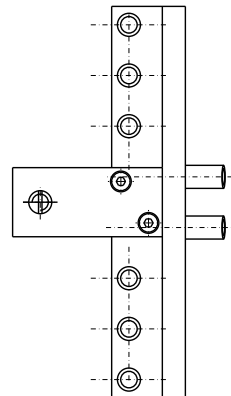
Short link



www.otlav.it - MC 701

## MC 701

Aluminium jig for overlay doors



CODE

**MC701160G067**  
For URSUS Ø16

WEIGHT

230 gr.

Pcs / Box

1

PRICE PCS.

€ 153,00

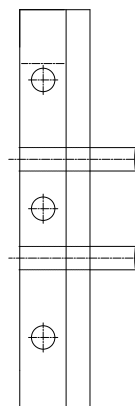
Short link



www.otlav.it - MC 701

## MC 703

Wooden jig for overlay doors



CODE	WEIGHT	Pcs / Box	PRICE PCS.
<b>MC703P39G002</b> For P39 Ø13 male part and female part M7	133 gr.	1	€ 61,06

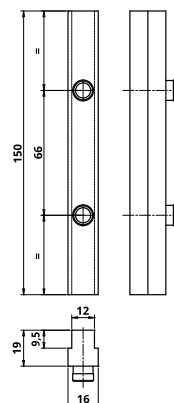
Short link



www.otlav.it - MC 703

## MC 703

Aluminium jig for overlay doors



CODE	WEIGHT	Pcs / Box	PRICE PCS.
<b>MC703483G010</b> For BIXACTA female	165 gr.	1	€ 41,52

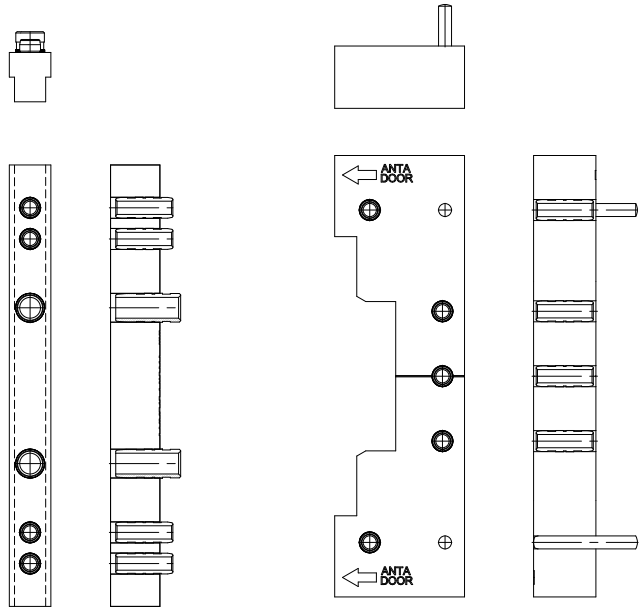
Short link





www.otlav.it - MC 703

# MC 703

Aluminium jigs for overlay doors

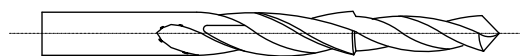


CODE	WEIGHT	Pcs / Box	PRICE PCS.	TOT.
 <b>MC703473G003</b> For TRIXACTA - door part	140 gr.	1 1 x 1 (Unpacked)	€ 133,80	€ 399,80
 <b>MC703473G006</b> For TRIXACTA - frame part	450 gr.	1 1 x 1 (Unpacked)	€ 266,00	



**MC 710**

Step down drill-bit



CODE	WEIGHT	Pcs / Box	PRICE PCS.
<b>MC710090G002</b> Step down drill-bit Ø5,2 - Ø3,8 - for Ø9	15 gr.	1	€ 18,70
<b>MC710130G002</b> Step down drill-bit Ø6,7 - Ø5,3 - for Ø13, M8, 320 Ø15	20 gr.	1	€ 21,60
<b>MC710140G002</b> Step down drill-bit Ø7,2 - Ø5,8 - for Ø14, 320 Ø16	30 gr.	1	€ 28,60
<b>MC710160G002</b> Step down drill-bit Ø7,7 - Ø6,3 - for Ø16	30 gr.	1	€ 25,90
<b>MC710218G002</b> Step down drill-bit - for Ø18, Ø20	52 gr.	1	€ 30,20

Short link



www.otlav.it - MC 710

**MC 710**

Drill-bit Ø5,7



CODE	WEIGHT	Pcs / Box	PRICE PCS.
<b>MC7100M7G002</b> Drill-bit Ø5,7 - for PVC M7	19 gr.	1	€ 27,30
<b>MC710110G002</b> Drill-bit Ø5,4 - for Ø11	20 gr.	1	€ 18,70
<b>MC710140G004</b> Drill-bit Ø7 - for EXACTA Ø14 and Ø16	30 gr.	1	€ 14,92
<b>MC710140G006</b> Drill-bit Ø6,8 - for EXACTA Ø14, Ø16 and 488 Ø16 soft wood	32 gr.	1	€ 37,30
<b>MC710200G002</b> Drill-bit Ø8,5 - for EXACTA Ø20	40 gr.	1	€ 19,30

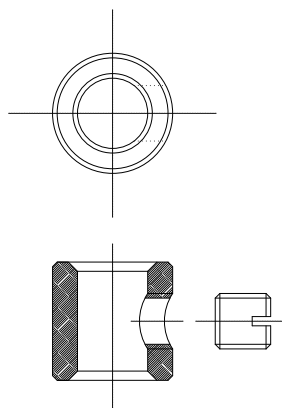
Short link



www.otlav.it - MC 710

## MC 711

Drill-bit stop



CODE	WEIGHT	Pcs / Box	PRICE PCS.
<b>MC711620H002</b> For hinges Ø16- Ø18- Ø20 and EXACTA Ø16- Ø20	20 gr.	1	€ 5,81
<b>MC711914H002</b> For hinges Ø9- Ø11- Ø13- Ø14- Ø15 and EXACTA Ø14- Ø16	9 gr.	1	€ 5,67

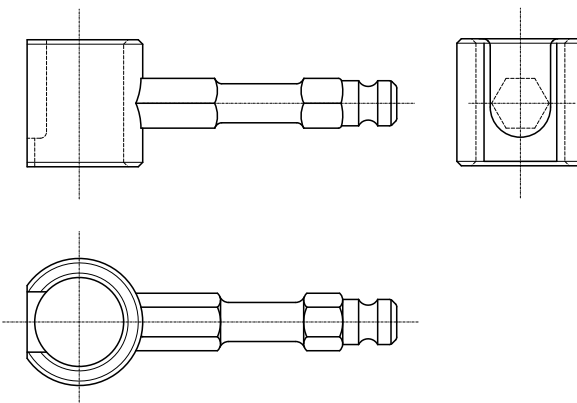
Short link



www.otlav.it - MC 711

## MC 712

Drill screwer



CODE	WEIGHT	Pcs / Box	PRICE PCS.
<b>MC712130H002</b> For Ø13 hinges	30 gr.	1	€ 7,53
<b>MC712140H002</b> For Ø14 hinges	30 gr.	1	€ 7,65
<b>MC712160H002</b> For Ø16 hinges	40 gr.	1	€ 8,96

Short link

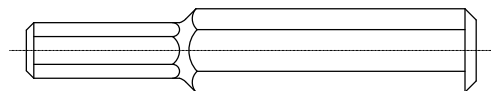


www.otlav.it - MC 712



**MC 712**

Drill screwer



CODE	WEIGHT	Pcs / Box	PRICE PCS.
<b>MC712160H004</b> For EXACTA Ø14 Ø16, URSUS Ø14 Ø16 and 488 Ø16	5 gr.	1	€ 7,65

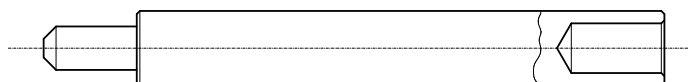
Short link



www.otlav.it - MC 712

**MC 713**

Registering pin



CODE	WEIGHT	Pcs / Box	PRICE PCS.
<b>MC713130H002</b> For Ø13 hinges	55,67 gr.	1	€ 7,21
<b>MC713140H002</b> For Ø14 hinges	82 gr.	1	€ 7,21

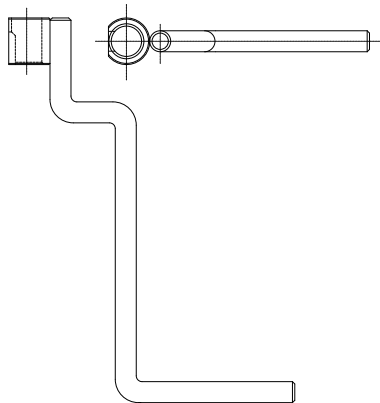
Short link



www.otlav.it - MC 713

## MC 714

Manual screwer



CODE	WEIGHT	Pcs / Box	PRICE PCS.
<b>MC714130H002</b> For Ø13 hinges	145 gr.	1	€ 23,00

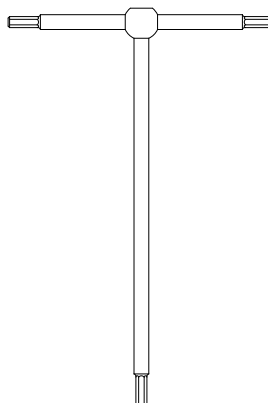
Short link



www.otlav.it - MC 714

## MC 714

T-wrench



CODE	WEIGHT	Pcs / Box	PRICE PCS.
<b>MC714160H002</b> T-wrench imp. 4 - for EXACTA Ø14- Ø16 - 057 Ø13- Ø14- Ø16	60 gr.	1	€ 34,50
<b>MC714200H002</b> T-wrench imp. 5 - for EXACTA Ø20	100 gr.	1	€ 35,90

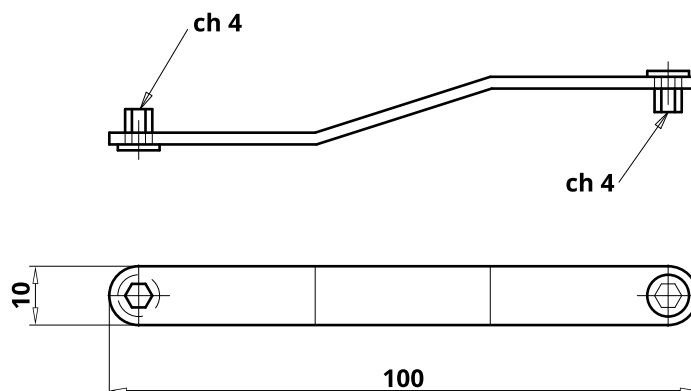
Short link



www.otlav.it - MC 714

## TRIMK

S-wrench imp. 4



CODE	WEIGHT	Pcs / Box	PRICE PCS.
<b>MC714CH4H502</b> For EXACTA Ø14- Ø16 and 057 Ø13- Ø14- Ø16	17 gr.	1	€ 7,21

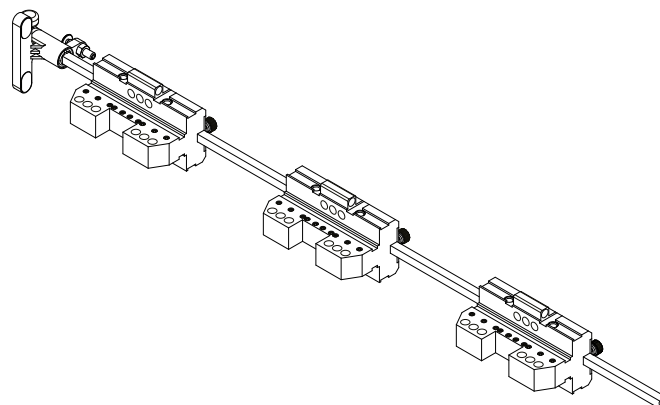
Short link



www.otlav.it - TRIMK

## MU 803

Rod L. 240 cm with 3 jigs



CODE	WEIGHT	Pcs / Box	PRICE PCS.
<b>MU803483G002</b> For BIXACTA 483 Ø16 - male part with pegs Ø2,5	3.538 gr.	1	€ 1.370,00

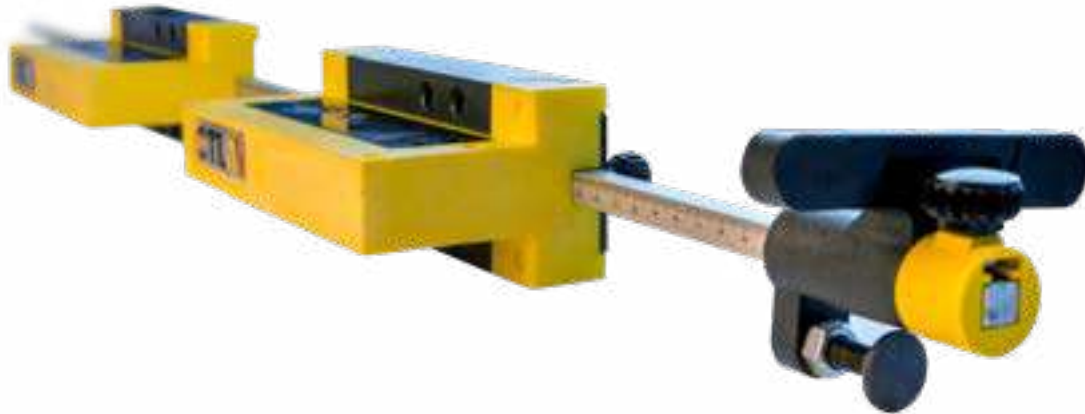
Short link



www.otlav.it - MU 803

# MODULAR ROD

**ACCURACY, SPEED AND FLEXIBILITY**



Unlike the standard hinge drilling systems, with MODULAR ROD, thanks to the device which can lodge two or three special tools that permit the separate door and frame drilling for the subsequent hinge fitting, it is not necessary to place the door on the frame; so that it **is possible to prepare two separate lines to produce the doors, that is to say one for producing the shutters and one for the frames.**

The special symmetric shape of the jig and the reversible

stop ensure the same rod can be used both **for doors and frames whether left or right.**

The use of the shims finally permits to adapt the jigs in case it would be necessary to increase or decrease the drilling distances respect to door or frame.

The **MODULAR** rod jigs are customized according to the kind of frame, to the type of hinge, to the position and angle of the pins as to the door or frame.



**1** - The modular construction permits to use the same jigs, by replacing only the blocks, to fix different kinds of Otlav hinges.



**2** - The millimetric rod allows the correct positioning of the jigs on the frames and on the doors.



**3** - Duly adjusted, the reversible stop permits to position the rod always with a micrometric precision, in different times both on the frames and on the doors.



**4** - The first, easy action to drill the frame, is the correct reversible stop Positioning on the frame reference.



**5** - Successively proceed by drilling the frame.

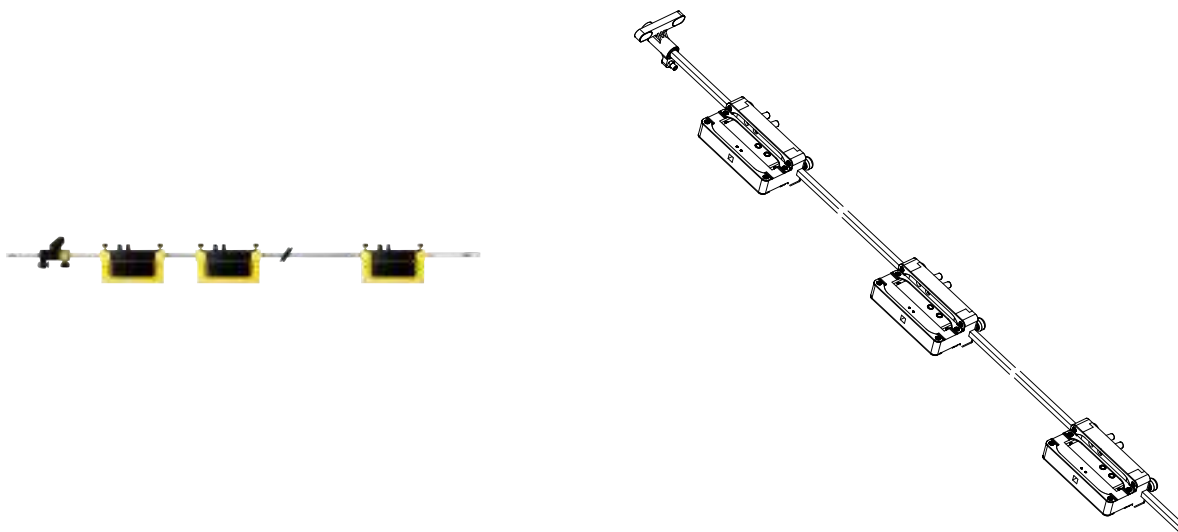


**6** - As for the door the process is the same, the correct reversible stop Positioning on the door reference, is the first operation to be done while drilling.



**7** - It is then easy to proceed by fitting both the male and the female parts.

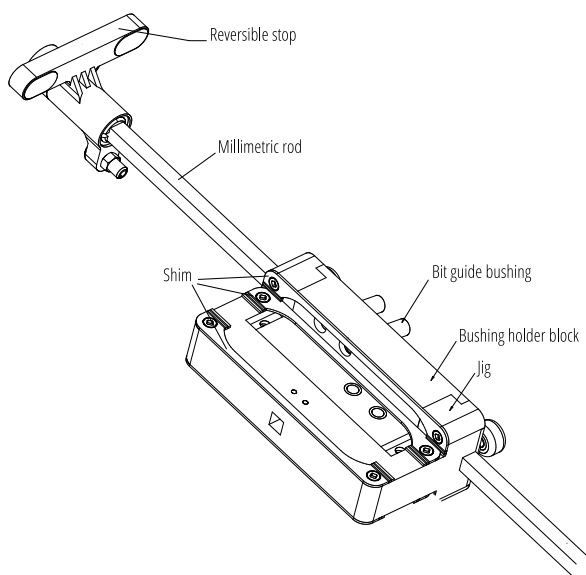
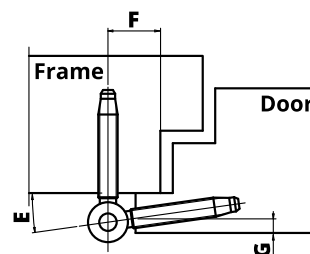
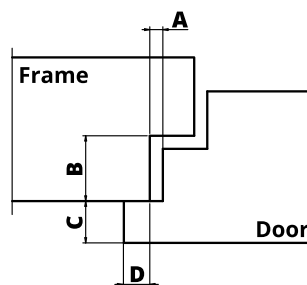




CODE	Pcs / Box	PRICE PCS.
<b>MU8</b> --- Customized jig for installation of OTLAV hinges equipped with: millimeter rod, reversible stop, 3 drilling jigs and if needed shims.	1	On request

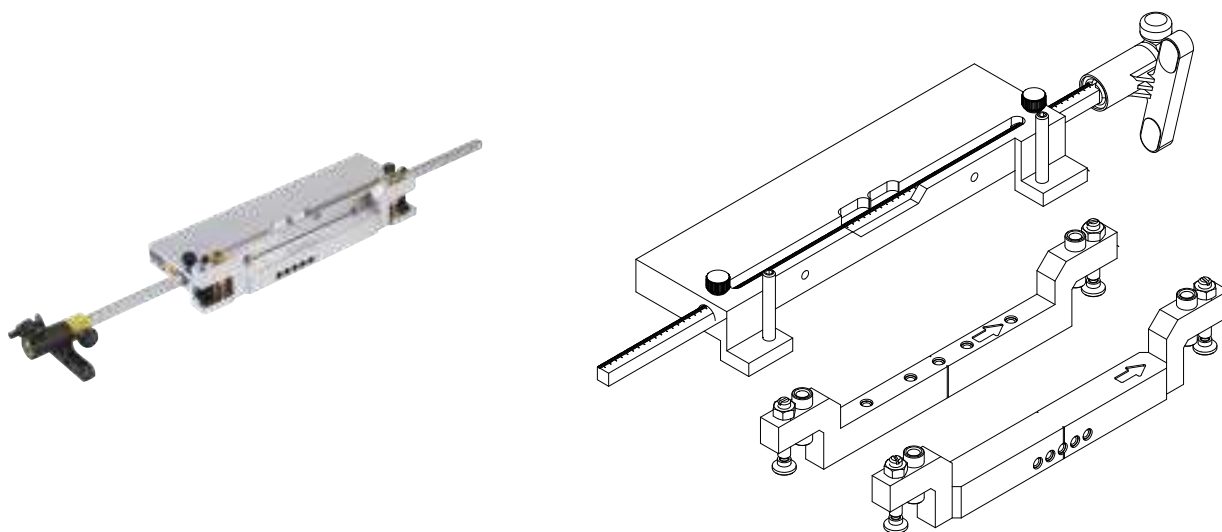
For inquiries you are requested to forward the dimensioned technical drawing of shutter and frame as per sketch here below.

- A:** Light between frame and door.
- B:** First interior frame rabbet.
- C:** Overlapping shim between door and frame.
- D:** Overlapping between door and frame.
- E:** Drilling angle for female pin.
- F:** Axis position male hinge referred to rabbet.
- G:** Axis position female hinge referred to door surface.

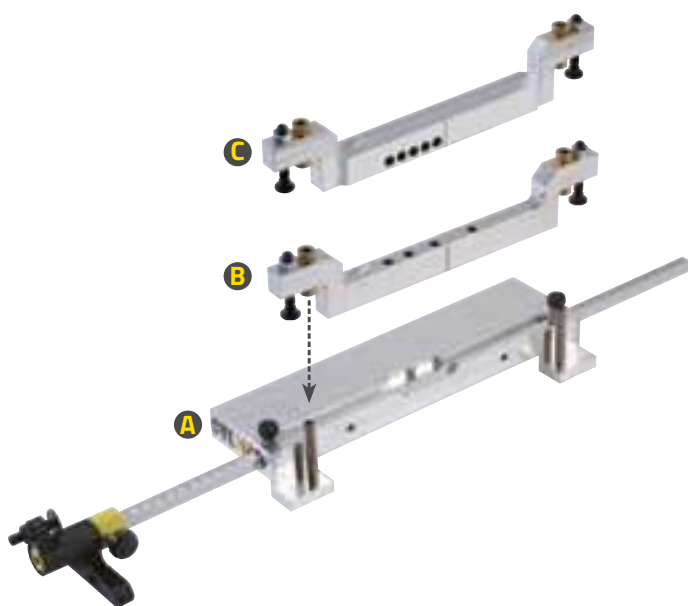


## MR A

Aluminium jig for overlay doors - for ROLLACTA



CODE	Pcs / Box	PRICE PCS.
 <b>MRA</b>	1	On request



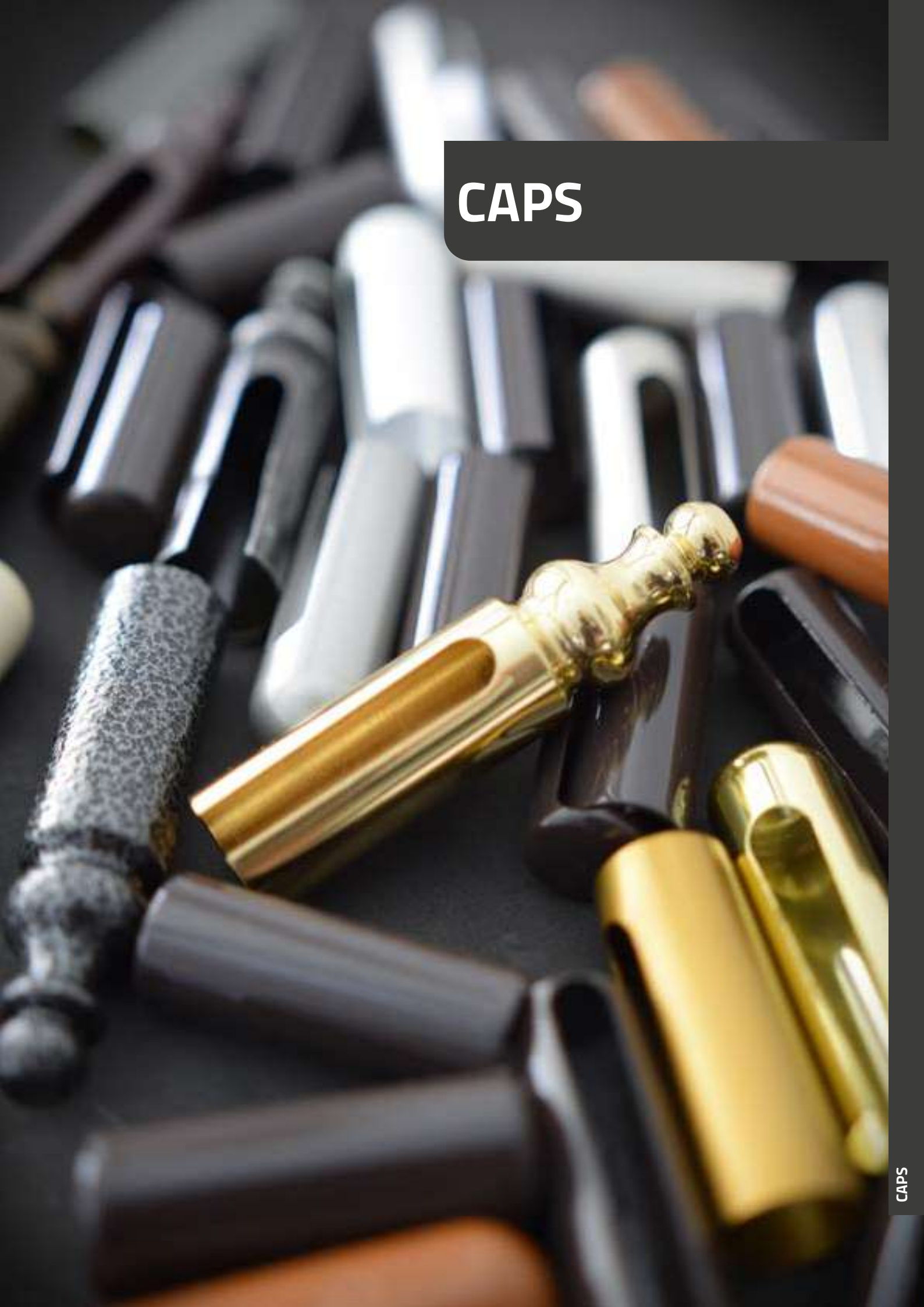
The jig for Rollacta, thanks to its own characteristics, allows an easy, precise and quick installation of the hinges. Composed of a basic part **(A)** suitable to be fixed on all types of UPVC profiles. The kits **(B e C)** are customized according to the used kind of profiles. Suitable to be used equally well on both right and left doors. Graduated rod on request.

Short link



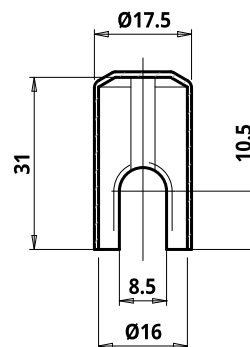
www.otlav.it - MR A



# CAPS



## 815 Ø17,5

Nylon cap for 030, 055 and 057 Ø16



CODE	FINISHING	WEIGHT	Pcs / Box	PRICE PCS.
 <b>GC815175YA01</b>	Gold Nylon	2,12 gr.	720 4 x 180 (Box x pcs. each)	€ 1,448
 <b>GC815175YC01</b>	Matt Nickel Plated Nylon	2,12 gr.	720 4 x 180 (Box x pcs. each)	€ 1,304

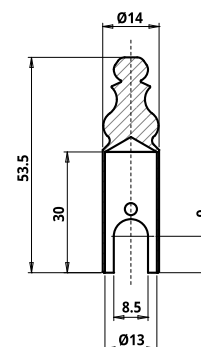
Short link



www.otlav.it - 815 Ø17,5

## 826 Ø14

Brass cap for 030, 050, 055 and 057 Ø13



CODE	FINISHING	WEIGHT	Pcs / Box	PRICE PCS.
 <b>GC826140L110</b>	Polished Varnished	16,53 gr.	240 4 x 60 (Box x pcs. each)	€ 3,70

Short link

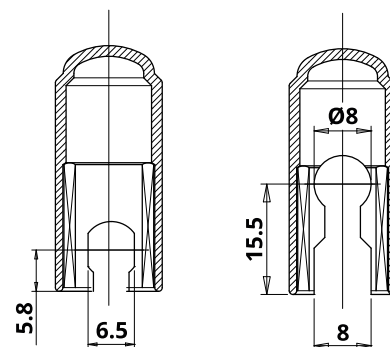






www.otlav.it - 826 Ø14



**818 Ø15**

Nylon cap for P09 plastified



CODE	FINISHING	WEIGHT	Pcs / Box	PRICE PCS.	TOT.
 <b>GC818150Y301</b> Male cap	White Nylon (RAL 9010)	1,8 gr.	1000 1 x 1000 (Box x pcs. each)	€ 0,069	€ 0,135
 <b>GC818150Y302</b> Female cap	White Nylon (RAL 9010)	1,89 gr.	1000 1 x 1000 (Box x pcs. each)	€ 0,066	
 <b>GC818150Y605</b> Male cap	White Nylon (RAL 9016)	1,8 gr.	1000 1 x 1000 (Box x pcs. each)	€ 0,063	€ 0,129
 <b>GC818150Y606</b> Female cap	White Nylon (RAL 9016)	1,89 gr.	1000 1 x 1000 (Box x pcs. each)	€ 0,066	

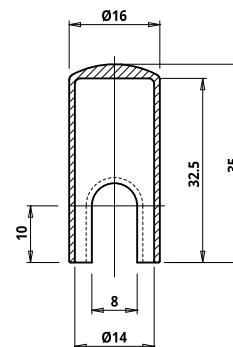
Short link




www.otlav.it - 818 Ø15

**836 Ø16**

Nylon cap for 055 and 057 Ø14



CODE	FINISHING	WEIGHT	Pcs / Box	PRICE PCS.
 <b>GC836160Y304</b>	White Nylon (RAL 9010)	1,56 gr.	800 4 x 200 (Box x pcs. each)	€ 0,183

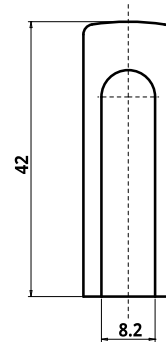
Short link






www.otlav.it - 836 Ø16

## 838 Ø14

Aluminium cap for EXACTA Ø13



CODE	FINISHING	WEIGHT	Pcs / Box	PRICE PCS.
 <b>GC838140J002</b>	Gold Aluminium	1,8 gr.	800 4 x 200 (Box x pcs. each)	€ 0,833
 <b>GC838140JT02</b>	Satinized Nickel Aluminium	2 gr.	800 4 x 200 (Box x pcs. each)	€ 0,917
 <b>GC838140P302</b>	White (RAL 9010)	1,8 gr.	800 4 x 200 (Box x pcs. each)	€ 1,184

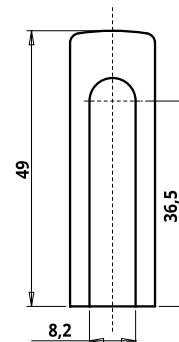
Short link





www.otlav.it - 838 Ø14

## 838 Ø15

Aluminium cap for POMELLAS, 491 and EXACTA Ø14



CODE	FINISHING	WEIGHT	Pcs / Box	PRICE PCS.
 <b>GC8381509N02</b>	Matt Black	2,68 gr.	680 4 x 170 (Box x pcs. each)	€ 1,504
 <b>GC838150J702</b>	Satinized Silver Aluminium	2,68 gr.	680 4 x 170 (Box x pcs. each)	€ 1,028
 <b>GC838150J004</b>	Gold Aluminium	2,68 gr.	680 4 x 170 (Box x pcs. each)	€ 0,984
 <b>GC838150JT02</b>	Satinized Nickel Aluminium	2 gr.	680 4 x 170 (Box x pcs. each)	€ 1,154
 <b>GC838150JZ02</b>	Bronze Aluminium	2,68 gr.	680 4 x 170 (Box x pcs. each)	€ 1,192
 <b>GC838150PI02</b>	White (RAL 9016)	2,68 gr.	680 4 x 170 (Box x pcs. each)	€ 1,221

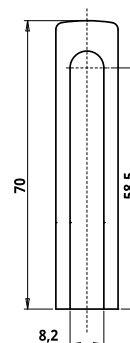
Short link



www.otlav.it - 838 Ø15

**838 Ø15**

Aluminium cap for URSUS Ø14



CODE	FINISHING	WEIGHT	Pcs / Box	PRICE PCS.
<b>GC838150JT06</b>	Satinized Nickel Aluminium	3,9 gr.	400 4 x 100(Box x pcs. each)	€ 2,274

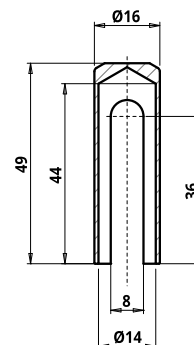
Short link



www.otlav.it - 838 Ø15

**838 Ø16**

Brass cap for POMELLAS, 491, EXACTA Ø14



CODE	FINISHING	WEIGHT	Pcs / Box	PRICE PCS.
<b>GC838160BN03</b>	Bronze Plated	20,05 gr.	520 4 x 130(Box x pcs. each)	€ 3,95
<b>GC838160L103</b>	Polished Varnished	20,05 gr.	160 4 x 40(Box x pcs. each)	€ 4,25

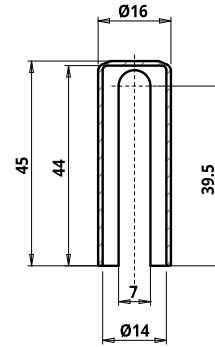
Short link








www.otlav.it - 838 Ø16

## 838 Ø16

Nylon cap for POMELLAS, 491, EXACTA Ø14



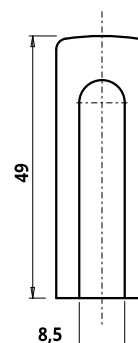
CODE	FINISHING	WEIGHT	Pcs / Box	PRICE PCS.
 <b>GC838160Y201</b>	Black Nylon	2,01 gr.	720 4 x 180 (Box x pcs. each)	€ 0,267
 <b>GC838160Y301</b>	White Nylon (RAL 9010)	2,01 gr.	720 4 x 180 (Box x pcs. each)	€ 0,267
 <b>GC838160Y602</b>	White Nylon (RAL 9016)	2,01 gr.	720 4 x 180 (Box x pcs. each)	€ 0,221
 <b>GC838160YD01</b>	Brown Nylon	2,01 gr.	720 4 x 180 (Box x pcs. each)	€ 0,267
 <b>GC838160YS03</b>	Matt Chrome Plated Nylon	2,33 gr.	520 4 x 130 (Box x pcs. each)	€ 1,445

Short link



www.otlav.it - 838 Ø16

Aluminium cap for NORDEX, BIXACTA, EXACTA Ø16 and URSUS Ø16 female



CODE	FINISHING	WEIGHT	Pcs / Box	PRICE PCS.
 <b>GC8381709F52</b>	Grey (9F)	3,32 gr.	160 4 x 40 (Box x pcs. each)	€ 1,646
 <b>GC8381709N02</b>	Matt Black	3,32 gr.	160 4 x 40 (Box x pcs. each)	€ 1,78
 <b>GC838170J702</b>	Satinized Silver Aluminium	3,32 gr.	400 4 x 100 (Box x pcs. each)	€ 1,233
 <b>GC838170JC02</b>	Satinized Nickel Plated	3,32 gr.	240 8 x 30 (Box x pcs. each)	€ 1,832
 <b>GC838170J002</b>	Gold Aluminium	3,32 gr.	400 4 x 100 (Box x pcs. each)	€ 1,174
 <b>GC838170JT02</b>	Satinized Nickel Aluminium	3,32 gr.	400 4 x 100 (Box x pcs. each)	€ 1,322
 <b>GC838170JZ02</b>	Bronze Aluminium	3,32 gr.	400 4 x 100 (Box x pcs. each)	€ 1,616
 <b>GC838170PI02</b>	White (RAL 9016)	3,32 gr.	160 4 x 40 (Box x pcs. each)	€ 1,792
 <b>GC838170PU02</b>	Clay Brown (RAL 8003)	3,32 gr.	160 4 x 40 (Box x pcs. each)	€ 1,91

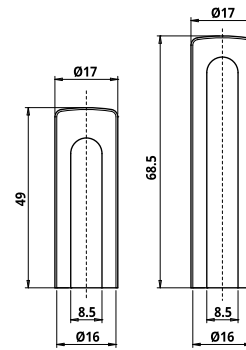
Short link



www.otlav.it - 838 Ø17

## 838 Ø17

Aluminium cap for URSUS Ø16



CODE	FINISHING	WEIGHT	Pcs / Box	PRICE PCS.	TOT.
<b>GC8381709N02</b> Female cap	Matt Black	3,32 gr.	160 4 x 40 (Box x pcs. each)	€ 1,78	€ 5,50
<b>GC8381709N04</b> Male cap	Matt Black	4 gr.	160 4 x 40 (Box x pcs. each)	€ 3,72	
<b>GC838170J702</b> Female cap	Satinized Silver Aluminium	3,32 gr.	400 4 x 100 (Box x pcs. each)	€ 1,233	€ 4,173
<b>GC838170J706</b> Male cap	Satinized Silver Aluminium	4 gr.	240 8 x 30 (Box x pcs. each)	€ 2,94	
<b>GC838170JC02</b> Female cap	Satinized Nickel Plated	3,32 gr.	240 8 x 30 (Box x pcs. each)	€ 1,832	€ 5,002
<b>GC838170JC06</b> Male cap	Satinized Nickel Plated	4 gr.	240 8 x 30 (Box x pcs. each)	€ 3,17	

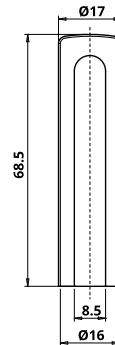
Short link



www.otlav.it - 838 Ø17

## 838 Ø17

Aluminium cap for URSUS PVC



CODE	FINISHING	WEIGHT	Pcs / Box	PRICE PCS.
<b>GC8381709P02</b>	White Nylon (RAL 9016)	4 gr.	160 4 x 40 (Box x pcs. each)	On request
<b>GC838170JC06</b>	Satinized Nickel Plated	4 gr.	240 8 x 30 (Box x pcs. each)	€ 3,17

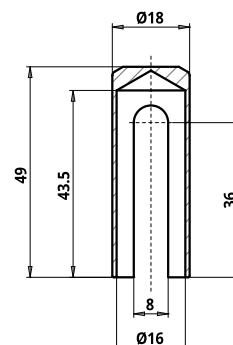
Short link





www.otlav.it - 838 Ø17

**838 Ø18**

Brass cap for NORDEX, BIXACTA and EXACTA Ø16



CODE	FINISHING	WEIGHT	Pcs / Box	PRICE PCS.
 <b>GC838180BN04</b>	Bronze Plated	23 gr.	400 4 x 100(Box x pcs. each)	€ 4,66
 <b>GC838180L104</b>	Polished Varnished	23 gr.	160 4 x 40(Box x pcs. each)	€ 5,12

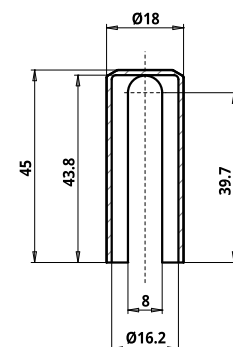
Short link



www.otlav.it - 838 Ø18

**838 Ø18**

Nylon cap for NORDEX, BIXACTA and EXACTA Ø16



CODE	FINISHING	WEIGHT	Pcs / Box	PRICE PCS.
 <b>GC838180Y208</b>	Black Nylon	2,41 gr.	480 4 x 120(Box x pcs. each)	€ 0,221
 <b>GC838180Y305</b>	White Nylon (RAL 9010)	2,41 gr.	480 4 x 120(Box x pcs. each)	€ 0,221
 <b>GC838180Y503</b>	Blue White Nylon	2,41 gr.	480 4 x 120(Box x pcs. each)	€ 0,221
 <b>GC838180Y603</b>	White Nylon (RAL 9016)	2,41 gr.	480 4 x 120(Box x pcs. each)	€ 0,221
 <b>GC838180Y807</b>	Dark Brown Nylon	2,41 gr.	480 4 x 120(Box x pcs. each)	€ 0,221
 <b>GC838180YB03</b>	Chrome Nylon	2,41 gr.	480 4 x 120(Box x pcs. each)	€ 1,306
 <b>GC838180YC01</b>	Matt Nickel Plated Nylon	2,87 gr.	160 4 x 40(Box x pcs. each)	€ 1,646
 <b>GC838180YD05</b>	Brown Nylon	2,41 gr.	480 4 x 120(Box x pcs. each)	€ 0,207
 <b>GC838180YS04</b>	Matt Chrome Plated Nylon	2,87 gr.	480 4 x 120(Box x pcs. each)	€ 1,306

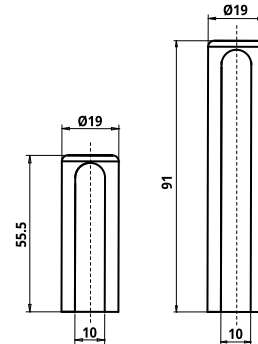
Short link



www.otlav.it - 838 Ø18

## 838 Ø19

Aluminium cap for URSUS Ø18



CODE	FINISHING	WEIGHT	Pcs / Box	PRICE PCS.	TOT.
<b>GC838190J703</b> Male cap	Satinized Silver Aluminium	4,55 gr.	240 8 x 30 (Box x pcs. each)	€ 3,22	€ 5,552
<b>GC838190J704</b> Female cap	Satinized Silver Aluminium	3,18 gr.	240 8 x 30 (Box x pcs. each)	€ 2,332	
<b>GC838190JC03</b> Male cap	Satinized Nickel Plated	4,55 gr.	240 8 x 30 (Box x pcs. each)	On request	
<b>GC838190JC04</b> Female cap	Satinized Nickel Plated	3,18 gr.	240 8 x 30 (Box x pcs. each)	On request	
<b>GC838190J003</b> Male cap	Gold Aluminium	4,55 gr.	240 8 x 30 (Box x pcs. each)	€ 3,44	€ 6,05
<b>GC838190J004</b> Female cap	Gold Aluminium	3,18 gr.	240 8 x 30 (Box x pcs. each)	€ 2,61	

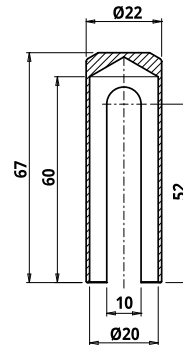
Short link



www.otlav.it - 838 Ø19

## 838 Ø22

Brass cap for EXACTA Ø20



CODE	FINISHING	WEIGHT	Pcs / Box	PRICE PCS.
<b>GC838220BN04</b>	Bronze Plated	39,64 gr.	4 x 50 (Box x pcs. each)	On request
<b>GC838220H303</b>	Black Engraved Zinc Plated	39,64 gr.	4 x 50 (Box x pcs. each)	On request
<b>GC838220L104</b>	Polished Varnished	39,64 gr.	4 x 20 (Box x pcs. each)	On request

Short link

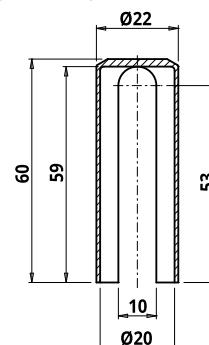


www.otlav.it - 838 Ø22



**838 Ø22**

Nylon cap for EXACTA Ø20



CODE	FINISHING	WEIGHT	Pcs / Box	PRICE PCS.
 <b>GC838220V802</b>	Polished Gold	3,64 gr.	200 4 x 50(Box x pcs. each)	€ 1,214
 <b>GC838220VZ02</b>	Bronze Plated	3,64 gr.	200 4 x 50(Box x pcs. each)	€ 1,214
 <b>GC838220Y201</b>	Black Nylon	3,64 gr.	200 4 x 50(Box x pcs. each)	€ 0,411
 <b>GC838220Y301</b>	White Nylon (RAL 9010)	3,64 gr.	200 4 x 50(Box x pcs. each)	€ 0,411
 <b>GC838220YC01</b>	Matt Nickel Plated Nylon	4,6 gr.	80 4 x 20(Box x pcs. each)	€ 2,642
 <b>GC838220YD01</b>	Brown Nylon	3,64 gr.	200 4 x 50(Box x pcs. each)	€ 0,411
 <b>GC838220YS03</b>	Matt Chrome Plated Nylon	4,6 gr.	200 4 x 50(Box x pcs. each)	€ 1,761

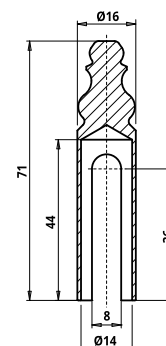
Short link






www.otlav.it - 838 Ø22

**839 Ø16**

Brass cap for POMELLAS, 491 and EXACTA Ø14



CODE	FINISHING	WEIGHT	Pcs / Box	PRICE PCS.
 <b>GC839160BN03</b>	Bronze Plated	32,55 gr.	360 4 x 90(Box x pcs. each)	€ 5,60
 <b>GC839160L103</b>	Polished Varnished	32,55 gr.	160 4 x 40(Box x pcs. each)	€ 5,83
 <b>GC839160PG02</b>	Old Silver	32,55 gr.	360 4 x 90(Box x pcs. each)	On request

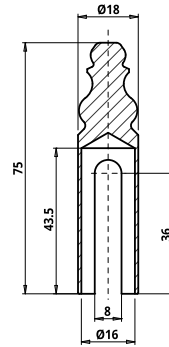
Short link






www.otlav.it - 839 Ø16

## 839 Ø18

Brass cap for NORDEX, BIXACTA and EXACTA Ø16



CODE	FINISHING	WEIGHT	Pcs / Box	PRICE PCS.
 <b>GC839180BN03</b>	Bronze Plated	41,05 gr.	300 4 x 75 (Box x pcs. each)	€ 6,57
 <b>GC839180G002</b>	Natural Brass	41,05 gr.	300 4 x 75 (Box x pcs. each)	€ 6,22
 <b>GC839180L103</b>	Polished Varnished	41,05 gr.	160 4 x 40 (Box x pcs. each)	€ 7,03

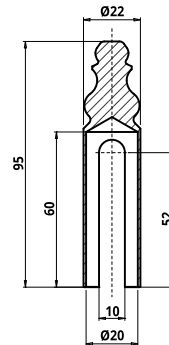
Short link





www.otlav.it - 839 Ø18

## 839 Ø22

Brass cap for EXACTA Ø20



CODE	FINISHING	WEIGHT	Pcs / Box	PRICE PCS.
 <b>GC839220BN04</b>	Bronze Plated	66 gr.	160 4 x 40 (Box x pcs. each)	€ 12,21
 <b>GC839220L103</b>	Polished Varnished	66 gr.	80 4 x 20 (Box x pcs. each)	€ 12,56

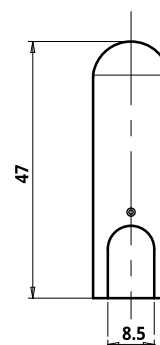
Short link





www.otlav.it - 839 Ø22

**844 Ø14**

Aluminium cap for 070, 075, 080 and 085 Ø13



CODE	FINISHING	WEIGHT	Pcs / Box	PRICE PCS.
 <b>GC844140JA02</b>	Blue Satinized Nickel Aluminium	2,65 gr.	680 4 x 170 (Box x pcs. each)	€ 0,797
 <b>GC844140PI02</b>	White (RAL 9016)	2,65 gr.	248 4 x 62 (Box x pcs. each)	€ 1,124

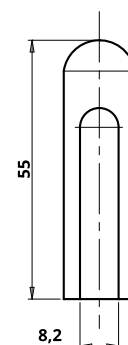
Short link







www.otlav.it - 844 Ø14

**846 Ø15**

Aluminium cap for POMELLAS, 491 and EXACTA Ø14



CODE	FINISHING	WEIGHT	Pcs / Box	PRICE PCS.
 <b>GC846150J704</b>	Satinized Silver Aluminium	2,95 gr.	600 4 x 150 (Box x pcs. each)	€ 1,468
 <b>GC846150JA03</b>	Blue Satinized Nickel Aluminium	2,95 gr.	600 4 x 150 (Box x pcs. each)	€ 1,468
 <b>GC846150JT03</b>	Satinized Nickel Aluminium	2,95 gr.	600 4 x 150 (Box x pcs. each)	€ 1,028
 <b>GC846150PI02</b>	White (RAL 9016)	2,95 gr.	180 4 x 45 (Box x pcs. each)	€ 1,571

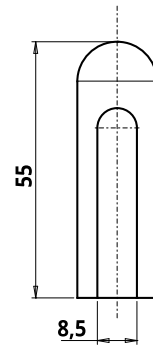
Short link





www.otlav.it - 846 Ø15

## 846 Ø17

Aluminium cap for NORDEX, BIXACTA and EXACTA Ø16



CODE	FINISHING	WEIGHT	Pcs / Box	PRICE PCS.
 <b>GC846170J702</b>	Satinized Silver Aluminium	3,42 gr.	400 4 x 100 (Box x pcs. each)	€ 1,761
 <b>GC846170JA02</b>	Blue Satinized Nickel Aluminium	3,42 gr.	400 4 x 100 (Box x pcs. each)	€ 1,468
 <b>GC846170J002</b>	Gold Aluminium	3,42 gr.	400 4 x 100 (Box x pcs. each)	€ 1,761
 <b>GC846170JT02</b>	Satinized Nickel Aluminium	3,42 gr.	400 4 x 100 (Box x pcs. each)	€ 1,468
 <b>GC846170P302</b>	White (RAL 9010)	3,42 gr.	160 4 x 40 (Box x pcs. each)	€ 1,616
 <b>GC846170PI02</b>	White (RAL 9016)	3,42 gr.	160 4 x 40 (Box x pcs. each)	€ 1,91
 <b>GC846170PU02</b>	Clay Brown (RAL 8003)	3,42 gr.	160 4 x 40 (Box x pcs. each)	€ 2,055

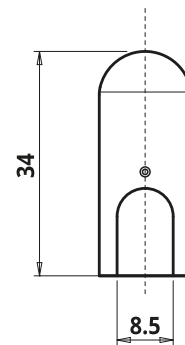
Short link






www.otlav.it - 846 Ø17

## 847 Ø14

Aluminium cap for O30, O50, O55, O57 and O70 Ø13



CODE	FINISHING	WEIGHT	Pcs / Box	PRICE PCS.
 <b>GC847140J704</b>	Satinized Silver Aluminium	1,84 gr.	1200 4 x 300 (Box x pcs. each)	€ 1,028
 <b>GC847140JA04</b>	Blue Satinized Nickel Aluminium	1,84 gr.	1200 4 x 300 (Box x pcs. each)	On request
 <b>GC847140J006</b>	Gold Aluminium	1,84 gr.	1200 4 x 300 (Box x pcs. each)	On request

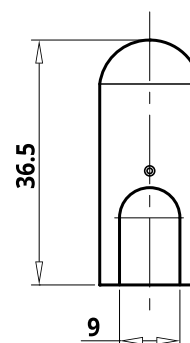
Short link






www.otlav.it - 847 Ø14

**847 Ø15**

Aluminium cap for 055 and 057 Ø14



CODE	FINISHING	WEIGHT	Pcs / Box	PRICE PCS.
 <b>GC847150J702</b>	Satinized Silver Aluminium	2,17 gr.	1000 4 x 250 (Box x pcs. each)	€ 1,322
 <b>GC847150JI02</b>	Silver Aluminium	2,17 gr.	1000 4 x 250 (Box x pcs. each)	On request
 <b>GC847150J004</b>	Gold Aluminium	2,17 gr.	1000 4 x 250 (Box x pcs. each)	On request

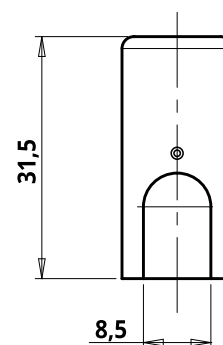
Short link






www.otlav.it - 847 Ø15

**849 Ø14**

Aluminium cap for 030, 050, 055, 057 and 070 Ø13



CODE	FINISHING	WEIGHT	Pcs / Box	PRICE PCS.
 <b>GC849140J712</b>	Satinized Silver Aluminium	1,6 gr.	1200 4 x 300 (Box x pcs. each)	€ 0,677
 <b>GC849140J014</b>	Gold Aluminium	1,6 gr.	1200 4 x 300 (Box x pcs. each)	€ 0,954
 <b>GC849140PI12</b>	White (RAL 9016)	1,6 gr.	248 4 x 62 (Box x pcs. each)	€ 1,112

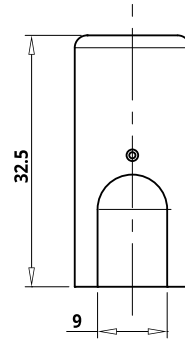
Short link





www.otlav.it - 849 Ø14

## 849 Ø15

Aluminium cap for 055 and 057 Ø14



CODE	FINISHING	WEIGHT	Pcs / Box	PRICE PCS.
 <b>GC849150J702</b>	Satinized Silver Aluminium	2,01 gr.	1000 4 x 250 (Box x pcs. each)	€ 0,951
 <b>GC849150J002</b>	Gold Aluminium	2,01 gr.	1000 4 x 250 (Box x pcs. each)	On request

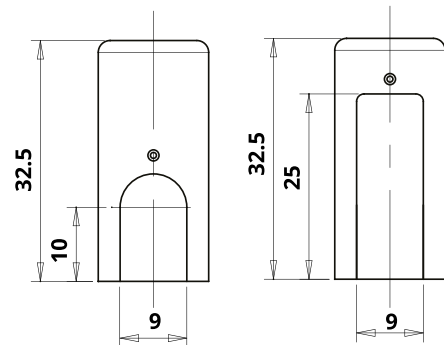
Short link





www.otlav.it - 849 Ø15

## 858 Ø15

Kit containing 6 aluminium caps 3 for male and 3 for female of P58 Ø14 hinges



CODE	FINISHING	WEIGHT	Pcs / Box	PRICE PCS.
 <b>GC858150J703</b>	Satinized Silver Aluminium	14 gr.	100 1 x 100 (Box x KIT x pcs. each)	On request
 <b>GC858150J003</b>	Gold Aluminium	14 gr.	100 1 x 100 (Box x KIT x pcs. each)	On request

Short link



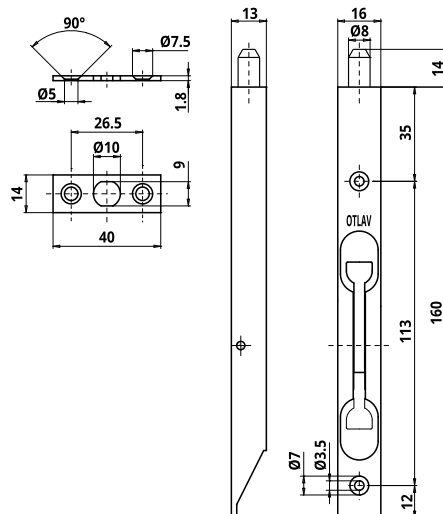
www.otlav.it - 858 Ø15

# FLUSHBOLTS



## LC 260 160

Lever steel flushbolt - Length 160 mm - Width 16



CODE	FINISHING	WEIGHT	Pcs / Box	PRICE PCS.
LC260160H002	Zinc Plated	73,55 gr.	240 12 x 20 (Box x pcs. each)	€ 2,484
LC260160N008	Nickel Plated	73,55 gr.	240 12 x 20 (Box x pcs. each)	€ 2,81
LC260160O002	Brass Plated	73,55 gr.	240 12 x 20 (Box x pcs. each)	€ 2,89
LC260160PK02	Bronze	73,55 gr.	240 12 x 20 (Box x pcs. each)	€ 3,07

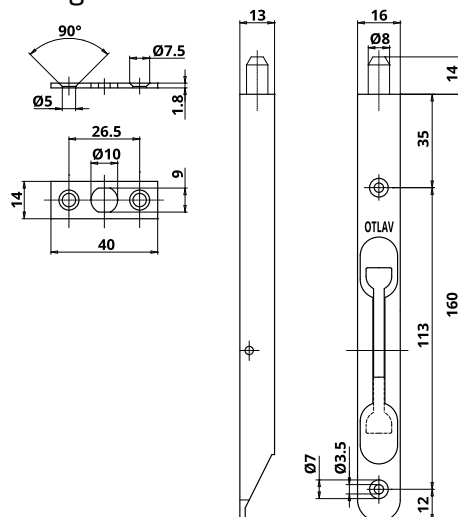
Short link



www.otlav.it - LC 260 160

## LC 260 160

Lever steel flushbolt - Length 160 mm - Width 16 - Round edge



CODE	FINISHING	WEIGHT	Pcs / Box	PRICE PCS.
LC260160H012	Zinc Plated	72,61 gr.	240 12 x 20 (Box x pcs. each)	€ 2,56
LC260160N006	Nickel Plated	72,61 gr.	240 12 x 20 (Box x pcs. each)	€ 2,91

Short link

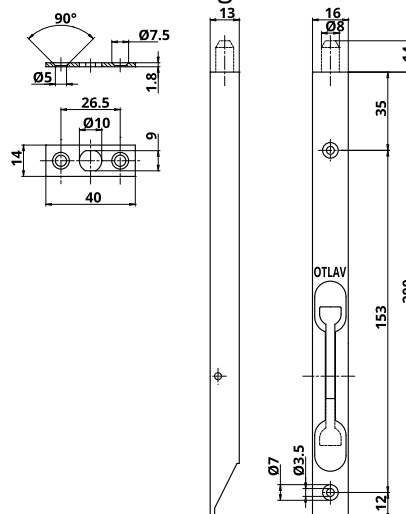


www.otlav.it - LC 260 160



## LC 260 200

Lever steel flushbolt - Length 200 mm - Width 16



CODE	FINISHING	WEIGHT	Pcs / Box	PRICE PCS.
LC260200H002	Zinc Plated	90,85 gr.	180 9 x 20(Box x pcs. each)	€ 2,66
LC260200N008	Nickel Plated	90,85 gr.	180 9 x 20(Box x pcs. each)	€ 3,92
LC260200O002	Brass Plated	90,85 gr.	180 9 x 20(Box x pcs. each)	€ 3,36
LC260200PK02	Bronze	90,85 gr.	180 9 x 20(Box x pcs. each)	€ 3,26

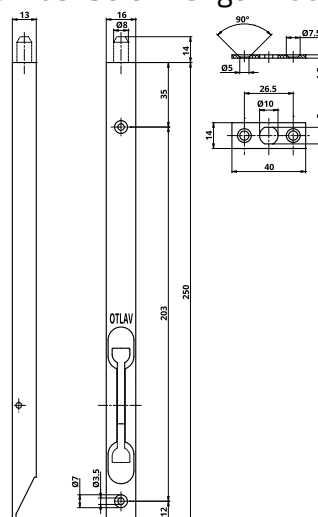
Short link



www.otlav.it - LC 260 200

## LC 260 250

Lever steel flushbolt - Length 250 mm - Width 16



CODE	FINISHING	WEIGHT	Pcs / Box	PRICE PCS.
LC260250H004	Zinc Plated	110,58 gr.	180 9 x 20(Box x pcs. each)	€ 2,99
LC260250O002	Brass Plated	110,58 gr.	180 9 x 20(Box x pcs. each)	€ 3,98
LC260250PK02	Bronze	110,58 gr.	180 9 x 20(Box x pcs. each)	€ 4,09

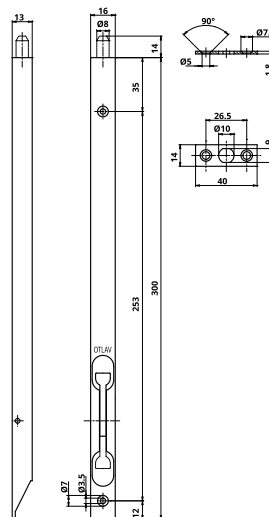
Short link



www.otlav.it - LC 260 250

## LC 260 300

Lever steel flushbolt - Length 300 mm - Width 16



CODE	FINISHING	WEIGHT	Pcs / Box	PRICE PCS.
LC260300H002	Zinc Plated	133,4 gr.	120 6 x 20(Box x pcs. each)	€ 2,36
LC2603000002	Brass Plated	133,4 gr.	120 6 x 20(Box x pcs. each)	€ 3,63

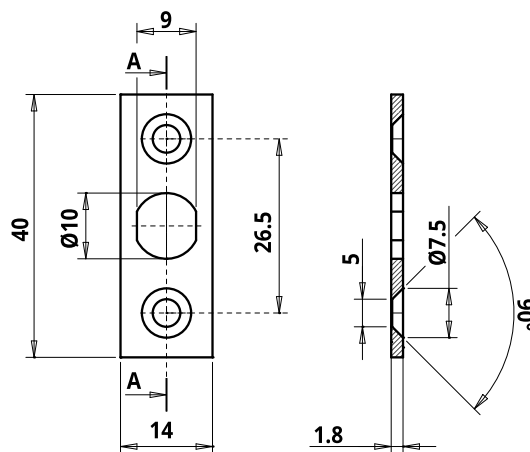
Short link



www.otlav.it - LC 260 300

## NP 040

Plate with 3 holes



CODE	FINISHING	WEIGHT	Pcs / Box	PRICE PCS.
NP040140H002	Zinc Plated	5,3 gr.	2400 8 x 300(Box x pcs. each)	€ 0,108

Short link



www.otlav.it - NP 040

## GENERAL CONDITIONS OF SALE

This document contains the general conditions of sale (hereafter 'General Conditions') of OTLAV S.p.A., VAT No. 01171050261, Registered Office in Via A. Padovan, 2, 31025 S. Lucia di Piave (TV), Italy (hereafter 'Vendor').

### 1. Subject

1.1 These General Conditions regulate all sales agreements for the Vendor's products (hereafter 'Products') to be entered into by the Vendor and each purchaser of its Products (hereafter 'Purchaser').

1.2 Waivers or amendments to these General Conditions shall be valid only if expressly accepted in writing by the Vendor, and shall refer only to the specific sales in question.

Therefore, all provisions endorsed on the purchase order or other Purchaser's document, be they in contrast or in addition to these General Conditions, shall be considered null and void unless they are expressly accepted in writing by the Vendor.

### 2. Conclusion of Sales Agreement

2.1 The Vendor's offer is to be considered valid for a period of thirty (30) days from the date it is made, unless otherwise indicated in the offer. Therefore, the Vendor shall have no obligation to consider any purchase orders received after the end of such term.

2.2 The order transmitted by the Purchaser to the Vendor on the basis of the offer shall contain accurate identification of the Products, the quantity required and any other element essential to conclude the sales agreement.

2.3 The sales agreement shall be considered concluded when the Purchaser receives written order confirmation from the Vendor. Such written confirmation can also be forwarded by e-mail or fax. Alternatively, the Vendor may exercise its discretion and accept the Purchaser's order without sending a formal order confirmation. In no way can express or implicit acceptance of an order by the Vendor be interpreted as acceptance of the Purchaser's general conditions, nor as waiving the application of these General Conditions of Sale.

2.4 Agents and brokers do not commit the Vendor in any way and any orders received from said agents and brokers shall be considered subject to a written order confirmation from the Vendor.

2.5 Following acceptance of an order by the Vendor, the Purchaser may not cancel such order without the Vendor's written consent, which may be subject to a refund of all costs incurred by the Vendor. The Vendor shall have the right to receive damages in the event of unauthorised cancellation of orders by the Purchaser.

### 3. Products

3.1 Information about Products contained in catalogues, price lists, brochures, websites or other similar instruments, as well as samples, are purely indicative/illustrative. Product conformity shall be assessed exclusively by comparison with the characteristics mentioned in the offer.

3.2 The Vendor reserves the right to modify the Products and technical/sales documentation as it sees fit, without altering the essential features.

3.3 Any requests from the Purchaser for modification after the order has been sent must be made in writing and will be charged for separately.

3.4 The Vendor is not liable for any errors in processing orders, if the Purchaser provides incomplete, missing or wrong indications of the Article Code.

3.5 In the case of bespoke products made specifically for the Purchaser (hereafter 'Special Products') the Vendor reserves the right to prepare a special technical drawing that describes the dimensions and technical characteristics of the product in question. Such document shall be signed and sealed for acceptance by the Purchaser. Acceptance of a technical drawing nulls and replaces all other technical descriptions provided at the preliminary or offer stage. The Vendor cannot be held responsible for errors or omissions deriving from incorrect or incomplete information transmitted by the Purchaser. It is the Purchaser's task to check the required technical characteristics by examining the working project transmitted for its approval before production begins.

3.6 With regard to Special Products, the Vendor may charge the Purchaser with the cost of preparing equipment for the manufacture of such articles. By paying the cost of the equipment the Purchaser acquires the right for the Vendor to use such equipment exclusively for the manufacture of the Special Products for the Purchaser. However, the Vendor remains the owner of the equipment. Should the Purchaser fail to issue orders for a year or a year has gone by from the last production batch with no further orders issued for the Special Products in question, the Purchaser shall lose the above-mentioned exclusive right and at the same time the Vendor shall be free to use the equipment for any reason whatsoever, including scrapping due to lack of use.

### 4. Retention of Title

4.1 The parties expressly agree that the Vendor shall maintain full ownership of the Products sold until the sum due has been fully settled. Therefore, the Purchaser acquires ownership only after paying the entire price agreed, as well as ancillary expenses, but assumes all risks after taking delivery, as per art. 1523 Italian Civil Code.

4.2 Before the entire price agreed has been paid, the Purchaser cannot let the Products be confiscated or seized without declaring the Vendor's ownership (immediately informing the latter) subject to the operation of the acceleration clause, if just one of the above-mentioned obligations is breached.

4.3 Until full payment of the price the Vendor may send its inspectors to examine the Products in the place where they are stored.

4.4 Where required, the Purchaser shall cooperate with the Vendor in fulfilling the formalities needed to ensure the effectiveness of this retention of title clause in the Purchaser's country.

### 5. Prices

5.1 Sales prices are calculated according to the supply terms agreed from time to time and are net of any VAT; they may also include any other charges and costs (e.g. transport costs) if indicated on the invoice.

Prices are calculated in Euro.

5.2 If production costs increase in the period between order confirmation or receipt of payment in the case of advance payment, and the scheduled date of delivery of the Products due to factors beyond the control of the Vendor, such as increases in the cost of raw materials, electricity and labour costs (e.g. collective wage agreements) or in the cost of other production factors, the price given in the offer may be reviewed at any time to take such variations into account. Subject to agreements relating to Special Products, either of the Parties may withdraw from the agreement if the Purchaser does not accept the price variations proposed by the Vendor, and the Purchaser shall have no right to damages, refunds or indemnities.

5.3 The Vendor reserves the right to change the prices in the price list at any time, with immediate effect and without notice. Variations to the price lists shall be applied to agreements entered into after the variation comes into effect.

### 6. Terms of Payment

6.1 Terms of payment are indicated in every order confirmation issued by the Vendor and sent to the Purchaser for each individual sales agreement.

6.2 Unless otherwise agreed, all payments shall be made to the Vendor by bank transfer to the bank indicated by the Vendor. Payments made to collection agents must be duly authorised.

6.3 Where payment by letter of credit has been agreed, such letter of credit shall be issued by a leading bank that adopts the Uniform Customs and Practice for Documentary Credit issued by the International Chamber of Commerce (ICC) in effect on the date the sales agreement is concluded.

6.4 Failure to pay all or part of the sales price on any established due date will give the Vendor the right to apply interest, without the need for formal notice, at the rate applied by the ECB to main refinancing operations, increased by eight percentage points, pursuant to art.4 Italian Legislative Decree No. 231 of 9 October 2002, which receives CE Directive 35/2000, until the date of settlement, subject to any other remedy in the Vendor's favour included in these General Conditions and/or law.

6.5 Failure to settle any sum within 14 (fourteen) days of the established due date gives the Vendor the right to suspend deliveries, also for different existing agreements and to terminate the sales agreement immediately, subject to the right to obtain damages, including the refund of legal expenses connected to credit recovery operations.

6.6 Payments are considered settled when they are actually credited to the Vendor's current account.

### 7. Product Delivery and Documentation

7.1 Products are delivered to the Purchaser according to the delivery terms agreed from time to time.

7.2 The Vendor shall provide the Purchaser with a Declaration of Performance (DOP) for the Products (where required under the terms of EU Regulation 305/11 and any later amendments and integrations and/or according to other statutory provisions) by publication on its website. A copy on paper may be sent to the Purchaser if requested in writing.

7.3 The Vendor shall provide packing according to the normal method in use.

7.4 As delivery terms agreed between the Parties are indicative, any delays cannot justify claims for refunds or order cancellation by the Purchaser. Any penalty clauses for delayed delivery shall have no effect on the Vendor. In the event of deferred payment, delivery terms shall begin from the date of order confirmation; in the event of payment in advance or by letter of credit, delivery terms shall begin from the date of payment or notice from the bank of the opening of a letter of credit in compliance with the Vendor's requirements. The Vendor reserves the right to make partial deliveries as and when the individual parts are ready for dispatch.

In any case, the Vendor shall have no liability for delayed deliveries due to force majeure, as per art. 10 hereof.

7.5 The Purchaser may apply to the Vendor in writing for collection and transport to be carried out by a courier or shipping agent on its behalf. Should the Vendor accept, the courier or shipping agent shall be considered directly appointed by the Purchaser, who shall be charged with all the risks and expenses involved.

7.6 From consignment of the Products to the first courier, notwithstanding the agreed delivery terms all the risks relating to the Products are transferred to the Purchaser, who shall also be charged with the costs of storage, custody and insurance, or whatever else.

7.7 For Special Products, unless otherwise agreed, the Vendor reserves the right to deliver goods 10% above or below the quantities ordered, due to technical and production needs.

### 8. Complaints on Delivery and Returns

8.1 The Purchaser shall carefully inspect the Products delivered as soon as possible after receiving them. Any complaints regarding packing, quantity or faulty parts, and in general all complaints regarding defects evident on delivery, shall be sent to the Vendor in writing (by registered letter with return receipt,

PEC, fax or email) no later than eight (8) days from receipt of the Products. With the Vendor's prior written authorisation the parts deemed to be faulty shall be returned in their original packing and the cost of transport and insurance charged to the Purchaser. The Purchaser shall specify the complaint in a separate note which indicates the date and number of the Vendor's invoice to which the returned parts refer. Failure to notify defects promptly and to return the faulty part (when authorised), shall cause the Purchaser to lose the right to claim for the above-mentioned defects.

8.2 Returned goods shall reach the Vendor properly packed and accompanied by a document which clearly states the details of the relative invoice for each individual product. Any returns the Vendor finds to have been tampered with or wrongly used will not be replaced or refunded and will be sent back to the Purchaser, who will be charged any expenses and risks. Returns of Special Products, discontinued articles or goods with defects for which the Vendor is not liable will not be accepted.

## 9. Guarantee

9.1 The Vendor guarantees that the Products sold have the essential qualities for the use to which they will be put, according to the Product technical specifications and order confirmation, and comply with Italian law as well as the applicable EU Standards and/or any other standards specified in the Vendor's offer. With reference to Products for which the Vendor provides a Declaration of Performance (DOP) pursuant to EU Regulation 305/2011, the Vendor guarantees the Product's conformity to the contents of such Declaration.

The above-mentioned guarantee covers all defects that appear in the Products as a result of normal use and that derive exclusively from defects in materials or workmanship extant before delivery.

The guarantee is issued to the Purchaser only and cannot be extended to successive purchasers of the Products, or third parties in general.

9.2 For the guarantee issued by the Vendor to be valid, the Purchaser shall scrupulously observe the indications in the installation instructions, if applicable, and in the Declaration of Performance (DOP) provided by the Vendor. The guarantee does not apply if the Purchaser is not up to date with payments, if it has not used the Products according to the above-mentioned instructions, if it has made alterations or tampered with the Products or used them for a purpose different from their intended use, or in all possible ways that cause damage or faulty operation due to the fault or negligence of the Purchaser, its employees and auxiliary workers or third parties in general, including incorrect installation or maintenance.

9.3 The Vendor's guarantee does not cover any damage due to wear caused by installation and use that does not comply with the terms of the Declaration of Performance (DOP) or the installation instructions. Neither does the Vendor's guarantee cover any damage due to incorrect storage of Products held entirely or partly in a warehouse by the Purchaser prior to installation, use or resale to end customers.

9.4 Subject to art.8 of these General Conditions (Complaints on Delivery and Returns), the Purchaser shall report any defects in the Products to the Vendor in writing within 8 (eight) days of their discovery. Such report shall be forwarded by fax or e-mail, followed by a registered letter with return receipt. Any report of defects shall specify precisely the defect found and the Products involved. Any other form of report is excluded, particularly those by word of mouth.

Failure to provide the above promptly will deprive the Purchaser of the right to invoke the Vendor's guarantee according to these General Conditions and/or law.

With prior authorisation, the faulty material shall be sent by the Purchaser to the Vendor's facilities for the necessary checks. Transport costs for authorised returns shall be paid by the Purchaser. The faulty parts will become the Vendor's property after replacement.

9.5 If the Vendor's inspection confirms the reported defect, the Vendor may exercise its incontestable judgement to replace the faulty Product or eliminate the defects. Faulty Products shall be replaced ex the Vendor's works.

9.6 The guarantee granted under the terms of this article 9 is the only, exclusive guarantee provided to the Purchaser and replaces every other form whatsoever of expressed or implicit guarantee, whether provided for by law or trade customs. The remedies granted to the Purchaser on the basis of these General Conditions shall be considered the only, exclusive remedies.

In addition, the Vendor's contractual and/or non-contractual liability for direct or indirect damage deriving from the Products supplied, or from any breach of contract by the Vendor, is also expressly excluded, except in the case of willful misconduct or gross negligence.

The Purchaser shall indemnify and hold harmless the Vendor from and against damage caused by elements of the Product supplied by the Purchaser (including, but not limited to, components, plans, etc.).

9.7 This agreement also expressly excludes the Purchaser's right to suspend or delay payments in the event of complaints; neither can the Purchaser independently reduce prices and/or offset sums owed by it for Product prices with amounts the Purchaser deems due to it for any reason.

## 10. Force Majeure

10.1 The Vendor shall not be liable to the Purchaser for breach of any clause in these General Conditions and/or sales agreement, if fulfilment is made impossible or excessively costly due to unpredicted events beyond its control. Such events include, by way of example but not limited to, the following: fires, floods, earthquakes, explosions, accidents, wars, uprisings, insurrections, sabotage, epidemics or pandemics, restrictions due to quarantine, strikes, labour shortages, transport stops, lack of electricity, raw materials, components

or machinery for the manufacture of the Products, natural events, acts by any public authority, including foreign, and significant increases in production costs.

10.2 If a force majeure impedes or delays delivery of the Products to the Purchaser, or the fulfilment of any one of the Vendor's other obligations for a period exceeding six (6) consecutive months, the Vendor shall have the right to terminate the sales agreement with no liability of any kind towards the Purchaser.

## 11. Distinguishing Marks on Products

11.1 The Purchaser undertakes not to delete or remove the Vendor's signs and other distinguishing or identification marks on the Products and/or on the Vendor's documents.

11.2 It is understood that neither these General Conditions nor individual sales agreements grant the Purchaser any rights whatsoever (e.g. licenses or other) to the Vendor's distinguishing marks. Any use by the Purchaser of the Vendor's distinguishing marks is prohibited, unless the Vendor authorises such use in writing.

## 12. Termination of Sales Agreement

The Vendor has the right to immediately terminate the sales agreement entered into on the basis of these General Conditions, and in the cases expressly provided for in these Conditions and applicable regulations, if the Purchaser's economic situation changes in such a way as to compromise its ability to meet its obligations or if the Purchaser is, for example, put into liquidation, insolvency or subjected to other bankruptcy procedures.

In such case, the Vendor shall have the right to require full settlement of any sums still due from the Purchaser.

## 13. Industrial and Intellectual Property Rights

13.1 Unless the Parties have agreed otherwise in writing, the Vendor is and remains the exclusive owner of all industrial and intellectual property rights connected with the Products supplied, including their single parts, documentation and material prepared in executing the agreement (e.g. drawings, graphs, plans, samples, files, and other material developed to provide design services).

13.2 In any case, the Vendor shall keep the only and exclusive ownership of every and any pre-existing industrial property developed by the Vendor before entering into the agreement with the Purchaser, as well as all the industrial property the Vendor may develop at any time later without using the Purchaser's confidential information or industrial property.

13.3 Each party shall protect the other in the event of breaches of third party's industrial and intellectual property rights, on the understanding that the party responsible for the breach is immediately informed in writing by the other party. If final judgement finds that due to the Vendor's fault the Product breaches the rights of third parties, the Vendor may choose whether to replace, alter or withdraw the Product with no further liability.

## 14. Confidentiality

Any information provided by the Vendor to the Purchaser with reference to a sales agreement or potential sale shall be considered at all times strictly confidential, whatever the way or means in which the information is provided. The Purchaser may use such information for the sole purpose of assessing or fulfilling a sales agreement with the Vendor, with the exclusion of any other purpose. The Purchaser may not reveal or disclose any such information to third parties, with the exception of a limited number of its employees or consultants who necessarily need to have it.

## 15. Severability

If any one of the clauses in these General Conditions is considered invalid or ineffective, such invalidity or ineffectiveness shall not compromise the validity of the other clauses, which shall continue to be valid.

## 16. Incoterms

Unless otherwise agreed in writing, any delivery terms agreed between the Vendor and Purchaser shall be interpreted pursuant to the International Chamber of Commerce (ICC) INCOTERMS in force on the date of the sales agreement.

## 17. Applicable law

These General Conditions and any sales agreement entered into in compliance with them are regulated by Italian law.

## 18. Jurisdiction and Competent Court

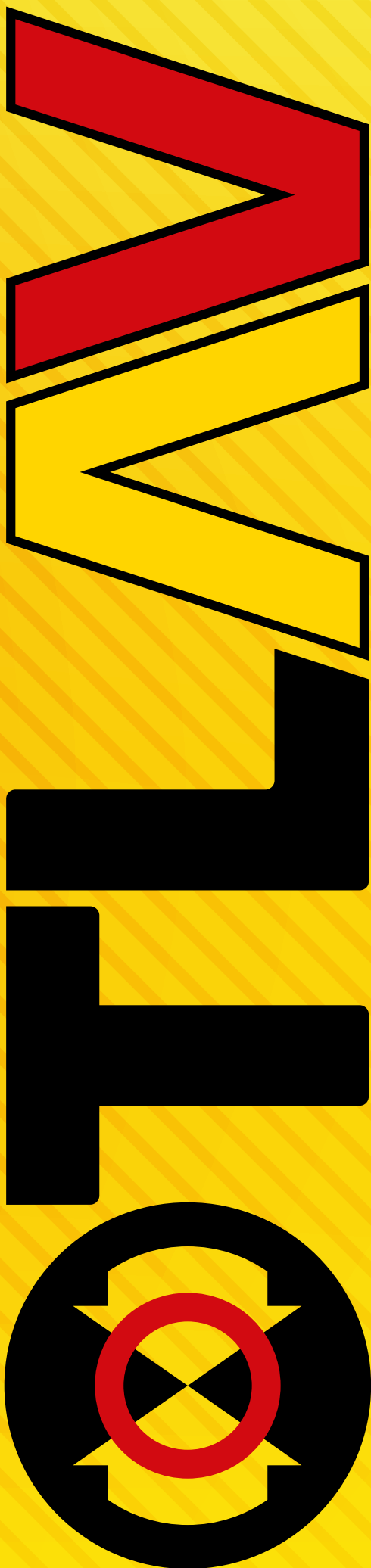
18.1 Any controversy arising from these General Conditions and/or from sales agreements entered into pursuant to them shall fall under Italian jurisdiction and the Court of Treviso shall have exclusive competence.

18.2 Waiving art.18.1, it is agreed that as an alternative to the above, and at its sole discretion, the Vendor shall have the right to sue the Purchaser in the competent Court in the latter's jurisdiction.









**OTLAV S.p.A**  
Via Angelo Padovan 2  
31025 Santa Lucia di Piave (TV) - Italy  
tel. +39 0438 4611 - fax +39 0438 439252  
[www.otlav.it](http://www.otlav.it) - [info@otlav.it](mailto:info@otlav.it)